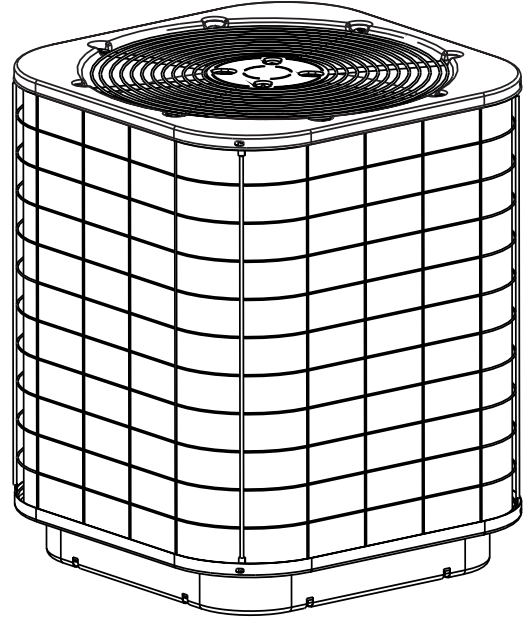

TECHNICAL SPECIFICATIONS

S3QC Series Extra High Efficiency Air Conditioner 12+ SEER Manufactured Structure System 2-4 Ton Capacity 23,600-45,000

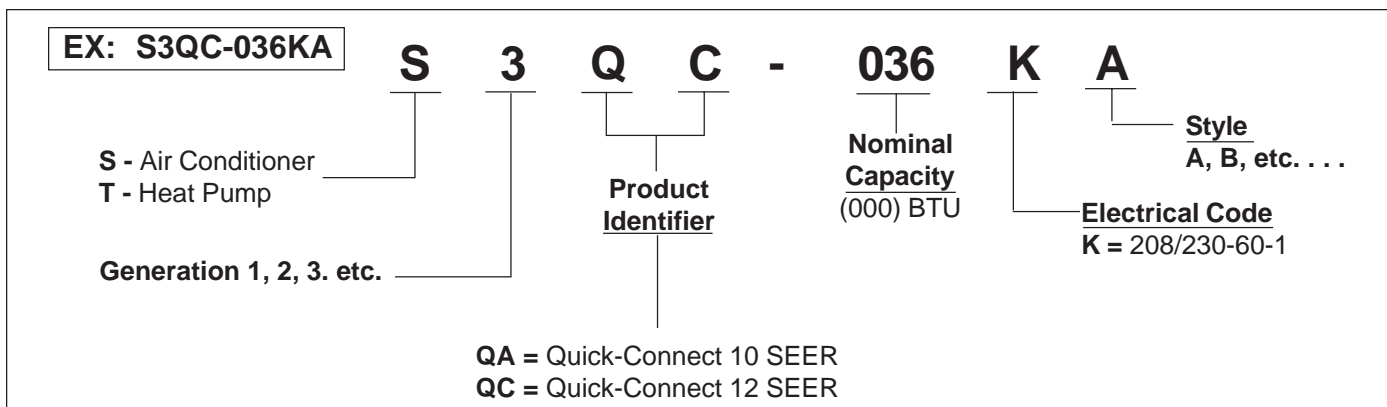
The S3QC Series of air conditioners offers exceptional performance from a small, compact package. The unit, when combined with our engineered matched indoor coils, offer a full line of quality, split-system air conditioners. Units are ideally sized for manufactured housing applications.



FEATURES and BENEFITS

- **Designed using galvanized steel** – with a polyester urethane finish. The 950 hour salt spray finish resists corrosion 50% better than comparable units.
- **Copper Tube / Aluminum Fin Coils** – Both indoor and outdoor coils are designed to optimize heat transfer, minimize size and cost, and increase durability and reliability.
- **Permanently Lubricated Motor** – A heavy duty PSC motor for long lasting reliability and quiet operation.
- **Plastic Coated Coil Guard** – A wire guard that will never rust and protects the units coil from being damaged by balls, lawnmowers, etc.
- **Removable Top Grille Assembly** – Allows ease of service from the top without disconnecting fan motor leads.
- **One Piece Top/Orifice** – Designed for maximum airflow and quiet operation.
- **Hail Guard** – Plastic mesh protects coil from hail damage.
- **2-1/2" Pedestal Base** – The sturdy base keeps the bottom of the coil out of harms way. Secondly, the base has weep holes along the edge to allow the water from rain to flow away from the unit.
- **Easy Compressor and Control Access** – Designed to make servicing easier for the contractor, access panels are provided to all controls and the compressor from the side of the unit.
- **1 Year Limited All Parts Warranty** – The best in the industry and has proven to be a major benefit to the consumer.
- **Crankcase Heat** – Protection from liquid flood back and future compressor failures (not required on scroll compressor models).

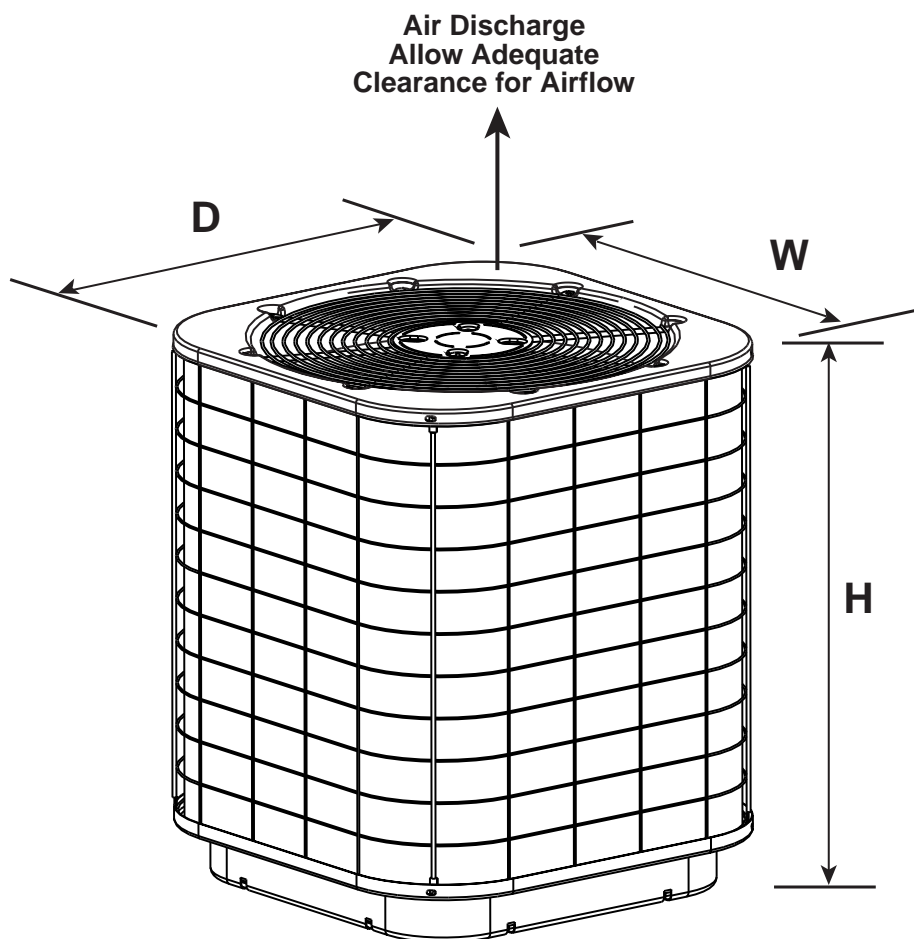
MODEL IDENTIFICATION CODES



DIMENSIONS

AIR CONDITIONER OUTDOOR SECTION

S3QC	024K	030K	036K	042K	048K
H	26 1/2	30 1/2	34 1/2	30 1/2	34 1/2
W	22 1/2	22 1/2	22 1/2	30 1/2	30 1/2
D	22 1/2	22 1/2	22 1/2	30 1/2	30 1/2



PHYSICAL AND ELECTRICAL SPECIFICATIONS / OUTDOOR UNITS

12 SEER — Extra High Efficiency — Single Phase

Model Number S3QC-		024	030	036	042	048	
Electrical Data	Volts-Cycles-Phase (1)	208/230-60-1	208/230-60-1	208/230-60-1	208/230-60-1	208/230-60-1	
	Total Amps	12.8	14.7	17.8	19.8	21.8	
	Delay Fuse Max. (2)	25	30	35	40	45	
	Min. Circuit Ampacity	15.8	18.1	21.9	24.4	26.9	
Condenser Data	Coil	Area	9.9	11.5	13.2	17.7	20.3
		Rows-FPI	1-18	1-22	1-22	1-22	1-22
		Tube Dia	3/8" O.D.	3/8" O.D.	3/8" O.D.	3/8" O.D.	3/8" O.D.
	Fan Motor	Type	PSC	PSC	PSC	PSC	PSC
		Amps	0.67	1.1	1.4	1.4	1.4
	Fan Blade	Watts-HP	74.6 - 1/10	93.3 - 1/8	186.5 - 1/4	186.5 - 1/4	186.5 - 1/4
		Dia-# Blades	18"- 3	18"- 3	18"- 4	24"- 3	24"- 3
	Compressor Data	SCFM	1980	2345	2800	4000	4000
RLA		12.1	13.6	16.4	18.4	20.4	
Refrigerant suction line O.D. (all length of liquid line are 3/8" O.D.)	0-24 ft.	3/4"	3/4"	3/4" (4)	7/8"	7/8"	
	25-39 ft.	3/4"	3/4"	7/8"	7/8"	7/8"	
	40-75 ft.	3/4"	3/4"	7/8"	7/8"	7/8"	
Refrigerant charge (R-22) in ounces for outdoor unit, indoor unit and 15' lineset.		63	68	82	102	110	
Weight	Net	103.5	128	142	174	186	
Approximate (lbs.)	Ship	112.5	137	151	186	198	

Values shown are most severe and may vary slightly depending on the make of the compressor supplied.

- (1) Operating voltage range: 187V minimum - 253 V maximum
- (2) HACR type circuit breakers may be used
- (3) Requires 3/4" to 5/8" reducer from unit to lineset.
- (4) Requires 7/8" to 3/4" reducer from unit to lineset.
- (5) Requires 1-1/8" to 7/8" reducer from unit to lineset.

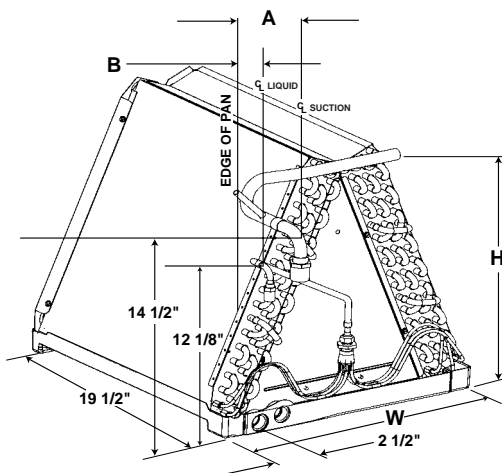


Figure 1 C3QA COIL

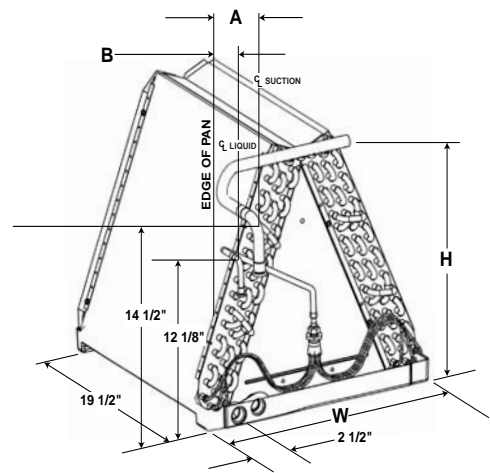


Figure 2 C3DA COIL

Model C3QA/C3DA Coil		024U-B	030U-B	036U-B	042U-B	047U-B	048U-B	055U-B
Face Area (ft ²)		4.18	4.18	4.18	4.18	4.18	5.12	4.18
Rows		2	2	3	3	3	2	4
Fins per inch		12	15	10	10	12	12	10
Refrigerant Flow Control		Fixed Orifice						
12 SEER orifice		.060	.063	.065	.075	.077	.077	.082
Nominal Airflow (cfm)		800	1000	1200	1400	1400	1500	1400
Pressure Drop at Nominal Airflow (in w.c.)		0.10	0.12	0.21	0.30	0.30	0.30	0.30
Dimensions: (inches)	Width (W)	18-1/8	18-1/8	18-1/8	18-1/8	18-1/8	18-1/8	18-1/8
	Height (H)	19-1/2	19-1/2	19-1/2	19-1/2	19-1/2	23-3/4	19-1/2
	A	3-1/4	3-1/4	3-1/4	3-1/4	3-1/4	3-1/4	3-1/4
	B	1-3/4	1-3/4	1-3/4	1-3/4	1-3/4	1-3/4	1-3/4
Coil Conversion Kit (Includes Filters)		914539	914539	914539	914539	914539	917446	914539

Coils built with 10 Seer Orifice.

SYSTEM HEATING & COOLING CAPACITIES

12 SEER — Extra High Efficiency — Single Phase

Outdoor Unit S3QC-	Indoor Unit Number C3QA-	Cooling BtuH	SEER	Required Indoor Orifice
024KA	030	23,600	12	0.060 (2)
030KA	036	28,600	12	0.065 (2)
036KA	042	34,600	12	0.075 (1)
042KA	048	40,000	12	0.077 (2)
048KA	055	45,000	12	0.082 (2)

*Requires Fan Delay Kit 911758.

(1) Supplied with indoor coil.

(2) Field Supplied.

See Current ARI Directory for certified combinations and ratings.

ACCESSORIES - Condensing Unit

Start Assist Kit - 912933

Provides additional starting torque for the compressor motor when operating with low line voltage or high operating temperatures.

Fan Delay Kit

911758 - 80-second fan delay

COPPER WIRE SIZE — AWG (1% Voltage Drop)				
Supply Wire Length-Feet				Supply Circuit
200	150	100	50	Ampacity
6	8	10	14	15
4	6	8	12	20
4	6	8	10	25
4	4	6	10	30
3	4	6	8	35
3	4	6	8	40
2	3	4	6	45
2	3	4	6	50

Wire Size based on N.E.C. for 60° type copper conductors.



CERTIFICATION APPLIES ONLY
WHEN THE COMPLETE
SYSTEM IS LISTED
WITH ARI