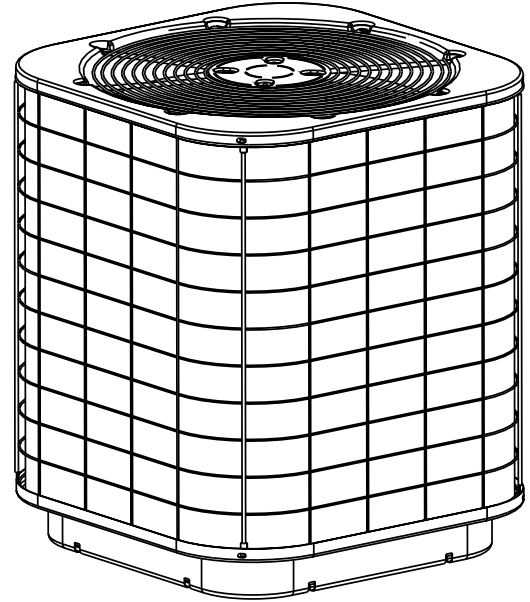

TECHNICAL SPECIFICATIONS

T3QC Series Extra High Efficiency Heat Pumps 12 SEER Manufactured Structure System 2 - 4 Ton Capacity

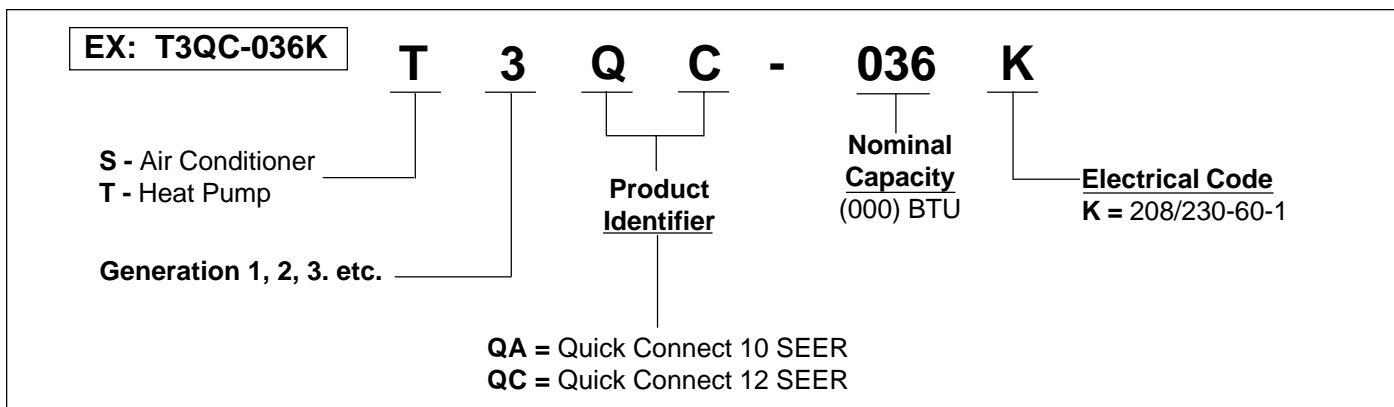
The T3QC Series of heat pumps offers exceptional performance from a small, compact design. The heat pump, when combined with our engineered matched indoor coils, offer a full line of quality, split-system heat pumps. Units are ideally sized for manufactured housing applications.

FEATURES and BENEFITS

- **Designed using galvanized steel** – with a polyester urethane coat finish. The 950 hour salt spray finish resists corrosion 50% better than comparable units.
- **Copper Tube / Aluminum Fin Coils** – Both indoor and outdoor coils are designed to optimize heat transfer, minimize size and cost, and increase durability and reliability.
- **Permanently Lubricated Motor** – A heavy duty PSC motor for long lasting reliability and quiet operation. Requires no maintenance and is completely protected from rain and snow.
- **Plastic Coated Coil Guard** – A wire guard that will never rust and protects the units coil from being damaged by balls, lawnmowers, etc.
- **Time / Temperature Defrost** – A reliable, industry standard control offers various time settings to meet any type climate.
- **Removable Top Grille Assembly** – Allows ease of service from the top without disconnecting fan motor leads.
- **One Piece Top/Orifice** – Designed for maximum airflow and quiet operation.
- **Hail Guard** – Plastic mesh protects coil from hail damage.
- **Common Suction Service Port** – This port allows the contractor to read the suction pressure in all modes of operation without removing any panels, saving time and increasing serviceability.
- **2-1/2" Pedestal Base** – The sturdy base keeps the bottom of the coil out of harms way. Secondly, the base has weep holes along the edge to allow the water from the defrosting coil and rain to flow away from the unit.
- **Five Minute Restart Time Delay** – When the unit shuts down, a five minute delay keeps the unit from restarting, eliminating the highest cause for compressor failure.
- **Suction Accumulator** – Protection from liquid flood back and future compressor failures. All 12 seer H.P. have scroll compressors.
- **Hot Gas Muffler** – Reduces compressor noise and vibration.
- **Easy Compressor and Control Access** – Designed to make servicing easier for the contractor, access panels are provided to all controls and the compressor from the side of the unit.

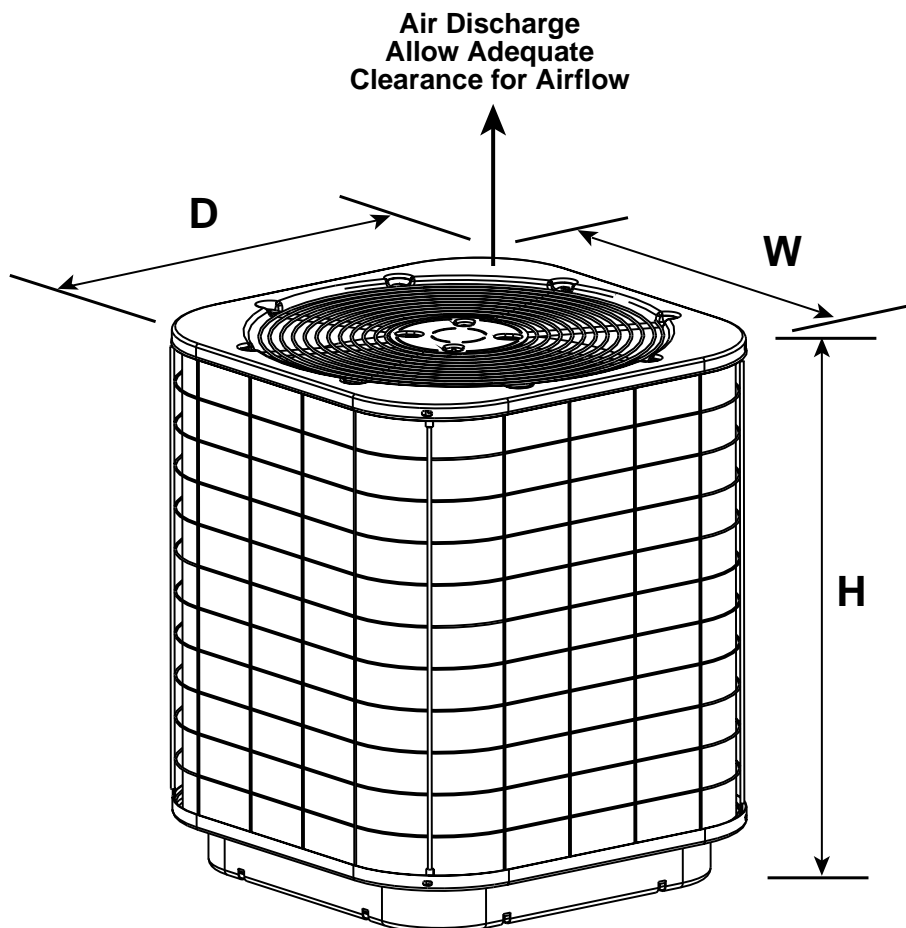


MODEL IDENTIFICATION CODES



DIMENSIONS HEAT PUMP OUTDOOR SECTION

T3QC	024	030	036	042	048
H	30 1/2	34 1/2	38 1/2	42 1/2	38 1/2
W	30 1/2	30 1/2	30 1/2	30 1/2	30 1/2
D	30 1/2	30 1/2	30 1/2	30 1/2	30 1/2



PHYSICAL AND ELECTRICAL SPECIFICATIONS / OUTDOOR UNITS

12 SEER — High Efficiency — Single Phase

Model No. T3QC		024	030	036	042	048	
Electrical	Volts-Cycles-Phase	208/230-60-1	208/230-60-1	208/230-60-1	208/230-60-1	208/230-60-1	
Data	Total Amps	11.6	13.6	17.4	19.4	20.7	
	Delay Fuse Max.	20	25	35	40	40	
	Min. Circuit Ampacity	14.2	16.6	21.4	23.9	25.5	
Component Data	Coil	Area	17.9	20.4	23.0	25.5	23.0
		Rows-FPI	1-18	1-18	1-20	1-20	2-16
		Tube Dia.	3/8 O.D.	3/8 O.D.	3/8 O.D.	3/8 O.D.	3/8 O.D.
	Fan Motor	Type	PSC	PSC	PSC	PSC	PSC
		Amps	1.4	1.4	1.4	1.5	1.5
		Watts-HP	245	245	245	300	300
	Fan Blade	Dia.-#Blades	24 in. - 3	24 in. - 3	24 in. - 3	24 in. - 3	24 in. - 3
		SCFM	3300	3300	3300	4000	4000
	Compressor	RLA	10.2	12.2	16.0	17.9	19.2
		LRA	56	67	88	104	137
Refrigerant Suction Line-Length/O.D. (Liq. Line All Lengths - 3/8" O.D.)		15-24 ft.	3/4"	3/4"	3/4"	7/8"	
		25-39 ft.	3/4"	3/4"	3/4"	7/8"	
		40-75 ft.	3/4"	3/4"	7/8"	7/8"	
Refrigerant Ch (Outdoor unit, Indoor Unit, 15' Line Set)							
R-22 Ounces		112	133	146	162	240	
Weight Approximate (lbs.)	Net	170	178	188	204	253	
	Ship	182	190	200	216	265	

Values shown are most severe and may vary slightly depending on the make of the compressor supplied.
 Operating Voltage Range: 198v min. — 253v max.
 HACR Type Circuit Breakers may be used.

ACCESSORIES - Condensing Unit

Start Assist Kit - 912933

Provides additional starting torque for the compressor motor when operating with low line voltage or high operating temperatures.

Thermostat

Two thermostats are available. Both are offered for two-stage heat and one-stage cool application.

912929 - Has choice of automatic/manual changeover.

912930 - Is manual changeover only.

Outdoor Thermostat - 913235

Two-stage logic provides ability to lock out electric strips down to balance point and bring on in stages.

Snow Stand

Plastic-coated, molded wire stand which elevates units 7-1/4" above ground level.

913145 - (024 through 048) Shipped six (6) per box.

COPPER WIRE SIZE — AWG (1% Voltage Drop)				
Supply Wire Length-Feet				Supply Circuit
200	150	100	50	Ampacity
6	8	10	14	15
4	6	8	12	20
4	6	8	10	25
4	4	6	10	30
3	4	6	8	35
3	4	6	8	40
2	3	4	6	45
2	3	4	6	50

Wire Size based on N.E.C. for 60° type copper conductors.

Fan Delay Kit (TDR)

911758 - 80-second fan delay.

Liquid Line Solenoid (LLS) Kit - 912650

SYSTEM HEATING & COOLING CAPACITIES

12 SEER — Extra High Efficiency — Single Phase

Outdoor Unit	Indoor Unit					
Model Number	Model Number	Cooling Btuh	SEER	Heating Btuh@47°	HSPF	Required Indoor Orifice
T3QC-024K	C3QA-030U-B	24,000	12.0	22,400	7.2	0.065
T3QC-030K	C3QA-036U-B	28,600	12.0	28,400	7.6	0.069
T3QC-036K	C3QA-042U-B	34,600	12.0	34,600	7.6	0.077
T3QC-042K	C3QA-048U-B	41,000	12.0	40,500	7.6	0.085
T3QC-042K	C3QA-055U-B	41,500	12.0	41,000	7.6	0.085
T3QC-048K	*C3QA-055U-B	46,000	12.0	46,000	7.6	0.093

*Requires LLS Kit.



EPA POLLUTION PREVENTER

As an Energy Star Partner, NORDYNE has determined that our selected products meet the Energy Star guidelines for energy efficiency.

We Encourage Professionalism



Through Technician Certification by NATE



CERTIFICATION APPLIES ONLY WHEN THE COMPLETE SYSTEM IS LISTED WITH ARI

061A-0202 (Replaces 061A-0300)

Before purchasing this appliance, read important energy cost and efficiency information available from your retailer. Specifications and illustrations subject to change without notice and without incurring obligations. Printed in U.S.A. (02/02)