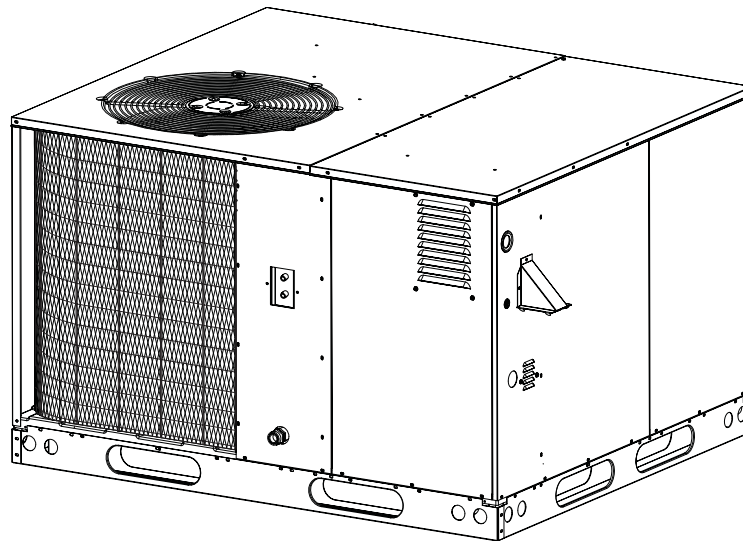


R4GD Series

R4GD 13 SEER 2 - 5 Ton Units

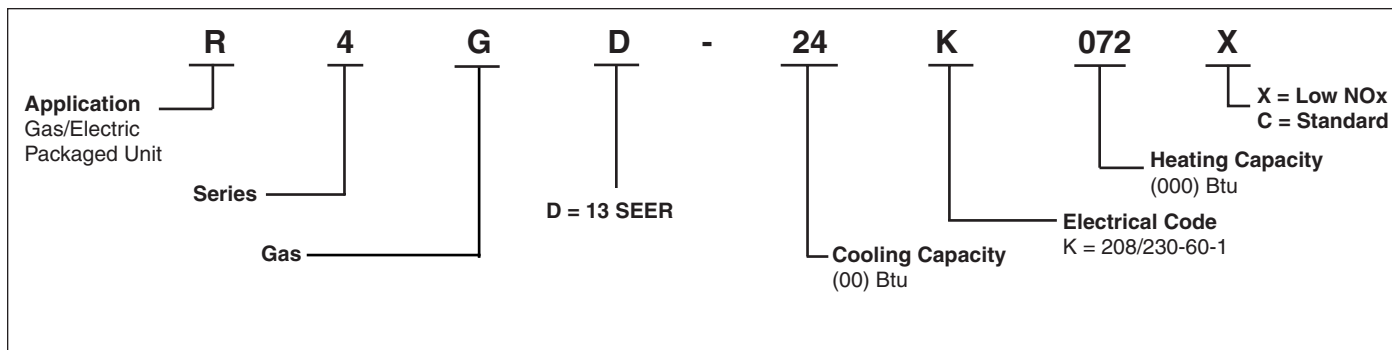
The R4GD Series single packaged gas/electrics are high efficiency self contained cooling units that can be installed on the roof or on a slab. The convertible unit design makes installations simple in all applications. Units are ETL and ETLc listed.



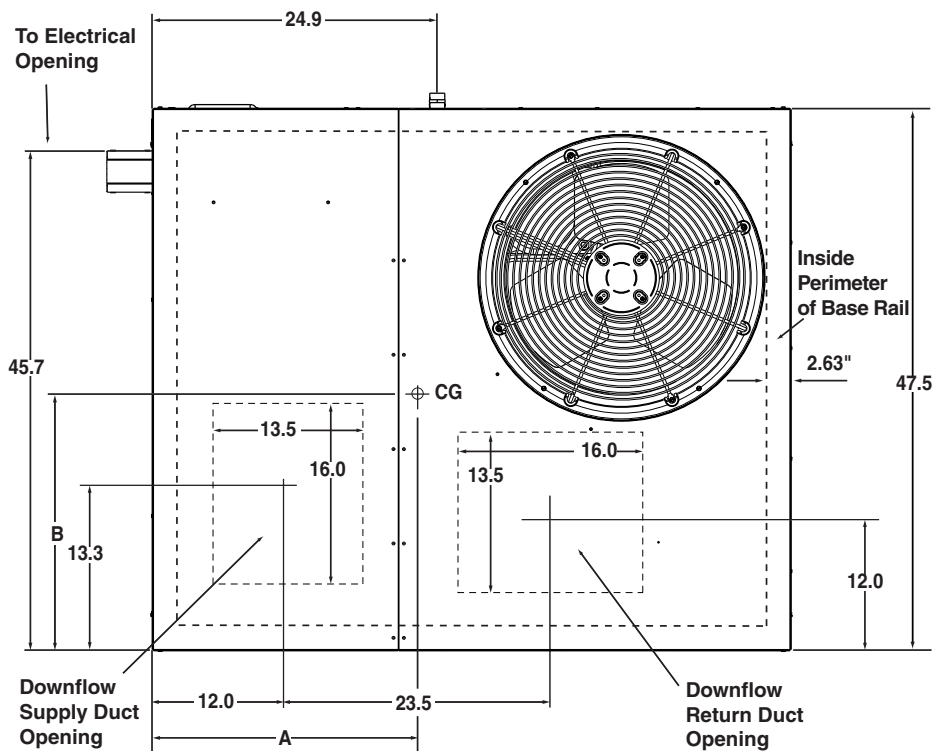
FEATURES AND BENEFITS

- **Compact Footprint/Low Profile**
Easy to handle and transport.
- **Heavy-Gauge, Full Perimeter Base Rails**
Facilitates forklift handling and curb mounting.
- **Convertible Air Delivery**
Horizontal or downflow to accommodate rooftop or horizontal application.
- **Galvanized Steel Cabinet**
with polyurethane finish provides 950 hour salt spray protection to resist corrosion.
- **Plastic Coated Coil Guard and Mesh Hail Guard**
Will never rust and protect the coil from being damaged by balls, lawnmowers, hail etc.
- **Accessible Service Ports**
Quick access to refrigerant system without disrupting operation.
- **Access to Controls and Major Components**
Easy in and out service.
- **Corrosion-Resistant Drain Pan**
Quickly drains away evaporator condensate.
- **Smaller Panels, Great Fit and Finish, Total Seal**
Well-designed, quality construction. Drip edge on top panels whisks away rainwater. Embossed bottom pan keeps blower component compartment dry.
- **Proven, Industry Standard Components**
Easier service and availability.
- **Quiet Operation**
Low vibration. 20" fan blade combined with custom venturi condenser fan.
- **5 Year Limited Parts Warranty**
- **2 Year Limited Labor Warranty**
- **15 Year Limited Heat Exchanger Warranty**
- **2 Year Mileage**

MODEL IDENTIFICATION CODE



DIMENSIONS

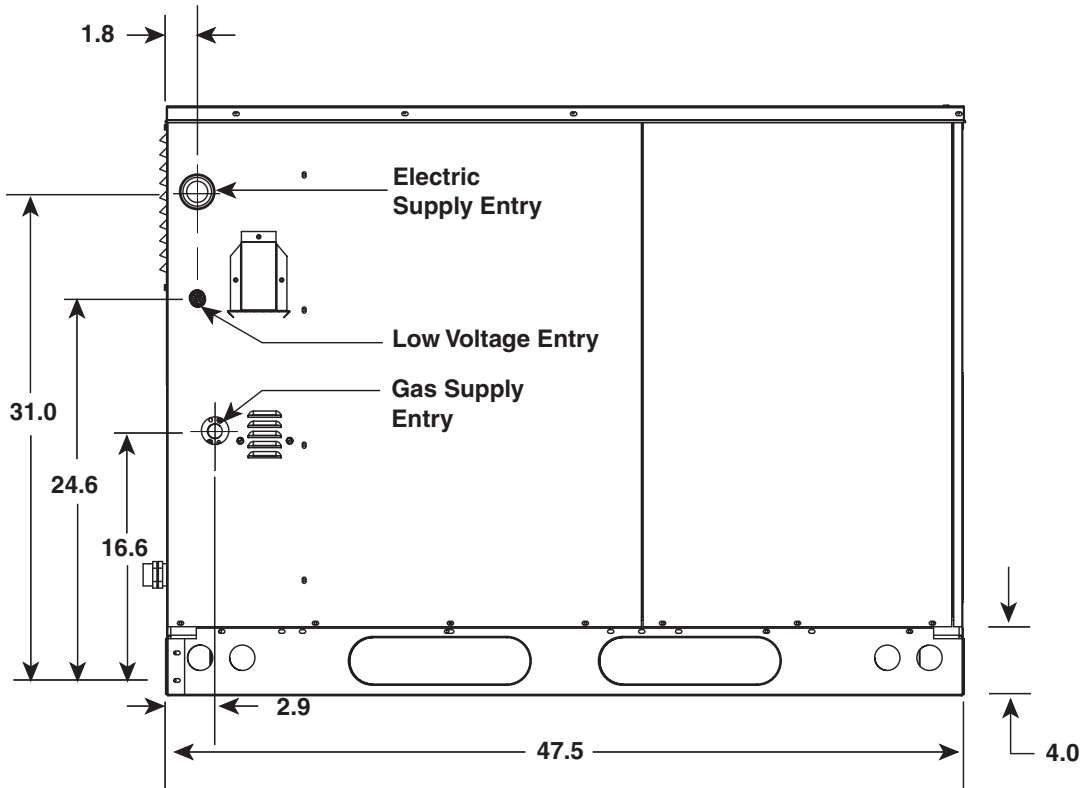


Top View

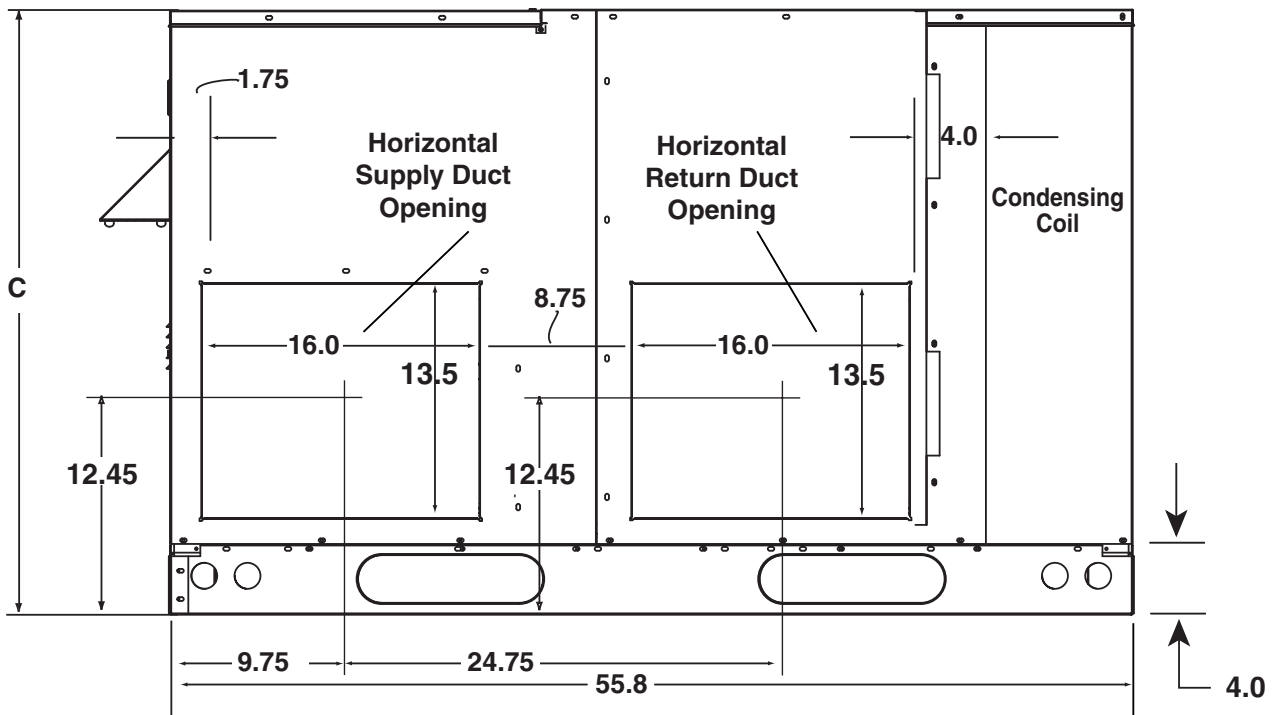
Model Number	Unit Weight	Shipping Weight	Center of Gravity		Height (in inches)	
			A	B	C	
					with base rails	without base rails
024K045†	425	435	26.5	26.5	39.0	35.3
024K072†	435	445	26.0	26.5	39.0	35.3
030K045†	430	440	26.5	26.5	39.0	35.3
030K072†	440	450	26.0	26.5	39.0	35.3
036K072†	470	480	26.5	26.5	39.0	35.3
036K096†	485	495	26.0	26.5	39.0	35.3
042K072†	500	510	27.0	26.5	39.0	35.3
042K096†	515	525	27.0	26.5	39.0	35.3
048K096†	540	550	27.5	26.5	43.0	39.3
048K120†	555	565	27.5	26.5	43.0	39.3
060K096†	560	570	27.5	26.5	43.0	39.3
060K120†	575	585	27.5	26.5	43.0	39.3

† Denotes either "C" or "X"

DIMENSIONS (Continued)



Side View



Back View

SPECIFICATIONS AND ELECTRICAL DATA

SINGLE PHASE

MODEL R4GD	-024K045(*)	-024K072(*)	-030K045(*)	-030K072(*)	-036K072(*)	-036K096(*)	-042K72(*)	-042K96(*)	-048K96(*)	-48K120(*)	-060K096(*)	-060K120(*)
Performance												
Heating Input Btuh	45,000	72,000	45,000	72,000	72,000	96,000	72,000	96,000	96,000	120,000	96,000	120,000
Heating Output Btuh	35,000	56,000	35,000	56,000	56,000	75,000	56,000	75,000	75,000	94,000	75,000	94,000
Capacity-Cooling Btuh	23,000	23,000	28,000	28,000	35,000	35,000	40,000	40,000	46,000	46,000	55,000	55,000
AFUE	78	78	78	78	78	78	78	78	78	78	78	78
Efficiency -- SEER	13.00	13.00	13.00	13.00	13.00	13.00	13.00	13.00	13.00	13.00	13.00	13.00
Efficiency -- EER	11.4	11.4	11.0	11.0	10.9	10.9	11.0	11.0	10.5	10.5	10.3	10.3
Electrical Rating - 60 Hz												
Phase	1	1	1	1	1	1	1	1	1	1	1	1
Operating Voltage Range	187 - 253	187 - 253	187 - 253	187 - 253	187 - 253	187 - 253	187 - 253	187 - 253	187 - 253	187 - 253	187 - 253	187 - 253
Minimum Circuit Ampacity	20.00	20.00	25	25	25.5	25.5	34.1	34.1	35.8	35.8	42.5	42.5
Max. Overcurrent Protection	30	30	40	40	40	40	50	50	50	50	70	70
Compressor Data												
Volts	208 / 230	208 / 230	208 / 230	208 / 230	208 / 230	208 / 230	208 / 230	208 / 230	208 / 230	208 / 230	208 / 230	208 / 230
Rated Load Amps	11.6	11.6	15.7	15.7	16	16	21.5	21.5	22.5	22.5	28.2	28.2
Lock Rotor Amps	54	54	68	68	77	77	104	104	137	137	141	141
Indoor Blower												
Wheel Diameter	10 x 10	10 x 10	10 x 10	10 x 10	10 x 10	10 x 10	10 x 10	10 x 10	10 x 10	10 x 10	10 x 10	10 x 10
Motor Type	Fixed Torque	Fixed Torque	Fixed Torque	Fixed Torque	Fixed Torque	Fixed Torque	Fixed Torque	Fixed Torque	Fixed Torque	Fixed Torque	Fixed Torque	Fixed Torque
Motor HP	1/2	1/2	1/2	1/2	1/2	1/2	3/4	3/4	3/4	3/4	3/4	3/4
Motor Amps	4.1	4.1	4.1	4.1	4.1	4.1	6.0	6.0	6.0	6.0	6.0	6.0
Outdoor Fan												
Motor HP	1/4	1/4	1/8	1/8	1/4	1/4	1/4	1/4	1/4	1/4	1/4	1/4
Motor Amps	1.2	1.2	1.2	1.2	1.2	1.2	1.2	1.2	1.2	1.2	1.2	1.2
Fan Diameter/CFM	20" / 3500	20" / 3500	20" / 3500	20" / 3500	20" / 3500	20" / 3500	20" / 3500	20" / 3500	20" / 3500	20" / 3500	20" / 3500	20" / 3500
Refrigerant Charge (oz)	89.6	89.6	93.4	93.4	100	100	192	192	216	216	188.8	188.8

* Can be either C or X

AIRFLOW DATA

Model Number (*JR4GD-	Heating Input (BTUh)	Heating Output (BTUh)	Heating Rise Range(F)	Cooling Output (BTUh)	Motor Tap	Blower Size	Motor HP	External Static Pressure (Inches Water Column)																			
								0.1		0.2		0.3		0.4		0.5		0.6		0.7		0.8					
								CFM	Rise	CFM	Rise	CFM	Rise	CFM	Rise	CFM	Rise	CFM	Rise	CFM	Rise	CFM	Rise	CFM	Rise		
24K045(†)	45,000	35,000	30-60	23,000	T1	10 X 10	1/2	845	38	735	44	625	52	540	60	453	72	375	--	217	--	207	--				
								905	36	830	39	590	43	690	47	635	51	515	56	515	55	495	--	495	--		
								950	34	880	37	810	40	755	43	705	46	665	49	600	54	600	54	600	54	570	57
								1110	--	1065	--	1020	32	965	34	910	36	865	37	825	39	790	41	750	39	730	41
								1260	--	1215	--	1125	--	1075	--	1025	--	935	30	1030	31	990	33	960	33	960	34
24K072(†)	72,000	56,000	40-70	23,000	T1	10 X 10	1/2	845	57	735	62	625	50	540	60	453	72	375	--	217	--	207	--				
								905	55	880	59	810	64	755	69	705	57	665	60	600	60	600	60	570	--		
								950	47	1065	49	1020	51	965	54	910	57	865	54	825	57	790	57	750	57	730	66
								1110	41	1215	43	1175	44	1125	46	1075	48	1030	50	990	52	960	52	960	52	960	54
								1260	41	1215	43	1175	44	1125	46	1075	48	1030	50	990	52	960	52	960	52	960	54
30K045(†)	45,000	35,000	30-60	28,000	T1	10 X 10	1/2	845	38	735	44	625	52	540	60	453	72	375	--	217	--	207	--				
								905	36	830	39	590	43	690	47	635	51	515	56	515	55	495	--	495	--		
								950	34	880	37	810	40	755	43	705	46	665	49	600	54	600	54	570	57	570	57
								1110	--	1065	30	1020	32	965	34	910	36	865	37	825	39	790	41	750	39	730	41
								1260	--	1215	--	1125	--	1075	--	1025	--	935	30	1030	31	990	33	960	33	960	34
30K072(†)	72,000	56,000	40-70	28,000	T1	10 X 10	1/2	845	61	735	--	625	--	540	--	453	--	375	--	217	--	207	--				
								905	57	830	62	750	69	690	--	635	--	575	--	515	--	495	--	495	--		
								950	55	880	59	810	64	755	69	705	--	665	60	600	--	600	--	570	--		
								1110	47	1065	49	1020	51	965	54	910	57	865	54	825	57	790	57	750	57	730	66
								1260	41	1215	43	1175	44	1125	46	1075	48	1030	50	990	52	960	52	960	52	960	54
36K072(†)	72,000	56,000	40-70	35,000	T1	10 X 10	1/2	950	55	880	59	810	64	755	69	705	--	665	60	600	--	600	--				
								1110	47	1065	49	1020	51	965	54	910	57	865	54	825	57	790	57	750	57	730	66
								1260	41	1215	43	1175	44	1125	46	1075	48	1030	50	990	52	960	52	960	52	960	54
								1345	--	1300	40	1250	41	1210	43	1170	44	1120	46	1070	48	1030	50	990	52	960	54
								1410	37	1330	39	1290	41	1250	43	1210	45	1170	46	1130	48	1090	50	1050	52	1010	54
36K096(†)	96,000	75,000	45-75	35,000	T1	10 X 10	1/2	1020	51	940	55	860	60	800	65	740	70	680	75	620	80	560	85	500	90		
								1185	44	1110	47	1035	50	980	53	925	56	875	59	825	63	775	67	725	71	675	75
								1410	37	1330	39	1290	41	1250	43	1210	45	1170	46	1130	48	1090	50	1050	52	1010	54
								1525	--	1450	--	1370	--	1320	--	1270	41	1210	43	1150	45	1100	47	1050	49	1000	51
								1650	--	1585	--	1520	--	1465	--	1405	--	1340	--	1280	41	1235	42	1180	44	1130	46
42K072(†)	72,000	56,000	40-70	40,000	T1	10 X 10	3/4	1020	68	940	74	860	80	800	85	740	90	680	95	620	100	560	105	500	110		
								1185	59	1110	63	1035	67	980	71	925	75	875	79	825	83	775	87	725	91	675	95
								1410	49	1330	41	1290	43	1250	45	1210	47	1170	49	1130	51	1090	53	1050	55	1010	57
								1525	--	1450	--	1370	--	1320	--	1270	41	1210	43	1150	45	1100	47	1050	49	1000	51
								1650	--	1585	--	1520	--	1465	--	1405	--	1340	--	1280	41	1235	42	1180	44	1130	46
42K096(†)	96,000	75,000	45-75	40,000	T1	10 X 10	3/4	1185	59	1110	63	1035	67	980	71	925	75	875	79	825	83	775	87	725	91		
								1410	49	1330	41	1290	43	1250	45	1210	47	1170	49	1130	51	1090	53	1050	55	1010	57
								1525	--	1450	--	1370	--	1320	--	1270	41	1210	43	1150	45	1100	47	1050	49	1000	51
								1650	--	1585	--	1520	--	1465	--	1405	--	1340	--	1280	41	1235	42	1180	44	1130	46
								1775	--	1715	--	1650	--	1600	--	1540	--	1480	--	1420	43	1365	44	1305	45	1245	46
48K096(†)	96,000	75,000	45-75	46,000	T1	10 X 10	3/4	1185	73	1110	77	1035	81	980	85	925	89	875	93	825	97	775	101	725	105		
								1410	49	1330	41	1290	43	1250	45	1210	47	1170	49	1130	51	1090	53	1050	55	1010	57
								1525	46	1450	48	1370	51	1320	55	1270	59	1210	63	1150	67	1100	71	1050	75	1000	79
								1650	--	1585	--	1520	--	1465	--	1405	--	1340	--	1280	41	1235	42	1180	44	1130	46
								1775	--	1715	--	1650	--	1600	--	1540	--	1480	--	1420	43	1365	44	1305	45	1245	46
48K120(†)	120,000	94,000	45-75	46,000	T1	10 X 10	3/4	1185	73	1110	77	1035	81	980	85	925	89	875	93	825	97	775	101	725	105		
								1410	49	1330	41	1290	43	1250	45	1210	47	1170	49	1130	51	1090	53	1050	55	1010	57
								1525	46	1450	48	1370	51	1320	55	1270	59	1210	63	1150	67	1100	71	1050	75	1000	79
								1650	--	1585	--	1520	--	1465	--	1405	--	1340	--	1280	41	1235	42	1180	44	1130	46
								1775	--	1715	--	1650	--	1600	--	1540	--	1480	--	1420	43	1365	44	1305	45	1245	46
60K096(†)	96,000	75,000	45-75	55,000	T1	10 X 10	3/4	1185	59	1110	63	1035	67	980	71	925	75	875	79	825	83	775	87	725	91		
								1410	49	1330	41	1290	43	1250	45	1210	47	1170	49	1130	51	1090	53	1050	55	1010	57
								1525	46	1450	48	1370	51	1320	55	1270	59	1210	63	1150	67	1100	71	1050	75	1000	79
								1650	--	1585	--	1520	--	1465	--	1405	--	1340	--	1280	41	1235	42	1180	44	1130	46
								1775	--	1715	--	1650	--	1600	--	1540	--	1480	--	1420	43	1365	44	1305	45	1245	46
60K120(†)	120,000	94,000	45-75	55,000	T1	10 X 10	3/4	1185	73	1110	77	1035	81	980	85	925	89	875	93	825	97	775	101	725	105		
								1410	49	1330	41	1290	43	1250	45	1210	47	1170	49	1130	51	1090	53	1050	55	1010	57
								1525	46	1450	48	1370	51	1320	55	1270	59	1210	63	1150	67	1100	71	1050	75	1000	79
								1650	--	1585	--	1520	--	1465	--	1405	--	1340	--	1280	41	1235	42	1180	44	1130	46
								1775	--	1715	--	1650	--	1600	--	1540	--	1480	--	1420	43	1365	44	1305	45	1245	46

* Denotes Factory Set Cooling Speed
 ** Denotes Factory Set Heating Speed
 † Can be C or X

R4GD ACCESSORIES

Description	Part Number
Roof Curb (8")	547830
Roof Curb (14")	547831
Roof Curb (18")	547850
Roof Curb (24")	547851
Cap, Duct Adapter, 12" Round	913811A
Cap, Duct Adapter, 14" Round	913812A
Filter Kit R4GD 024	547886
Filter Kit R4GD 030 - 042	547888
Filter Kit R4GD 048 - 060	547889
Filter Kit, All Downflow Applications (not required with economizer)	547885
Low Ambient Kit	913549A
High Pressure Switch Kit	913550
Low Pressure Switch Kit	913551
U.S. LP Gas Conversion Kit (0 ft to 10,000 ft above sea level)	904090A
Canadian LP Gas Conversion Kit (0 to 4,500 ft above sea level)	904091A
Outdoor Thermostat Kit	913852
Universal Hard Start Kit	912933

We Encourage
Professionalism

Through Technician
Certification by NATE



O'Fallon, MO

NORDYNE

174C-0306 (Replaces 174C-0106)

Before purchasing this appliance, read important energy cost and efficiency information available from your retailer. Specifications and illustrations subject to change without notice and without incurring obligations. Printed in U.S.A. (03/06)