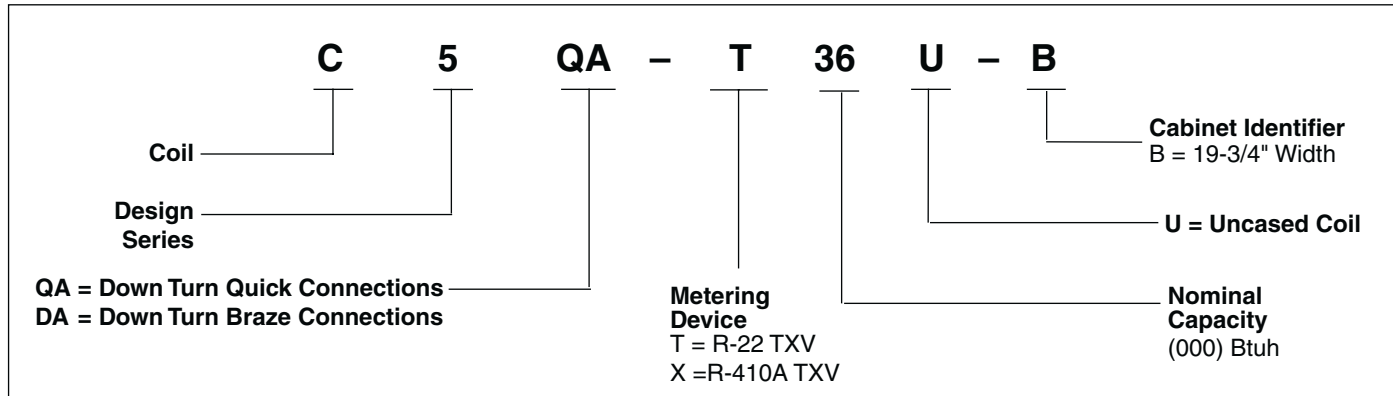


**TECHNICAL
SPECIFICATIONS**

C5 Manufactured Housing Indoor Coils

MODEL IDENTIFICATION CODE



Drain Pan—Bottom View

Dimension	"B" Cabinet 24-48
W	18 1/8
B	10 5/8

See Figure 1.

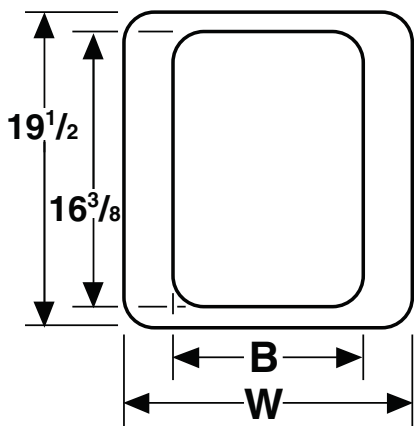
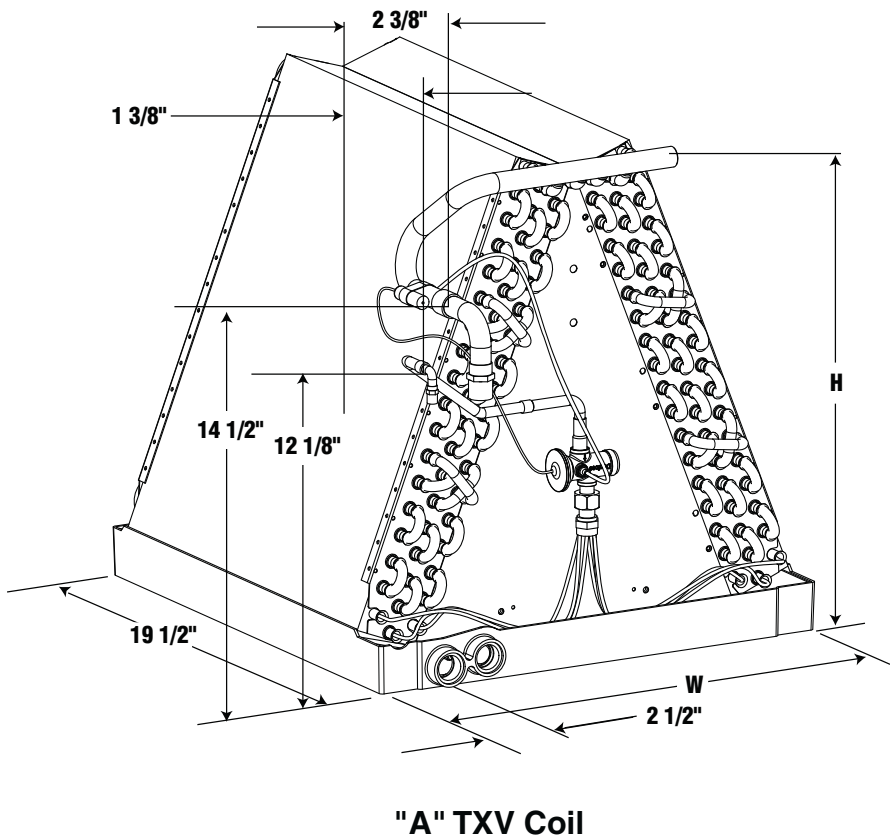
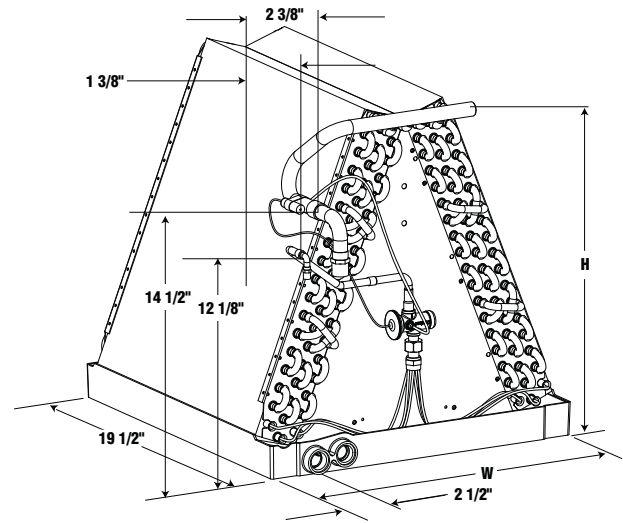


Figure 1. Drain Pan Dimensions



TXV COIL DATA TABLE

Coil Model C5QA, C5DA	X25-B	X30-B	X36-B	X37-B	X42-B
Face Area (ft ²)	4.18	4.18	4.18	5.58	4.18
Rows	3	3	3	3	3
Fins per inch	14	14	14	14	14
Metering Device	TXV	TXV	TXV	TXV	TXV
Nominal Airflow CFM	800	1000	1200	1200	1400
Pressure Drop at nominal airflow (in. w.c.)	0.12	0.15	0.21	0.3	0.3
W-Width (in.)	18 1/8	18 1/8	18 1/8	18 1/8	18 1/8
H-Height (in.)	19	19	19	25	19
Connections					
Liquid Line	3/8	3/8	3/8	3/8	3/8
Suction Line	3/4	3/4	3/4	7/8	3/4
Coil Conversion Kit (Includes Filters)	914539	914539	914539	917446	914539
Filters Only	917763	917763	917763	917416	917763



"A" TXV Coil

Coil Model C5QA, C5DA	T24-B	T25-B	T30-B	T36-B	T37-B	T41-B	T43-B	T47-B	T48-B
Face Area (ft ²)	4.18	4.18	4.18	4.18	5.58	4.18	5.58	4.18	5.58
Rows	2	3	3	3	3	3	3	3	3
Fins per inch	15	14	14	14	14	14	14	12	14
Metering Device	TXV	TXV	TXV	TXV	TXV	TXV	TXV	TXV	TXV
Nominal Airflow CFM	800	800	1000	1200	1200	1400	1400	1600	1600
Pressure Drop at nominal airflow (in. w.c.)	0.15	0.12	0.15	0.21	0.3	0.3	0.3	0.3	0.3
W-Width (in.)	18 1/8	18 1/8	18 1/8	18 1/8	18 1/8	18 1/8	18 1/8	18 1/8	18 1/8
H-Height (in.)	19	19	19	19	25	19	25	19	25
Connections									
Liquid Line	3/8	3/8	3/8	3/8	3/8	3/8	3/8	3/8	3/8
Suction Line	3/4	3/4	3/4	3/4	7/8	3/4	7/8	3/4	7/8
Coil Conversion Kit (Includes Filters)	914539	914539	914539	914539	917446	914539	917446	914539	917446
Filters Only	917763	917763	917763	917763	917416	917763	917416	917763	917416



NORDYNE

COMPLETE COMFORT. GENUINE VALUE.

8000 Phoenix Parkway | O'Fallon, MO 63368-3827

Specifications and illustrations subject to change without notice and without incurring obligations. Printed in U.S.A (10/2009)

283C-1009 (Replaces 283C-0806)