
TECHNICAL SPECIFICATIONS

P3RA Series

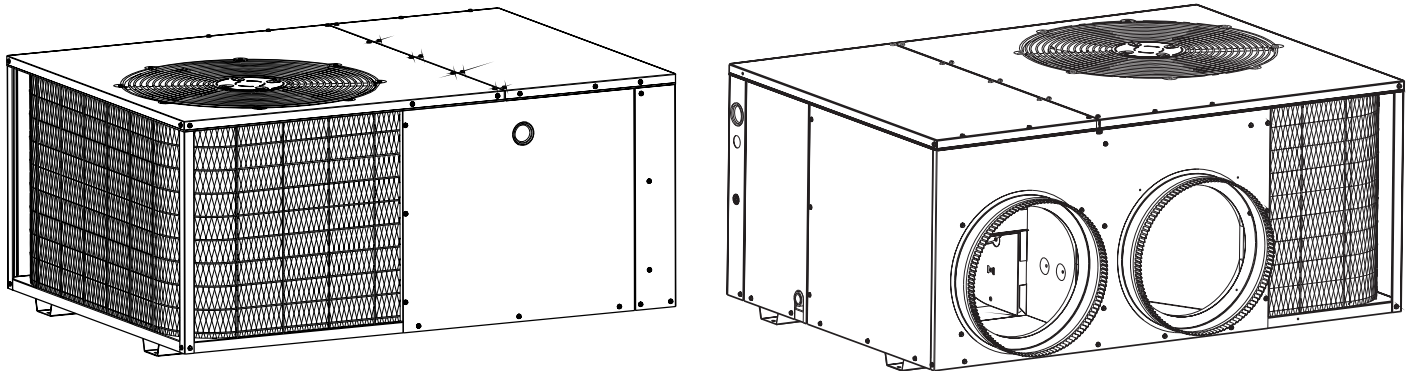
Single Packaged Air Conditioner, Single Phase

P3RA-10 SEER

3, 4 and 5 Ton Units

Cooling: 32,500 to 55,700 Btuh

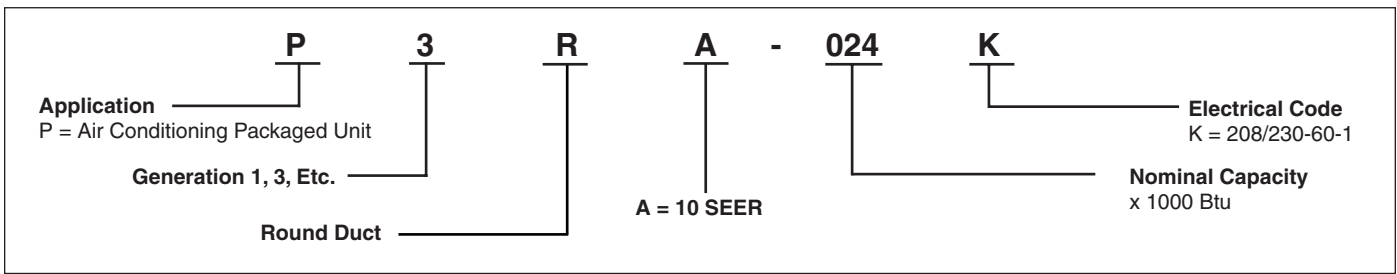
The P3 Series single packaged air conditioners are high efficiency self contained cooling and heating units that can be installed on a slab.



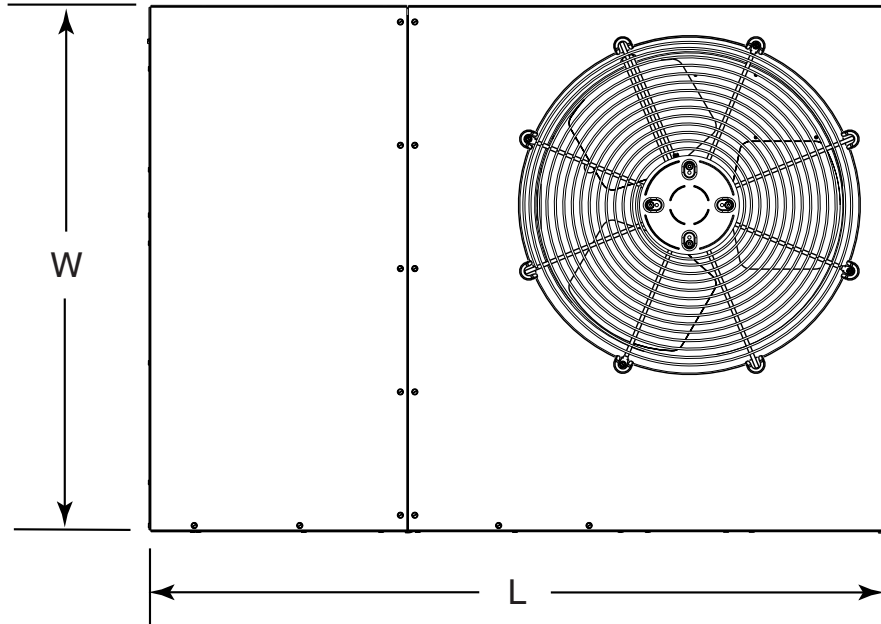
FEATURES AND BENEFITS

- **State-of-the-art compressor** is standard equipment.
- **Designed using galvanized steel** with a polyester urethane coat finish. The 950 hour salt spray finish resists corrosion 50% better than comparable units.
- **Both indoor and outdoor coils** are designed to optimize heat transfer, minimize size and cost, and increase durability and reliability.
- **A heavy duty PSC motor** for long lasting reliability and operation. Requires no maintenance and is completely protected from rain and snow.
- **The service valves are easily accessible** and simplify servicing of the refrigeration system.
- **A wire coil guard and mesh hail guard that will never rust** protects the coil from being damaged by balls, lawnmowers, hail, etc.
- **Designed to make servicing easier** for the contractor, access panels are provided to all major components and the compressor.
- **1" clearance** to combustibles on duct side of the unit allows for installations in tight areas.
- **Easy access** to evaporator for cleaning and general maintenance.
- **Drain trap** design optimizes drainage capabilities.
- **Easy to install** electric heat strip provides up to 20 kw of heat output.
- **Compact footprint and profile** make the P3 Series easy to install and transport.

MODEL IDENTIFICATION CODE



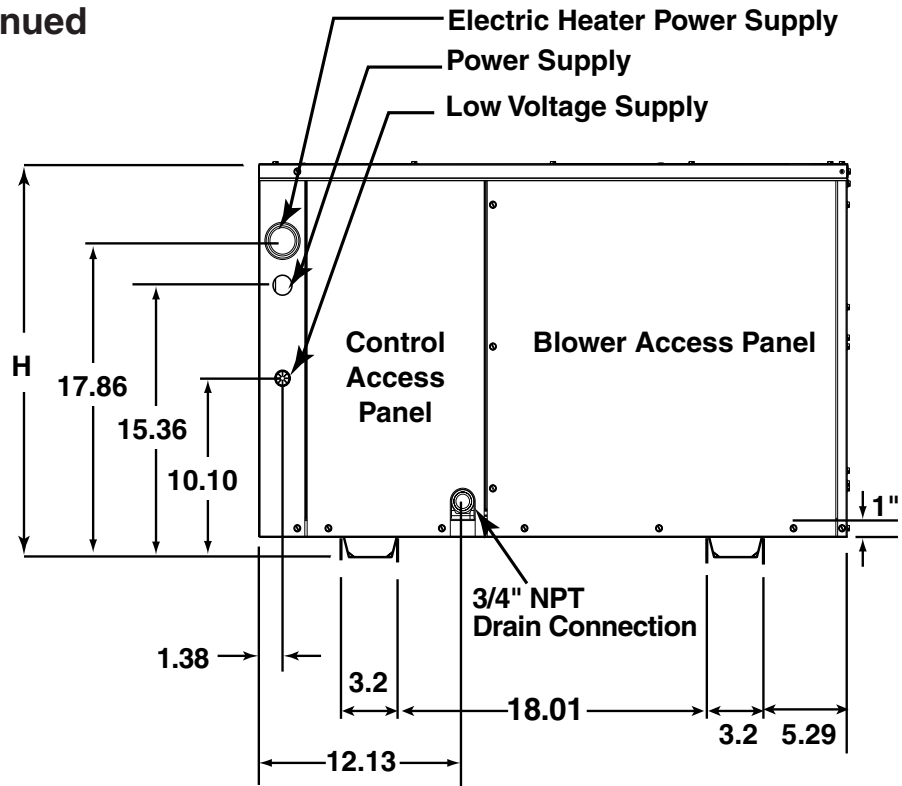
DIMENSIONS



Top View

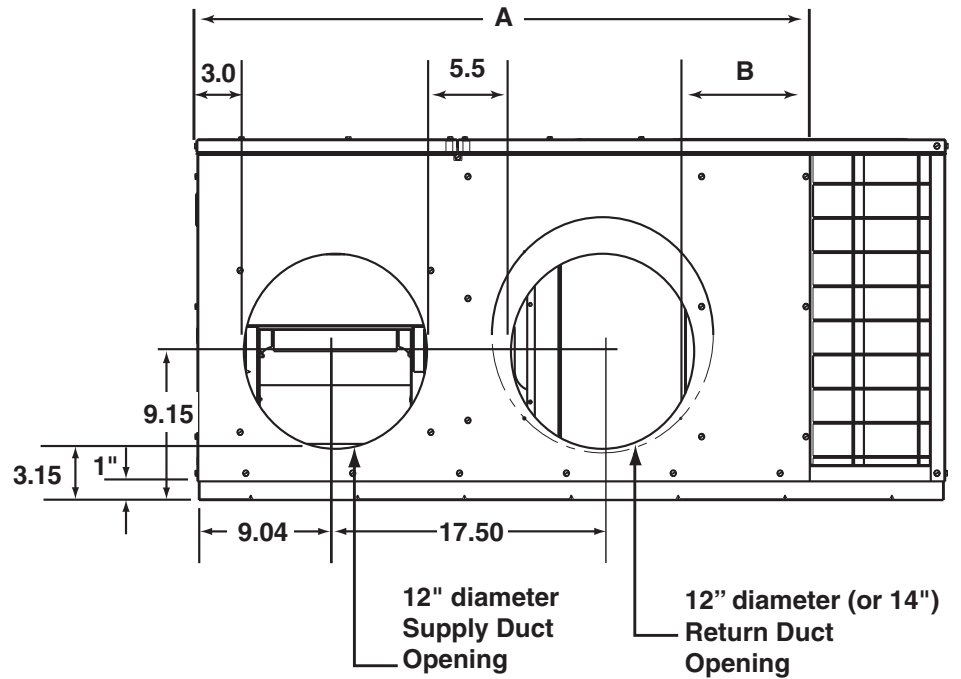
Model No.	(L) Length	(W) Width	(H) Height
P3RA-036K	49	35	22.2
P3RA-048K	49	35	30.2
P3RA-060K	49	35	30.2

DIMENSIONS Continued



Side View

Model	Return Diameter (in)
P3RA-036K	12
048K	14
060K	14



Back (Duct) View

PHYSICAL SPECIFICATIONS

P3RA Models

Model No. P3RA-	036K	048K	060K
Electric Rating — 60 Hz (a)			
Operating Voltage Range	187 - 253	187 - 253	187 - 253
Minimum Circuit Ampacity (a)	23.4	35.1	47.2
Field Wire Size — AWG (a)	10	8	8
Delay Fuse (MOP) — Maximum (b)	35	50	80
Total Unit — AMPS	19.4	26.1	38.6
Compressor			
Volts	208 - 230	208 - 230	208 - 230
Rated Load Amps	16.1	24.6	34.3
Lock Rotor Amps	82.0	132.0	142
Fan Motor and Condensor			
Fan Motor — HP - RPM	1/8 - 1100	1/4 - 1100	1/4 - 1100
Fan Motor — Amps	1.2	1.3	1.3
Fan Dia. — CFM	20" - 2800	20" - 3000	20" - 3000
Motor and Evaporator			
Blower Motor — HP - RPM	1/3 - 900	1/2 - 1000	1/2 - 1000
Blower Motor — Amps	2.1	3	3
CFM @ E.S.P. — in. W.C.	1390 @ .30	1730 @ .30	1680 @ .30
Refrigerant — Oz.	44.8	68.8	112
Shipping Weight — Lbs.	280	325	375

(a) Amperage and wire size based on refrigeration system only and rated with 75°C wire. See Electrical Data tables for supplemental electric heaters. Refer to National Electric Code for additional derating factors for field installed conductors.

(b) Use time delay fuse or "HACR" type circuit breaker.

ELECTRICAL DATA

Model Number	Heater Installed Nom. KW	Single Supply Circuit Option					Multiple Circuit										
		Minimum Circuit Amp.	Rec Wire Gauge (60°C Cu)	Rec Wire Gauge (75°C Cu)	Rec Wire Gauge (90°C Cu)	Maximum Over-current Rating*	A					B					
							Minimum Circuit Amp.	Rec Wire Gauge (60°C Cu)	Rec Wire Gauge (75°C Cu)	Rec Wire Gauge (90°C Cu)	Maximum Over-current Rating*	Minimum Circuit Amp.	Rec Wire Gauge (60°C Cu)	Rec Wire Gauge (75°C Cu)	Rec Wire Gauge (90°C Cu)	Maximum Over-current Rating*	
P3RA-036K	0	23.4	10	10	10	35	-	-	-	-	-	-	-	-	-	-	-
	5	27.6	10	10	10	35	-	-	-	-	-	-	-	-	-	-	-
	8	42.2	6	8	8	45	-	-	-	-	-	-	-	-	-	-	-
	10	52.6	6	6	8	60	-	-	-	-	-	-	-	-	-	-	-
	15	77.6	3	4	4	80	50	6	8	8	60	27.6	10	10	10	30	
P3RA-048K	0	35.1	8	8	8	50	-	-	-	-	-	-	-	-	-	-	-
	5	35.1	8	8	8	50	-	-	-	-	-	-	-	-	-	-	-
	8	43.3	6	8	8	50	-	-	-	-	-	-	-	-	-	-	-
	10	53.8	6	6	8	60	-	-	-	-	-	-	-	-	-	-	-
	15	78.8	3	4	4	80	53.8	6	6	8	60	28.8	10	10	10	30	
	20	103.8	1	2	3	110	53.8	6	6	8	60	53.8	6	6	8	60	
P3RA-060K	0	47.2	6	8	8	80	-	-	-	-	-	-	-	-	-	-	-
	5	47.2	6	8	8	80	-	-	-	-	-	-	-	-	-	-	-
	8	47.2	6	8	8	80	-	-	-	-	-	-	-	-	-	-	-
	10	53.8	6	6	8	80	-	-	-	-	-	-	-	-	-	-	-
	15	78.8	3	4	4	80	53.8	6	6	8	80	28.8	10	10	10	30	
	20	103.8	1	2	3	110	53.8	6	6	8	80	53.8	6	6	8	60	

*When overcurrent rating exceeds 60, internal circuit breakers must be installed in addition to branch circuit protection at distribution panel.

SYSTEM HEATING AND COOLING CAPACITIES

Model Number P3RA-	Cooling Btuh	SEER
036K	32,500	10
048K	45,500	10
060K	55,700	10

BLOWER PERFORMANCE

Model Number P3RA		External Static Pressure (in. WC)					
		0.1	0.2	0.3	0.4	0.5	0.6
036K	High	1480	1440	1390	1330	1270	1190
	Low	1270	1230	1190	1140	1080	1000
048K	High	1840	1780	1730	1650	1580	1500
	Low	1700	1650	1590	1540	1470	1390
060K	High	1800	1740	1680	1620	1540	1470
	Low	1660	1610	1560	1500	1430	1360

COPPER WIRE SIZE — AWG (1% Voltage Drop)				
Supply Wire Length-Feet				Supply Circuit
200	150	100	50	Ampacity
6	8	10	14	15
4	6	8	12	20
4	6	8	10	25
4	4	6	10	30
3	4	6	8	35
3	4	6	8	40
2	3	4	6	45
2	3	4	6	50

Wire Size based on N.E.C. for 60° type copper conductors.

ACCESSORIES

Heater Application Matrix

Model Number P3RA-	Motor Speed	H3HK-005H-01A 917166A	H3HK-008H-01A 917167A	H3HK-010H-01A 917168A	H3HK-015H-01A 917169A	H3HK-020H-01A 917170A	H3HK-015H-21A 917172A	H3HK-020H-21A 917173A
036K	High	X(0)	X(0)	X(0)	X(2)	NA	X(0)	NA
	Low	X(0)	X(0)	X(0)	X(2)	NA	X(0)	NA
048K	High	X(0)	X(0)	X(0)	X(2)	X(3)	X(0)	X(1)
	Low	X(0)	X(0)	X(0)	X(2)	X(3)	X(0)	X(1)
060K	High	X(0)	X(0)	X(0)	X(2)	X(3)	X(0)	X(1)
	Low	X(0)	X(0)	X(0)	X(2)	X(3)	X(0)	X(1)

Duct Kits

NA = Not Approved

() = Number of internal circuit breaker kits required.

Description	Part Number
MHFK-12-SW (Single Wide Fitting Kit - 12")	911468A
MHFK-12-DW (Double Wide Fitting Kit - 12")	911469A
MHFK-14-SW (Single Wide Fitting Kit - 14")	914957
MHFK-14-DW (Double Wide Fitting Kit - 14")	914956
UFK-2RMI, 12"x12"x12" "Y" fitting with 2 clamps	911470
Clamps, 10-14" diameter	668659

Heater Kit Accessories

Description	Part Number
4-Pole single circuit adaptor	913350
6-Pole single circuit adaptor	913556
Circuit Breaker Single Phase (2-pole)	913554



455A-0407 (Replaces 455A-0502)

O'Fallon, MO

NORDYNE

Before purchasing this appliance, read important energy cost and efficiency information available from your retailer. Specifications and illustrations subject to change without notice and without incurring obligations.

Printed in U.S.A. (04/07)