

INSTALLATION INSTRUCTION

INSTALLATION INSTRUCTIONS FOR 547841 ECONOMIZERS USED WITH R4GM 072 P6SD, Q6SD, R6GD 024-060 UNITS

FORM# 599A-0808 (599A-0298)

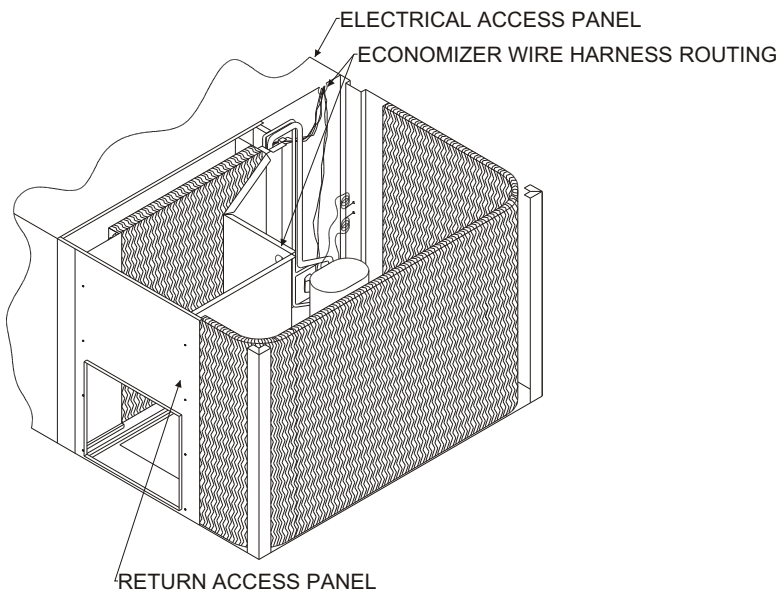
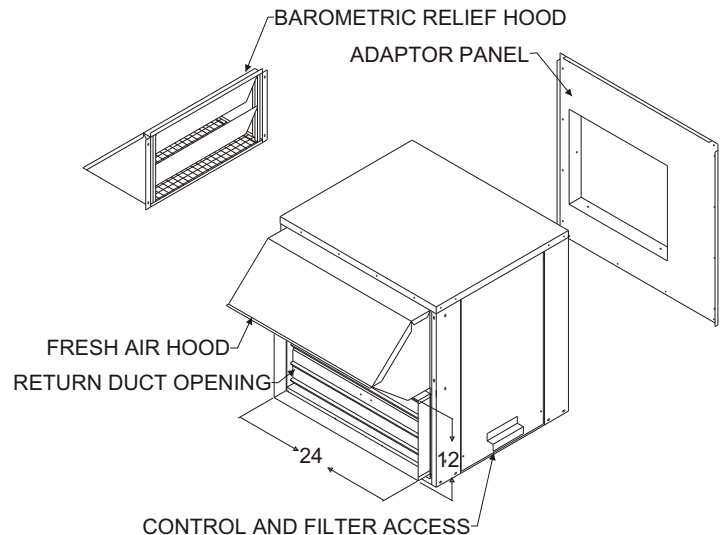
Recognize this symbol as an indication of Important Safety Information!

547841 Economizer is used for automatic sensor-controlled introduction of outdoor air into the system through an electro-mechanically controlled damper.

Step 1:

Check for correct number of parts. See list below.

- 1 - Economizer Assembly w/ Filter
- 1 - Adaptor Panels (Attached to Economizer)
- 1 - Wiring Diagram Sticker
- 1 - Barometric Relief Hood
- 1 - Mixed Air Sensor (MAS)
- 1 - Wire Tie
- 2 - #10 x 16 x 1/2" Self-Tapping Screws
- 10 - #10 x 16 x 1/2" Type A Screws



WARNING:

Disconnect electrical power to the unit. Failure to do so can cause electrical shock resulting in personal injury or death.

Step 2:

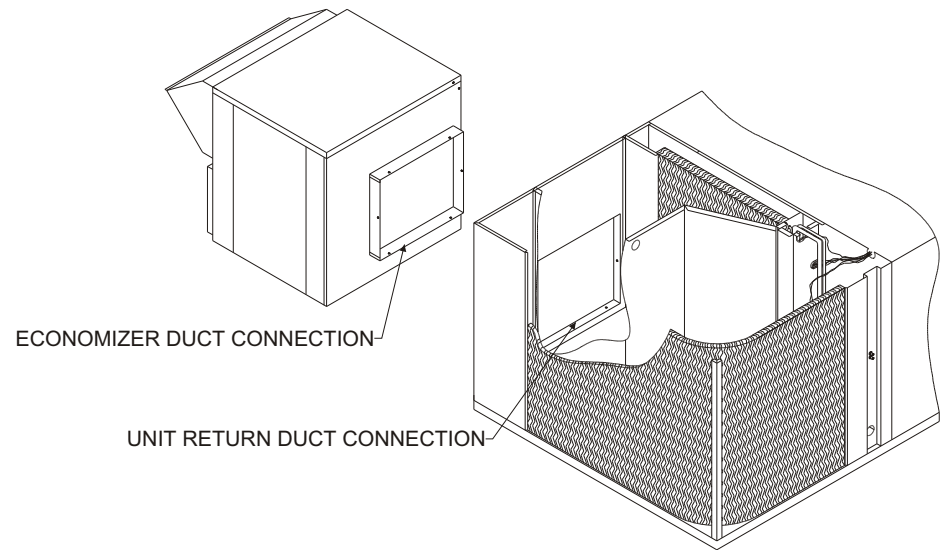
Take the economizer plug and attach to the unit economizer plug located inside the return air section above the duct opening. (Factory jumper plug must first be removed.)

Step 3:

Slide Economizer over horizontal return opening of the unit. Secure Economizer using the screws that were provided.

INSTALLATION INSTRUCTION

INSTALLATION INSTRUCTIONS FOR 547841 ECONOMIZERS USED WITH R4GM 072 P6SD, Q6SD, R6GD 024-060 UNITS



Step 4:

Locate the mixed air sensor (MAS) on the blower deck next to the blower intake opening using the self-tapping screw provided. Connect MAS to two (2) prewired red wires in blower compartment.

Step 5:

Attach and seal weather tight return duct to Economizer.

Step 6:

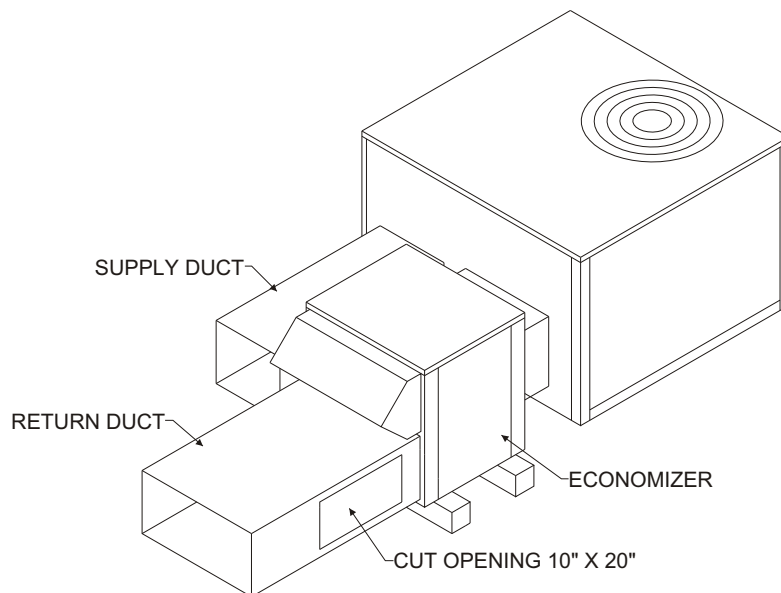
If the barometric relief is to be installed cut a 10" x 20" hole in the return air duct near Economizer.

Step 7:

Secure barometric relief damper near Economizer over hole in return air duct using (4) screws provided.

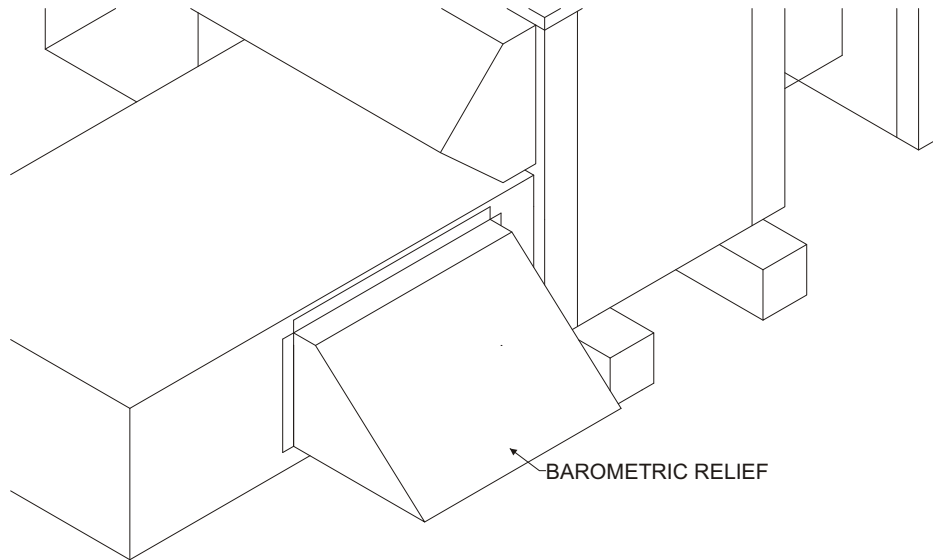
Step 8:

Place the adhesive backed wiring diagram on the electrical access panel by the unit diagram.



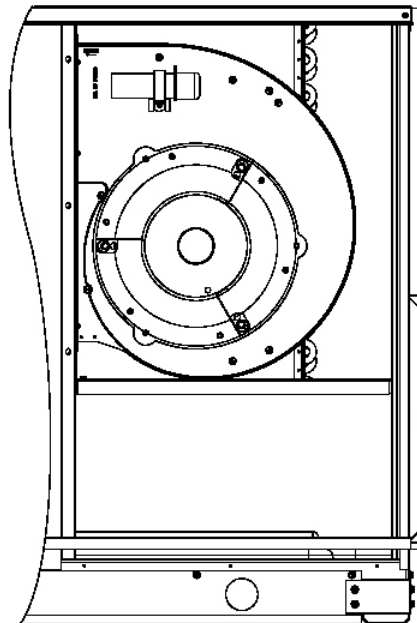
INSTALLATION INSTRUCTION

INSTALLATION INSTRUCTIONS FOR
547841
ECONOMIZERS USED WITH R4GM 072
P6SD, Q6SD, R6GD 024-060 UNITS



Step 9:

Turn power back on to the unit. See the enclosed Honeywell specification data for operation and check out.



HARNESS DETAIL

E# = WIRE END DESIGNATION

- E2 STUD #6 18 Ga. Wire
- E3 Female ¼ Quick Disc.
- E4 Male ¼ Quick Disc. Insul
- E6 Wire Nut Size 73B
- E7 Raw End
- E8 Female ⅜ Quick Disc.

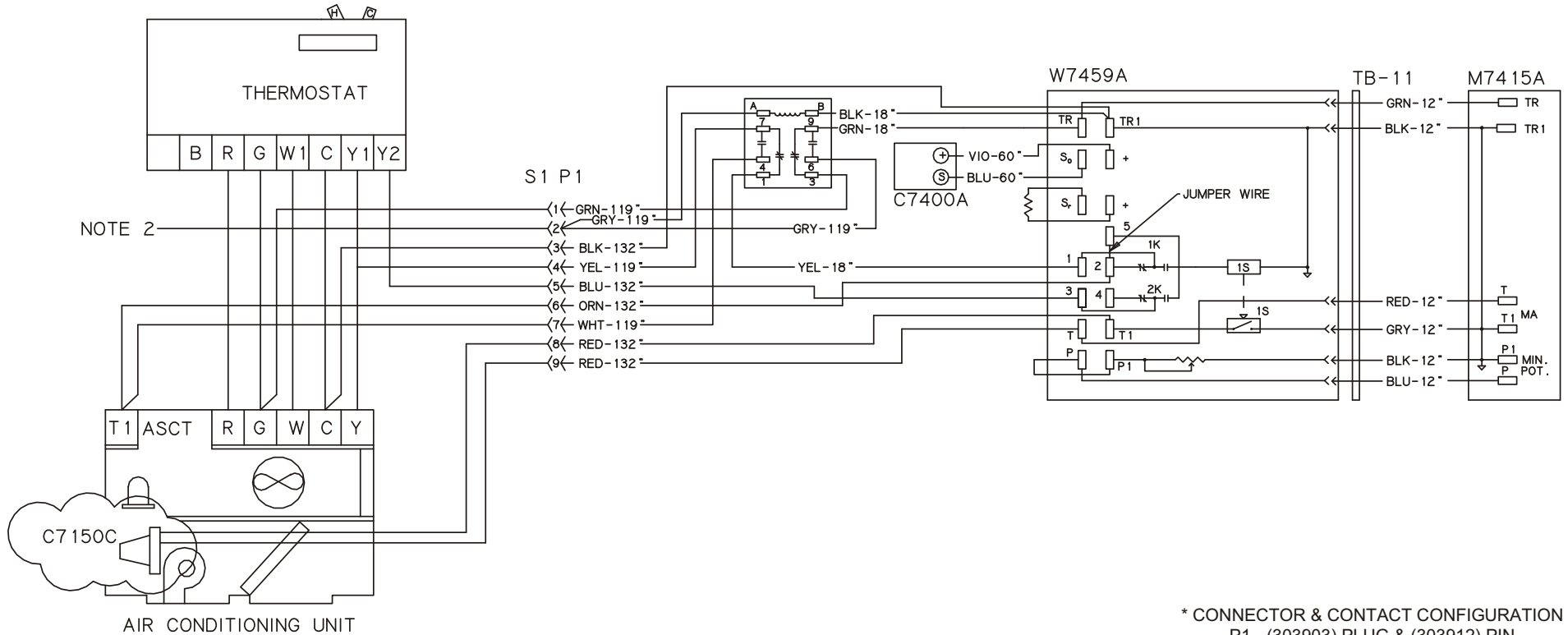
**HARNESS
ENDS AT P1**

COMPONENT CODE

- C7400A Fresh Air Sensor
- M7415A Damper Actuator 24v
- C7150C Mixed Air Sensor
- W7459A Logic Module
- P1 Economizer Plug
- S1 Unit Economizer Plug
- TB-11 Terminal Board

WIRE COLOR CODE

- | | | | |
|-----|--------|-----|-------|
| BLK | Black | BLU | Blue |
| GRN | Green | GRY | Gray |
| ORN | Orange | RED | Red |
| VIO | Violet | WHT | White |
| YEL | Yellow | | |



* CONNECTOR & CONTACT CONFIGURATION
P1 - (303903) PLUG & (303912) PIN

Notes:

1. Unit wiring shown as reference only. Check unit wiring for actual unit wiring.
2. Connection: "R4" units: Yellow side of gas valve
"P4" units: "W" on A/C unit
"Q4" units: "B" on indoor thermostat sub-base.
3. Y2 must be energized for the compressor to operate during economizer operation.

**Horizontal Modulating Economizer
R4GM 072 P6SD, Q6SD, R6GD 024-060 Units**

Rooftop Systems, Inc.
2405 McIver Lane
Carrollton, Texas 75006
Phone (972) 247-7447
Fax (972) 243-0940

Date: January 14, 2002
Supercedes: 01-10-02
Drawn by:
Unit # 47-324-06
Diagram# 32406W