

TECHNICAL SPECIFICATIONS

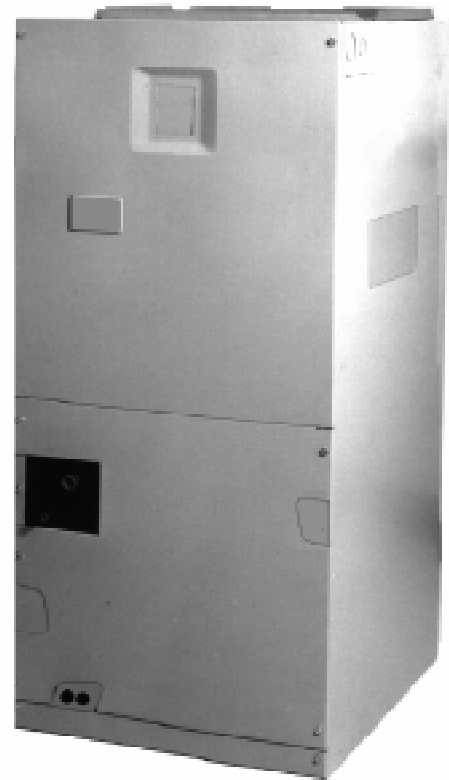
B2BV Series Air Handler

10 and 12 SEER Manufactured Housing System
24,000 - 66,000 Btuh (Heat Pump & Air Conditioner)

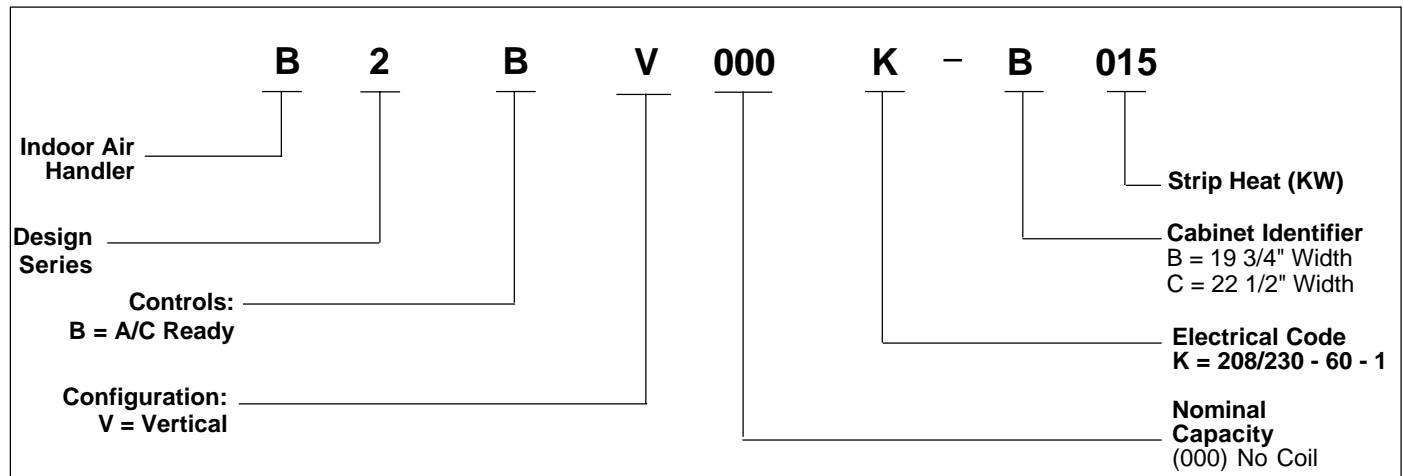
The B2BV Series air handler, when combined with our heat pump or air conditioner, offers a full line of quality, split system heating and cooling equipment.

FEATURES and BENEFITS

- **Multi-speed**– Gives flexibility of installation.
- **Ease-of-Service** – Plug-in wire connections and built-in filter rack makes the air handler easy to service.
- **Insulation** – provides quiet operation.
- **Breaker Accessibility** – Breaker accessible from front of unit when heater is applied.
- **No Fasteners on sides or back** – Smooth surfaces for installations.



MODEL IDENTIFICATION CODE

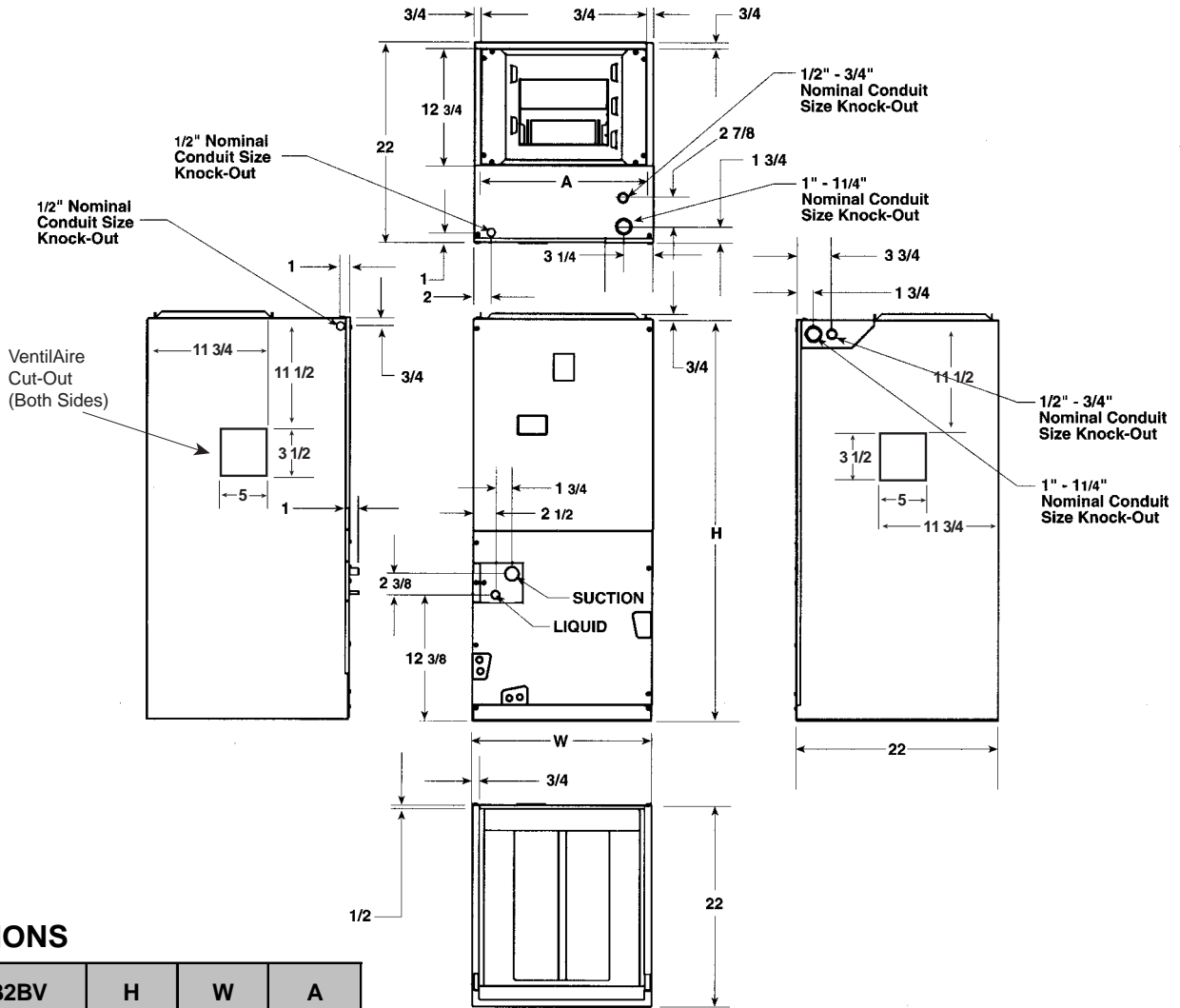


SPECIFICATIONS

Model B2BV	B-15	C-20
Nominal Blower Size (DxW)	10 x 8	10 x 10
(H.P. - Speed - Type)	1/3 - 3 - PSC	3/4 - 4 - PSC
Filter Size (see note below)	20 x 20	22½ x 20

ACCESSORIES

Description	Order Number
Downflow Adapter Kit, B cab	914630
Downflow Adapter Kit, C cab	914631
Single Circuit Adapter Kit	913874
Filter, Permanent/Washable B-cab	914020 (Single) 914023 (12 ct)
Filter, Permanent/Washable C-cab	914020 (Single) 914023 (12 ct)



DIMENSIONS

Model B2BV	H	W	A
000 K-B	44	19 3/4	18 1/4
000 K-C	53	22 1/2	21

SYSTEM AIR FLOW DATA (with coil installed)

Model	Nom. Blower Size	Nom. Motor Size	No. of Speeds	Ext. Static Pressure (in W.C.)	L
B2BV 000 K-B-15	10 x 8	1/3 hp	3-sp	0.1	1
				0.2	1
				0.3	1
				0.4	1
				0.5	1
B2BV 000 K-C-20	10 x 10	3/4 hp	4-sp	0.1	1
				0.2	1
				0.3	1
				0.4	1
				0.5	1

Notes:

- 1) Airflow is shown in cfm, +/- 5%.
- 2) All airflows are measured without filter and with dry coil. For filter velocity of 300 ft./min. subtract .08" external static pressure. For wet coil, subtract .1" external static pressure.
- 3) See unit nameplate or installation instructions for maximum recommended external static pressure.