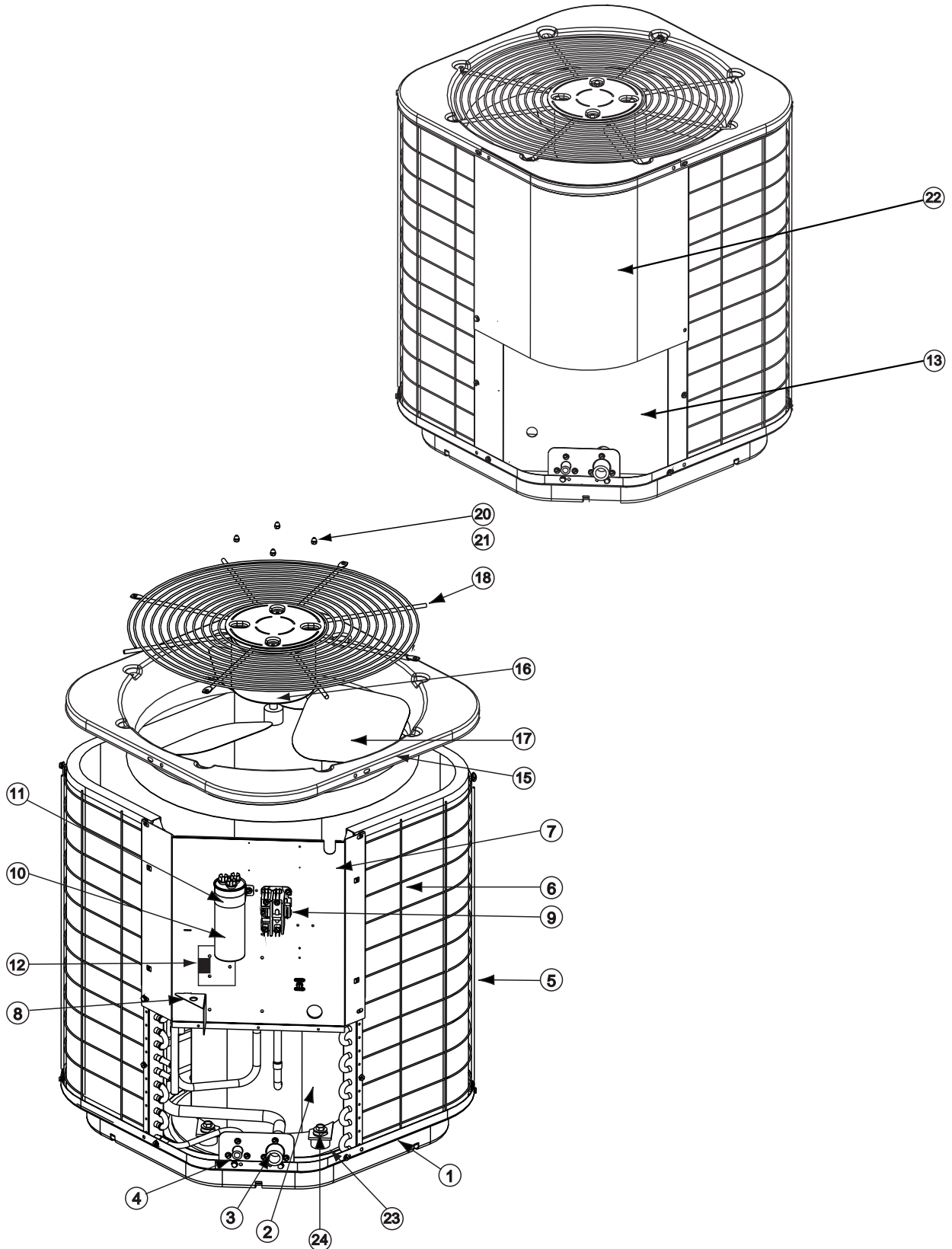


REPLACEMENT PARTS LIST

S3BA 048 KT Series
S3BA 048 CT Series
S3QA 048 KT Series
10 SEER



**S3BA 048 KT & CT
S3QA 048 KT**

ITEM	DESCRIPTION	S3BA 048KT	S3BA 048CT	S3QA 048KT	QTY
1	Bottom Pan	494480	494480	494480	1
2	Compressor	912959	912962	912959	1
3	Refrigerant Valve (Large)	663576	663576	—	1
	Coupling Bulkhead (Large)	—	—	663619	
4	Refrigerant Valve (Small)	663574	663574	—	1
	Coupling Bulkhead (Small)	—	—	663617	
5	Coil Guard (Formed)	D09298	D09298	D09298	1
6	Outdoor Coil (Formed)	D08550	D08550	D08550	1
7	Control Box	496540	496540	496540	1
8	Low Voltage Divider	258790	258790	258790	1
9	Contactora	621662	621667	621662	1
10	Capacitor	620765	621433	620765	1
11	Capacitor Strap	258780	258782	258780	1
12	Anti-Short Cycle Timer	621586	621586	—	1
13	Access Panel	374273	374273	374273	1
14	Snap Bushing SB437-5 (Not Shown)	631323	631323	631323	1
15	Top Pan	496161	496161	496161	1
16	Fan Motor	621827	621827	621827	1
17	Fan Blade	667296	667296	667296	1
18	Fan Grill	669201	669201	669201	1
19	Motor Wire Conduit	258950	258950	258950	1
20	Nut, Acorn	606237	606237	606237	4
21	Washer	612020	612020	612020	4
22	Control Box Cover	374260	374260	374260	1
23	Grommet, Compressor	668396	668396	668396	4
24	Bolt, Compressor	600284	600284	600284	4

Specify Model No. and Serial No. along with the exact part number(s) when ordering parts from the nearest authorized Dealer or Service Center.

