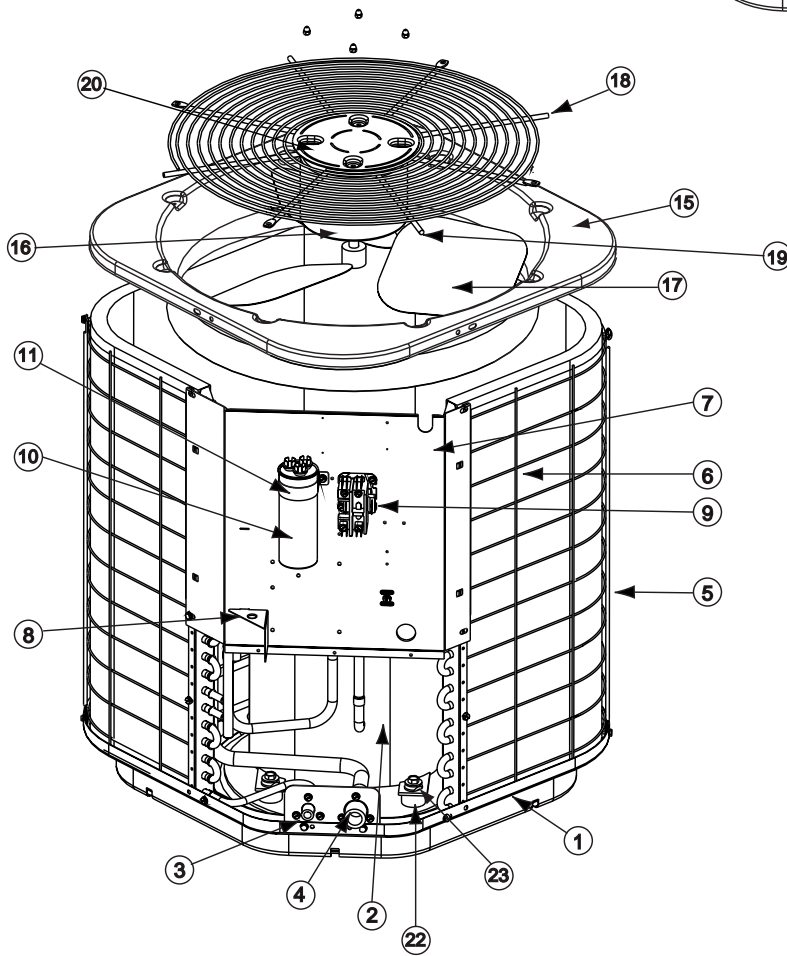
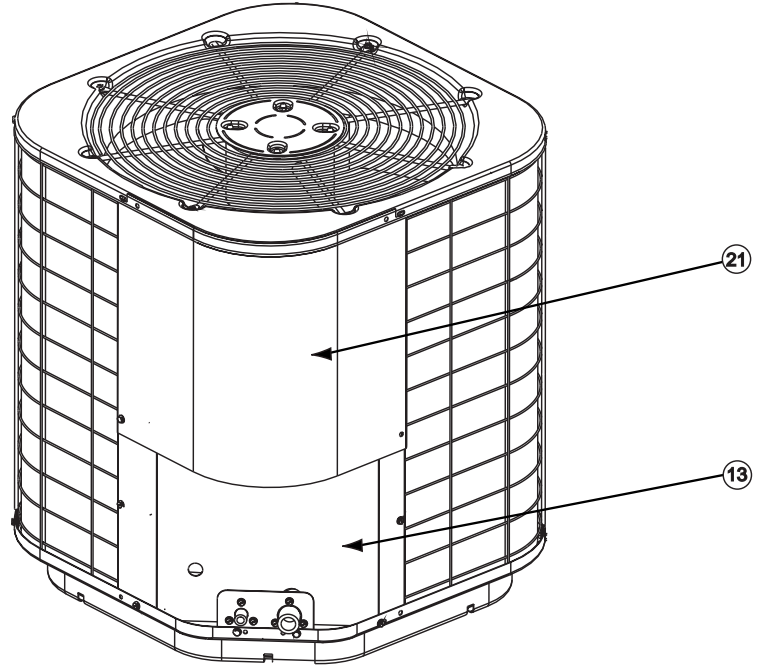


**REPLACEMENT PARTS LIST**  
**S3QA-(A,B) and MS3QA-(A,B) Series**  
Manufactured Structures  
10 SEER Split System Air Conditioner

S3QA Series Shown



### S3QA-(A,B) Series

ITEM	DESCRIPTION	Single Phase 208/230						
		024KA	030KA	036KA	042KA	048KA	060KA	060KB
1	Bottom Pan	494480	494480	494480	494480	494480	494490	494490
2	Compressor	912956	912957	914955	912958	917337	914928	914926
3	Coupling, Bulkhead Small	663782	663782	663782	663782	663782	663782	663782
4	Coupling, Bulkhead Large	663781	663781	663781	663781	663781	663781	663781
5	Coil Guard (Formed)	D09291	D09291	D09291	D09294	D09296	D09297	D09295
6	Outdoor Coil (Formed)	917387	917388	917389	917391	917390	496946R	274521R
	Repl, Hail Guard Kit (Not Shown)	917206	917206	917206	917206	917206	917206	917206
7	Control Box	496540	496540	496540	496540	496540	496540	496540
8	Low Voltage Divider	258790	258790	258790	258790	258790	258790	258790
9	Contactora	621661	621661	621661	621661	621662	621662	621662
10	Capacitor	620777	620762	620779	620765	620888	621466	621467
	Capacitor (After 9/15/00)						621906	
11	Capacitor Strap	258781	258781	258780	258780	258780	258780	258780
12	Anti Short-Cycle Timer	621586	621586	621586	621586	621586	621586	621586
13	Access Panel	374270	374270	374270	374272	374273	374273	374272
14	Snap Bushing (Not Shown)	631323	631323	631323	631323	631323	631323	631323
15	Top Pan	496161	496161	496161	496161	496161	496162	496162
16	Condenser Motor 42 Frame	621865	621864	621864	621864	Not Used	Not Used	Not Used
	Cond Motor (42 Frame) Note 1	621919	621918	621918	621918	Not Used	Not Used	Not Used
	Condenser Motor (48 Frame)	621634	621856	621856	621856	621827	621306	Not Used
	Condenser Motor (48 Frame) Note 1	621856	621856	621856	621856	621917	621912	621912
17	Fan Blade	667261	667262	667262	667262	667296	667212	667212
18	Fan Grill	669201	669201	669201	669201	669201	669202	669202
19	Motor Wire Conduit	258950	258950	258950	258950	258950	258950	258950
20	Nut, Acorn	606237	606237	606237	606237	606237	606237	606237
21	Control Box Cover	374260	374260	374260	374260	374260	374260	374260
22	Grommet, Compressor	668396	668396	668396	668396	668530	668530	668530
23	Bolt, Compressor	600284	600284	600284	600284	600284	600284	600284
24	Sticker (High Eff.)	703844	703844	703844	703844	703884	703884	703884

### MS3QA-(A,B) Series

ITEM	DESCRIPTION	Single Phase 208/230						
		024KA	030KA	036KA	042KA	048KA	060KA	060KB
1	Bottom Pan	494480	494480	494480	494480	494480	494490	494490
2	Compressor	912956	912957	914955	912958	912959	914928	914926
3	Coupling, Bulkhead Small	663782	663782	663782	663782	663783	663783	663782
4	Coupling, Bulkhead Large	663781	663781	663781	663781	663781	663781	663781
5	Corner Post	390661	390661	390661	390665	390669	390667	273673
6	Outdoor Coil (Formed)	917387	917388	917389	917391	D08550R	496946R	274521R
	Repl, Hail Guard Kit (Not Shown)	917206	917206	917206	917206	917206	917206	917206
7	Control Box	496540	496540	496540	496540	496540	496540	496540
8	Low Voltage Divider	258790	258790	258790	258790	258790	258790	258790
9	Contactora	621661	621661	621661	621661	621662	621662	621662
10	Capacitor	620777	620762	620779	620765	620968	621466	621467
	Capacitor (After 9/15/00)					621907	621906	
11	Capacitor Strap	258781	258781	258780	258780	258780	258780	258780
12	Anti Short-Cycle Timer	914096	914096	914096	914096	914096	914096	914096
13	Access Panel	374270	374270	374270	374272	374274	374273	374272
14	Snap Bushing (Not Shown)	631323	631323	631323	631323	631323	631323	631323
15	Top Pan	496161	496161	496161	496161	496161	496162	496162
16	Condenser Motor 42 Frame	621865	621864	621864	621864	Not Used	Not Used	Not Used
	Cond Motor (42 Frame) Note 1	621919	621918	621918	621918	Not Used	Not Used	Not Used
	Condenser Motor (48 Frame)	621634	621856	621856	621856	621827	621306	621306
	Condenser Motor (48 Frame) Note 1	621856	621856	621856	621856	621917	621912	621912
17	Fan Blade	667261	667262	667262	667262	667296	667212	667212
18	Fan Grill	669324	669324	669324	669324	669324	669344	669202
19	Motor Wire Conduit	258950	258950	258950	258950	258950	258951	258950
20	Nut, Acorn	606248	606248	606248	606248	606248	606248	606248
21	Control Box Cover	374260	374260	374260	374260	374260	374260	374260
22	Grommet, Compressor	668396	668396	668396	668396	668530	668530	668530
23	Bolt, Compressor	600284	600284	600284	600284	600284	600284	600284

Note 1- Changed 06/01/01

Specify Model No. and Serial No. along with the exact part number(s) when ordering parts from the nearest authorized Dealer or Service Center.



7081460 (Replaces 7079710)

Specifications and illustrations subject to change without notice and without incurring obligations. Printed in U.S.A. 08/02