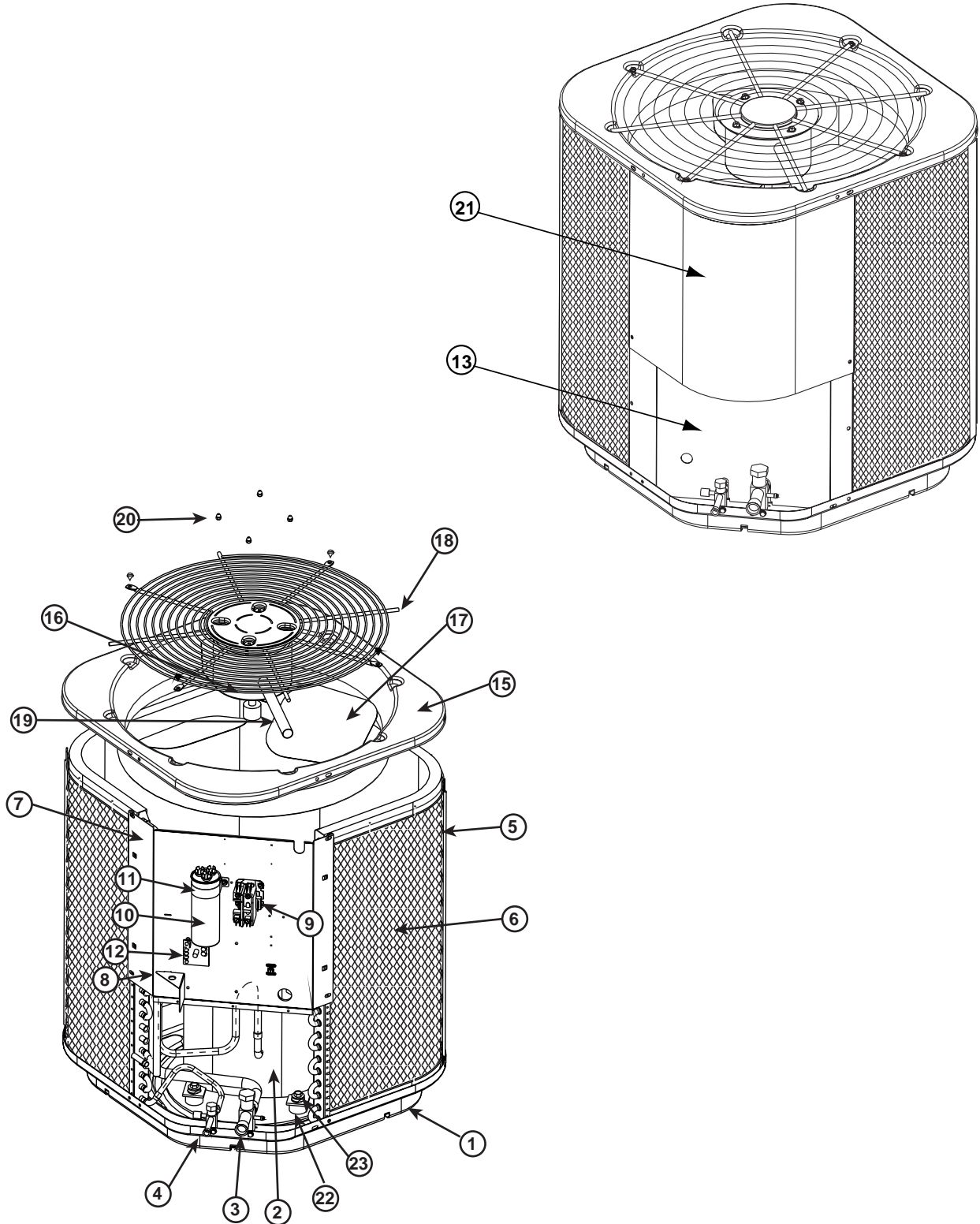


# REPLACEMENT PARTS LIST

## MS3B(A,B) and MS3BC Series

10 and 12 SEER  
Split System Air Conditioner



## MS3B(A,B) Series 10 SEER Split System Air Conditioner

ITEM	DESCRIPTION	Single Phase 208/230							
		024KA	030KA	036KA	042KA	048KA	060KA	060KB	
1	Bottom Pan	494480	494480	494480	494480	494490	494490	494490	
2	Compressor	912956	912957	914955	912958	912959	914928	914926	
3	Refrigerant Valve Large	663864	663864	663864	663864	663865	663865	663865	
4	Refrigerant Valve Small	663862	663862	663862	663862	663862	663862	663862	
5	Corner Post	273671	273671	273671	273673	273675	273674	273673	
6	Outdoor Coil (Formed)	917387	917388	917389	917391	D08550R	496946R	274521R	
	Repl. Hail Guard Kit (Not Shown)	917206	917206	917206	917206	917206	917206	917206	
7	Control Box	496540	496540	496540	496540	496540	496540	496540	
8	Low Voltage Divider	258790	258790	258790	258790	258790	258790	258790	
9	Contactora	621661	621661	621661	621661	621662	621662	621662	
10	Capacitor	620777	620762	620779	620765	620968	621466	621467	
	Capacitor (After 9/15/00)					621907	621906		
11	Capacitor Strap	258781	258781	258780	258780	258780	258780	258780	
12	Anti Short-Cycle Timer	914096	914096	914096	914096	914096	914096	914096	
13	Access Panel	374270	374270	374270	374272	374274	374273	374272	
14	Snap Bushing (Not Shown)	631323	631323	631323	631323	631323	631323	631323	
15	Top Pan	496161	496161	496161	496161	496161	496162	496162	
16	Condenser Motor 42 Frame	621865	621864	621864	621864	Not Used	Not Used	Not Used	
	Cond Motor (42 Frame) Note 1	621919	621918	621918	621918	Not Used	Not Used	Not Used	
	Condenser Motor (48 Frame)	621634	621856	621856	621856	621827	621306	Not Used	
	Condenser Motor (48 Frame) Note 1	621856	621856	621856	621856	621917	621912	621912	
17	Fan Blade	667261	667262	667262	667262	667296	667212	667212	
18	Fan Grill	669324	669324	669324	669324	669324	669344	669202	
19	Motor Wire Conduit	258950	258950	258950	258950	258950	258951	258950	
20	Nut, Flange	606248	606248	606248	606248	606248	606248	606248	
21	Control Box Cover	374260	374260	374260	374260	374260	374260	374260	
22	Grommet, Compressor	668396	668396	668396	668396	668396	668530	668530	
23	Bolt, Compressor	600284	600284	600284	600284	600284	600284	600284	

Note 1- Changed 06/01/01

## MS3BC Series 12 SEER Split System Air Conditioner

ITEM	DESCRIPTION	024K	030K	036K	042K	048K
1	Bottom Pan	494490	494490	494490	494490	494490
2	Compressor	913319	913320	913321	913322	917219
3	Refrigerant Valve (Large)	663864	663864	663864	663865	663865
4	Refrigerant Valve (Small)	663862	663862	663862	663862	663862
5	Corner Post	390663	390665	390667	390669	390669
6	Outdoor Coil (Formed)	D00091R	D00092R	D00093R	D00094R	D00094R
7	Control Box	496540	496540	496540	496540	496540
8	Low Voltage Divider	258790	258790	258790	258790	258790
9	Contactora	621661	621661	621661	621661	621662
10	Capacitor	620777	620762	620762	620763	621841
11	Capacitor Strap	258781	258781	258781	258780	258780
12	Anti Short-Cycle Timer (Field Installed)	914096	914096	914096	914096	914096
13	Access Panel	374271	374272	374273	374274	374274
14	Snap Bushing SB437-5 (Not Shown)	631323	631323	631323	631323	631323
15	Top Pan	496162	496162	496162	496162	496162
16	Fan Motor	621911	621911	621911	621912	621912
17	Fan Blade	667303	667303	667303	667212	667212
18	Fan Grille	669344	669344	669344	669344	669344
19	Motor Wire Conduit	258951	258951	258951	258951	258951
20	Nut, Flange	606248	606248	606248	606248	606248
21	Control Box Cover	374260	374260	374260	374260	374260
22	Grommet, Compressor	668396	668396	668396	668396	668530
23	Bolt, Compressor	600284	600284	600284	600284	600284
—	Replacement Hail Guard Kit (Not Shown)	917206	917206	917206	917206	917206



As an Energy Star Partner, NORDYNE has determined that our selected products meet the Energy Star guidelines for energy efficiency.

Specify Model No. and Serial No. along with the exact part number(s) when ordering parts from the nearest authorized Dealer or Service Center.



7081490 (Replaces 7079790)

Specifications and illustrations subject to change without notice and without incurring obligations. Printed in U.S.A. (08/02)