

Installation Instructions

Top Return Air Kit, #904015

! WARNING:

Installation and service must be performed by a qualified installer, service agency or gas supplier.

The M3 furnace is designed for return air from the front louvered door. However, the M3 furnace may be converted for return air from the top using this return air kit. M3 top return air kit includes:

- Front door without louvers with labels
- Filter, 16" x 25"
- Side filter bracket
- Top filter bracket

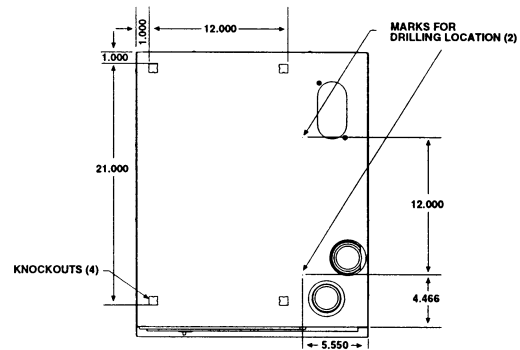
INSTALLATION (See Figure)

1. Turn off electric power to the furnace.
2. Open furnace front door
3. Draw lines from knockout to knockout on the top panel for the return air hole. Cut out the panel along the line.
4. Drill two holes each on the left side and the top panels with a 1/4" diameter drill bit. The drill hole marks should be found on the panels.
5. Install side and top filter brackets that come with the kit.

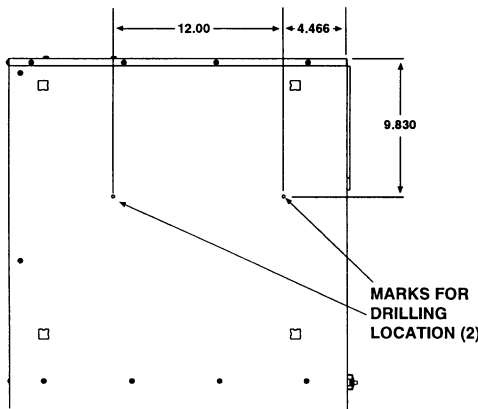
6. Install the top return air duct and ensure there is no leakage around the connection.
7. Install filter
8. Install new furnace door without louvers.
9. Turn on electric power to the furnace.

! WARNING:

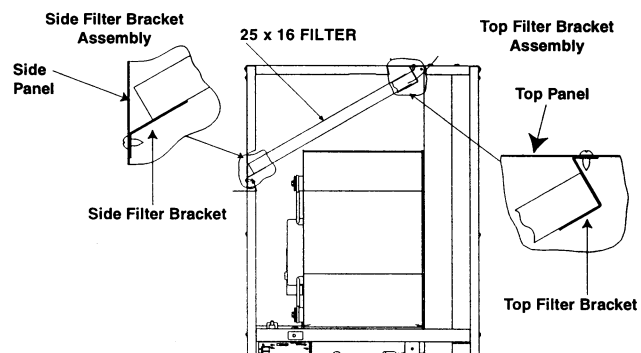
Never operate the unit without a filter in the return air system. Dust and lint in the return air can build up on the internal components, resulting in a loss of efficiency, equipment damage, and possible fire risk.



Top View



Side View



Front View

Filter Brackets and Return Air Duct Installations

7081930

