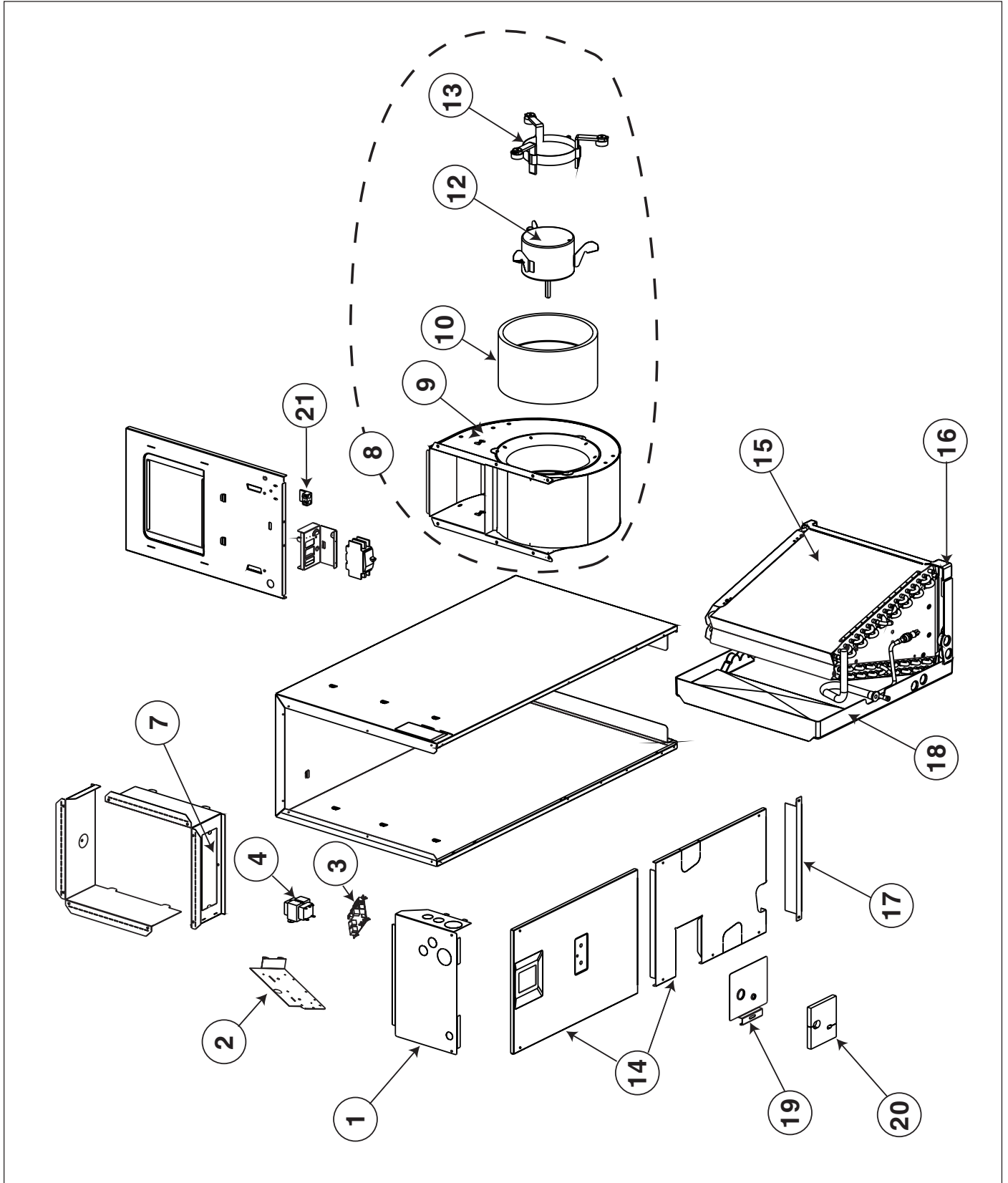


REPLACEMENT PARTS LIST

**Indoor Air Handler
(PAH1BM/PAH1VM)**



ITEM NO.	PART NO.	DESCRIPTION	Multi-poise									Variable Speed						
			024KAB	030KAB	030KBB	036KBB	042KBB	048KBB	060KCB	062KCB	066KCB	036KBB	048KBB	060KCB	062KCB	066KCB		
1	389231	Top Cap Assembly (A)	1	1														
	389393	Top Cap Assembly (B)			1	1	1	1				1	1					
	389394	Top Cap Assembly (C)									1	1	1		1	1	1	
2	M0010001	Electrical Panel Assy	1	1	1	1	1	1	1	1	1							
	M0010002	Electrical Panel Assy, VS										1	1	1	1			
	M0010007	Electrical Panel Assy										1						
	M0010010	Electrical Panel Assy, VS																1
3	903915A	Circuit Board Control	1	1	1	1	1	1	1	1	1	1	1	1	1	1	1	1
4	621709	Transformer 230V / 24V, 40VA	1	1	1	1	1	1	1	1	1	1	1	1	1	1	1	1
5	624627	Variable Speed Board (not shown)												1	1	1	1	1
6	632269	Fuse, 5 Amp (not shown)	1	1	1	1	1	1	1	1	1	1	1	1	1	1	1	1
7	226420	Plate, Element Closeoff	1	1	2	2	2	2	2	2	2	2	2	2	2	2	2	2
8	903733	Blower Assy. 10x6, 1/5HP, 60	1															
	903734	Blower Assy. 10x6, 1/3 HP, 60		1														
	903735	Blower Assy. 10x8, 1/3 HP, 60			1	1	1											
	903755	Blower Assy. 10x8, 1/2 HP, 60							1									
	903736	Blower Assy. 10x10, 3/4 HP, 60								1	1	1						
	903775	Blower Assy. 10x8, 1/2 HP, 60, Var. Spd.											1	1				
	903766	Blower Assy. 11x10, 3/4 HP, 60, Var. Spd.													1	1	1	1
9	D07481R	Blower Housing 10x6	1	1														
	D07482R	Blower Housing 10x8			1	1	1	1										
	D07483R	Blower Housing 10x10								1	1	1						
	497227	Blower Housing 11x8											1	1				
	D07484R	Blower Housing 11x10													1	1	1	1
10	667251	Blower Wheel 10 X 6	1	1														
	667037	Blower Wheel 10 X 8			1	1	1	1										
	667271	Blower Wheel 10 X 10								1	1	1						
	667258	Blower Wheel 11 X 8											1	1				
	667277	Blower Wheel 11 X 10													1	1	1	1
11	621434	Capacitor 7.5UF, 370V (not shown)	1															
	621435	Capacitor 10UF, 370V (not shown)		1	1	1	1											
	621499	Capacitor 15UF, 370V (not shown)							1									
	621500	Capacitor 20UF, 370V (not shown)									1	1	1					
12	621829	Motor, 1/5HP,230V,60, 3SPD	1															
	621830	Motor, 1/3HP,230V,60, 3SPD		1	1	1	1											
	621831	Motor, 1/2HP,230V,60, 3SPD							1									
	621891	Motor, 3/4HP,230V,60, 3SPD								1	1	1						
	622027	Motor, 1/2HP,230V,60, VARIABLE SPD											1	1				
	622028	Motor, 3/4HP,230V,60,VARIABLE SPD													1	1	1	1
13	903489	Motor Mount, 13"										1	1	1	1	1	1	1
	913871	Motor Mount, 11"								1	1	1						
14	903910	Doors, A-Cabinet, SS	1	1														
	903911	Doors, B-Cabinet, SS			1	1	1	1					1	1				
	903912	Doors, C-Cabinet, SS									1				1			
	903914	Doors, Tall C-Cabinet, SS										1	1			1	1	1
*15	917143A	Coil Assembly 024A	1															
	917083A	Coil Assembly 030/036A		1														
	917209A	Coil Assembly 036B			1													
	917210A	Coil Assembly 042B				1	1						1					
	917211A	Coil Assembly 048B								1					1			
	917408	Coil Assembly 060C									1					1		
	917213	Coil Assembly 062C										1					1	
917125	Coil Assembly 066C											1					1	
16	669357	Drain Pan (A)	1	1														
	669358	Drain Pan (B)			1	1	1	1					1	1				
	669359	Drain Pan (C)								1	1	1			1	1	1	1
17	D08764S	Filter Cover (A) - SS	1	1														
	D08765S	Filter Cover (B) - SS			1	1	1	1					1	1				
	D08766S	Filter Cover (C) - SS								1	1	1			1	1	1	1
18	669299	Horizontal Drain Pan Assembly	1	1	1	1	1	1	1	1	1		1	1	1	1	1	1
	669115	Horizontal Drain Pan Assembly										1	1				1	1
19	273451S	Close Off - SS	1	1	1	1	1	1	1	1	1	1	1	1	1	1	1	1
20	689603	Gasket, Tube Close Off	1	1	1	1	1	1	1	1	1	1	1	1	1	1	1	1
21	632235	Grounding Lug	1	1	1	1	1	1	1	1	1	1	1	1	1	1	1	1
22	669100	Coil Support Rod (not shown)	1	1	1	1	1	1	1	1	1	1	1	1	1	1	1	1
23	634632	Motor Harness (not shown)											1	1	1	1	1	1
24	266781	3-Wire Motor Harness (not shown)											1	1	1	1	1	1
25	634646	Low Voltage Harness (not shown)											1	1	1	1	1	1
26	669387	Solenoid (not shown)											1					1

* May require orifice change

708197C (Replaces 708197B)



708197C

O'Fallon, MO

NORDYNE

Specifications and illustrations subject to change without notice and without incurring obligations. Printed in U.S.A. (10/04)