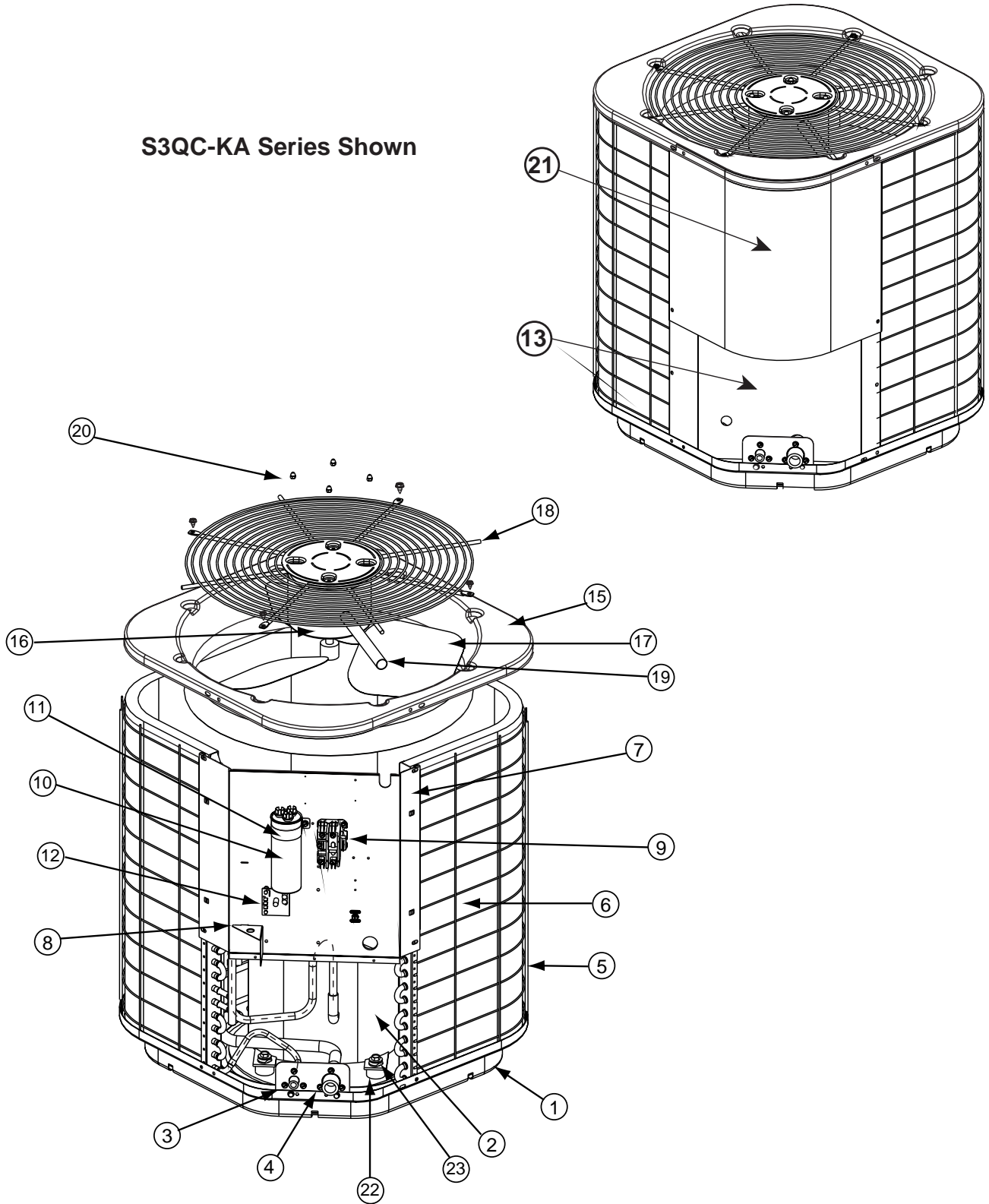


S3QC-KA Series Shown



S3QC Series

ITEM	DESCRIPTION	024KA	030KA	036KA	042KA	048KA
1	Bottom Pan	494480	494480	494480	494490	494490
2	Compressor	917950	914654	914927	917861	917243
3	Coupling, Bulkhead (Large)	663782	663782	663783	663783	663783
4	Coupling, Bulkhead (Small)	663781	663781	663781	663781	663781
5	Coil Guard (Formed)	D09292R	D09294R	D09296R	D09295R	D09297R
6	Outdoor Coil (Formed)	275272R	275273R	275274R	275281R	275282R
-	Replacement Hail Guard Kit (not shown)	917206	917206	917206	917206	917206
7	Control Box	496540	496540	496540	496540	496540
8	Low Voltage Divider	258790	258790	258790	258790	258790
9	Contactora	621661	621661	621661	621661	621662
10	Capacitor	620762	620763	621153	621697	621698
11	Capacitor strap	258781	258781	258780	258780	258780
12	Anti-Short Cycle Timer (Field installed)	621586	621586	621586	621586	621586
13	Access Panel	274012	274013	274014	274013	274014
14	Snap Bushing SB437-5 (not shown)	631323	631323	631323	631323	631323
15	Top Pan	496161	496161	496161	496162	496162
16	Fan Motor	621919	621918	621917	621972	621972
17	Fan Blade	667261	667262	667318	667316	667316
18	Fan Grille	669201	669201	669201	669202	669202
19	Motor Wire Conduit	258950	258950	258950	258951	258951
20	Nut, Acorn	606260	606260	606260	606260	606260
21	Control Box Cover	374260	374260	374260	374260	374260
22	Grommet, Compressor	668530	668530	668530	668530	668530
23	Bolt, Compressor	600284	600284	600284	600284	600284

MS3QC Series

ITEM	DESCRIPTION	024KA	030KA	036KA	042KA	048KA
1	Bottom Pan	494480	494480	494480	494490	494490
2	Compressor	917950	914654	914927	917861	917243
3	Coupling, Bulkhead (Large)	663782	663782	663783	663783	663783
4	Coupling, Bulkhead (Small)	663781	663781	663781	663781	663781
5	Corner Post	273672	273673	273674	273673	273674
6	Outdoor Coil (Formed)	275272R	275273R	275274R	275281R	275282R
-	Replacement Hail Guard Kit (not shown)	917206	917206	917206	917206	917206
7	Control Box	496540	496540	496540	496540	496540
8	Low Voltage Divider	258790	258790	258790	258790	258790
9	Contactora	621661	621661	621661	621661	621662
10	Capacitor	620762	620763	621153	621697	621698
11	Capacitor strap	258781	258781	258780	258780	258780
12	Anti-Short Cycle Timer (Field installed)	621586	621586	621586	621586	621586
13	Access Panel	274012	274013	274014	274013	274014
14	Snap Bushing SB437-5 (not shown)	631323	631323	631323	631323	631323
15	Top Pan	496161	496161	496161	496162	496162
16	Fan Motor	621919	621918	621917	621972	621972
17	Fan Blade	667261	667262	667318	667316	667316
18	Fan Grille	669324	669324	669324	669344	669344
19	Motor Wire Conduit	258950	258950	258950	258951	258951
20	Nut, Flange	606261	606261	606261	606261	606261
21	Control Box Cover	374260	374260	374260	374260	374260
22	Grommet, Compressor	668530	668530	668530	668530	668530
23	Bolt, Compressor	600284	600284	600284	600284	600284

Specify Model No. and Serial No. along with the exact part number(s) when ordering parts from the nearest authorized Dealer or Service Center.

