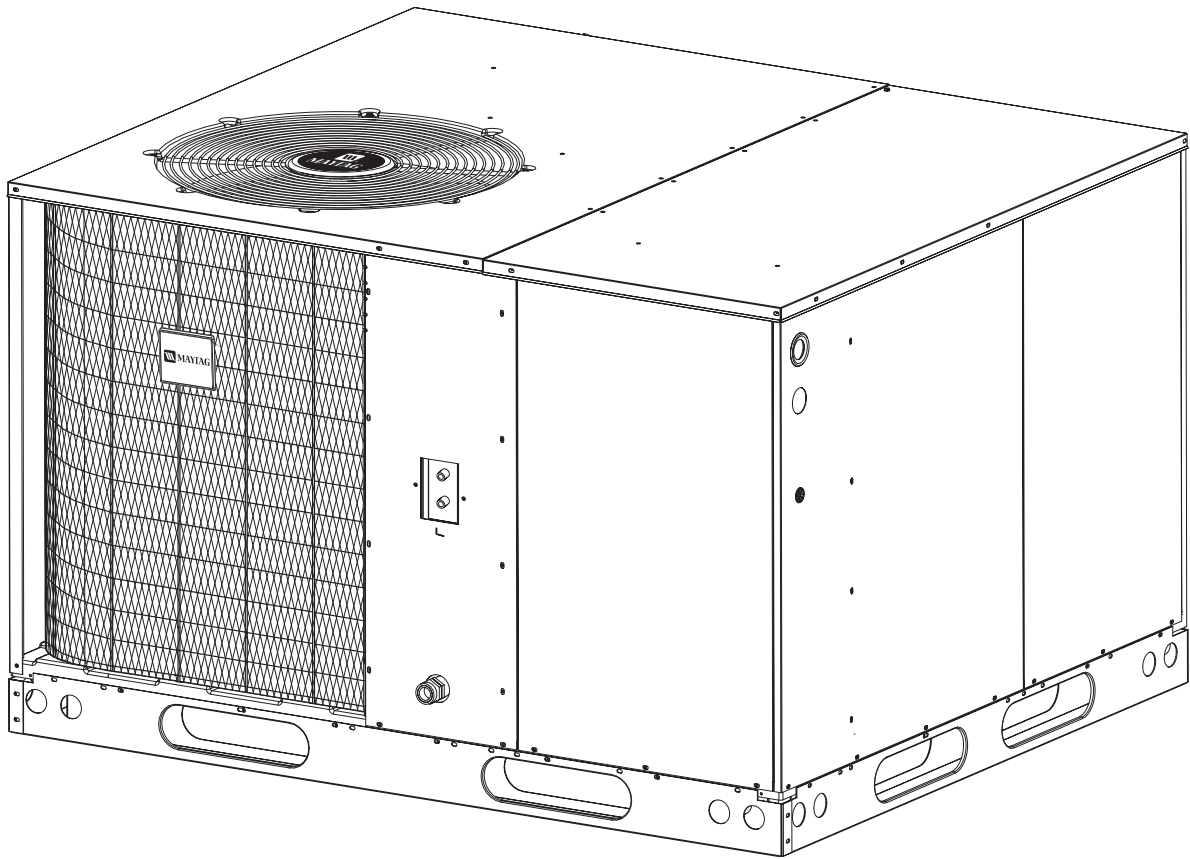


**Single Package Heat Pump  
PPH1SC Series  
12 SEER Models**



## 12 SEER Single Package Heat Pump Model PPH1SC

ITEM NO.	PART NO.	DESCRIPTION	036K	048K	060K
1	D05480R	Bottom Pan	1	1	1
2	277551	Short Base Rail	2	2	2
3	277552	Long Base Rail	2	2	2
5	D12131BR	Right Top Pan	1	1	1
6	D05660BR	Left Top Pan	1	1	1
7	D05625BR	Corner Panel	1		
	D05626BR	Corner Panel		1	1
8	D05555BR	Supply Panel	1		
	D05556BR	Supply Panel		1	1
9	D05565BR	Return Panel	1		
	D05566BR	Return Panel		1	1
10	D12462B	Front Panel	1		
	D12463B	Front Panel		1	1
11	D05542BR	Blower Panel	1		
	D05543BR	Blower Panel		1	1
12	D05542BR	Service Panel	1		
	D05543BR	Service Panel		1	1
13	D09996B	Corner Brace	1		
	D09997B	Corner Brace		1	1
14	D05502R	Divider Panel	1		
	D05503R	Divider Panel		1	1
15	D05682R	Close-Off Panel	1		
	D05683R	Close-Off Panel		1	1
16	D07452	Header Cover (not shown)	1		
	D07453	Header Cover (not shown)		1	1
17	386452	Header Cover Panel (not shown)	1		
	386453	Header Cover Panel (not shown)		1	1
18	914655	Compressor	1		
	917219	Compressor		1	
	914657	Compressor			1
19	913357	Blower Motor	1		
	914972	Blower Motor		1	1
20	667251	Blower Wheel (not shown)	1		
	667271	Blower Wheel (not shown)		1	1
21	621721	Condenser Motor	1	1	
	621740	Condenser Motor			1
22	667278	Fan Blade	1	1	
	667282	Fan Blade			1
23	621697	Dual Capacitor	1		
	621842	Dual Capacitor		1	
	621717	Dual Capacitor			1
24	621661	Contactactor	1		
	621662	Contactactor		1	1
25	621709	Transformer	1	1	1
26	D07481R	Blower Housing	1		
	D07483R	Blower Housing		1	1
27	917178	Repl Defrost Board	1	1	1
28	621435	Blower Capacitor	1		
	621499	Blower Capacitor		1	1
29	669404	Fan Grille	1	1	1
30	D09373BR	Condenser Grille	1		
	D09374BR	Condenser Grille		1	1
31	D06264R	Formed Condenser Coil	1		
	D06265R	Formed Condenser Coil		1	
	D06266R	Formed Condenser Coil			1

**12 SEER Single Package Heat Pump  
Model PPH1SC (continued)**

ITEM NO.	PART NO.	DESCRIPTION	036K	048K	060K
32	D06254R	Evap Coil	1		
	D06255R	Evap Coil		1	
	D06256R	Evap Coil			1
33	664077	Indoor Restrictor (not shown)	1		
	664090	Indoor Restrictor (not shown)		1	
	664099	Indoor Restrictor (not shown)			1
34	664061	Outdoor Restrictor (not shown)	1		
	664067	Outdoor Restrictor (not shown)		1	
	664081	Outdoor Restrictor (not shown)			1
35	279722R	Drain Channel	1	1	1
36	663717	Drain Tube	1	1	1
37	669190	Drain Pan	1	1	1
38	D05530R	Duct Cap Assy	2	2	2
39	600284	Compressor Bolt	4	4	4
40	668530	Compressor Grommet	4	4	4
41	663581	Indoor Distributor (not shown)	1		
	663584	Indoor Distributor (not shown)		1	
	663585	Indoor Distributor (not shown)			1
42	663579	Outdoor Distributor (not shown)	1		
	663582	Outdoor Distributor (not shown)		1	
	663584	Outdoor Distributor (not shown)			1
43	263394	Coil Support	1		
	263395	Coil Support		1	1
44	D05440	Drain Pan Stand	1	1	1
45	258952	Wire Conduit (not shown)	1	1	1
46	632235	Dual Ground Lug	1	1	1
47	D05432	Control Panel	1		
	D05433	Control Panel		1	1
48	689514	Wire Grommet	3	3	3
49	689513	Coil Gasket (not shown)	1	1	1
50	D05120	Low Voltage Divider	1	1	1
51	D05461	Blower Transition Panel	1		
	D05462	Blower Transition Panel		1	1
52	D05420	Electric Heat Panel	1	1	1
53	D05450	Blower Transition Side Panel	1	1	1
54	263860	Electric Heat Bracket	1	1	1
55	632214	Terminal Block	1	1	1
56	226420	Close-Off Plate	2	2	2
57	621867	Blower Relay	1	1	1
58	668853	Accumulator	1		
	668854	Accumulator		1	1
59	668767	Reversing Valve	1		
	668769	Reversing Valve		1	1
60	669343	Reversing Valve Coil	1	1	1
61	626488	Defrost Sensor (not shown)	1	1	1
62	632399	Low Pressure Switch (not shown)	1	1	1
63	917206	Repl Hail Guard Kit (not shown)	1	1	1

# Model PPH1SC

