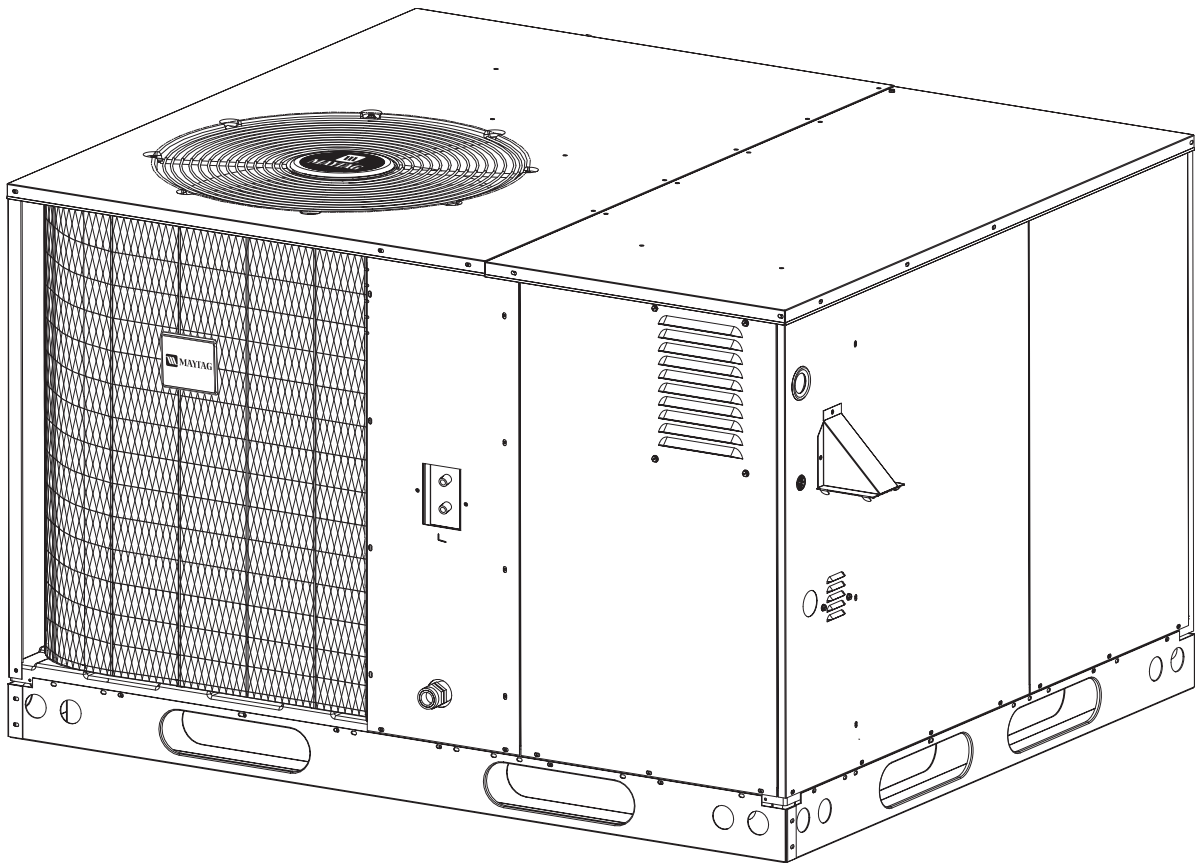


**Single Package Gas Pack  
PPG1GC Series  
12 SEER Models**





## 12 SEER Single Package Gas Pack Model PPG1GC

ITEM #	PART #	DESCRIPTION	PPG1GC024K		PPG1GC030K		PPG1GC036K		PPG1GC042K		PPG1GC048K		PPG1GC060K	
			045C	072C	045C	072C	072C	096C	072C	096C	096C	120C	096C	120C
1	D05480R	Bottom Pan Assy	1	1	1	1	1	1	1	1	1	1	1	1
2	277551	Base Rail, Short	2	2	2	2	2	2	2	2	2	2	2	2
3	277552	Base Rail, Long	2	2	2	2	2	2	2	2	2	2	2	2
5	D12131BR	Top Pan, Right w/orifice	1	1	1	1	1	1	1	1	1	1	1	1
6	D05660BR	Top Pan, Left	1	1	1	1	1	1	1	1	1	1	1	1
7	D05621BR	Corner Panel	1	1										
	D05622BR	Corner Panel			1	1	1	1	1	1				
	D05623BR	Corner Panel									1	1	1	1
8	D05551BR	Supply Panel	1	1										
	D05552BR	Supply Panel			1	1	1	1	1	1				
	D05553BR	Supply Panel									1	1	1	1
9	D05561BR	Return Panel	1	1										
	D05565BR	Return Panel			1	1	1	1	1	1				
	D05566BR	Return Panel									1	1	1	1
10	D12461B	Front Panel	1	1										
	D12462B	Front Panel			1	1	1	1	1	1				
	D12463B	Front Panel									1	1	1	1
11	D05541BR	Blower Panel	1	1										
	D05542BR	Blower Panel			1	1	1	1	1	1				
	D05543BR	Blower Panel									1	1	1	1
12	D07241BR	Service Panel	1	1										
	D07242BR	Service Panel			1	1	1	1	1	1				
	D07243BR	Service Panel									1	1	1	1
13	D05071	Heat Exchanger Divider Panel	1	1										
	D05072	Heat Exchanger Divider Panel			1	1	1	1	1	1				
	D05073	Heat Exchanger Divider Panel									1	1	1	1
14	D09994B	Corner Brace	1	1										
	D09996B	Corner Brace			1	1	1	1	1	1				
	D09997B	Corner Brace									1	1	1	1
15	D05501R	Divider Panel	1	1										
	D05502R	Divider Panel			1	1	1	1	1	1				
	D05503R	Divider Panel									1	1	1	1
16	D05681R	Close-off Panel	1	1										
	D05682R	Close-off Panel			1	1	1	1	1	1				
	D05683R	Close-off Panel									1	1	1	1
17	D07451	Header Cover (not shown)	1	1										
	D07452	Header Cover (not shown)			1	1	1	1	1	1				
	D07453	Header Cover (not shown)									1	1	1	1
18	386451	Header Cover Access Panel (not shown)	1	1										
	386452	Header Cover Access Panel (not shown)			1	1	1	1	1	1				
	386453	Header Cover Access Panel (not shown)									1	1	1	1
19	913319	Compressor, CR20K6-PFV-960	1	1										
	913320	Compressor, CR24K6-PFV-960			1	1								
	913321	Compressor, CR30K6-PFV-960					1	1						
	913322	Compressor, CR35K6-PFV-960							1	1				
	917219	Compressor, ZR47K3-PFV									1	1		
	914657	Compressor, ZR57K3-PFV-950											1	1
20	913357	Blower Motor	1	1	1	1								
	914972	Blower Motor					1	1	1	1				
	913359	Blower Motor									1	1	1	1
21	667251	Blower Wheel (not shown)	1	1	1	1								
	667271	Blower Wheel (not shown)					1	1	1	1				
	667277	Blower Wheel (not shown)									1	1	1	1
22	621721	Condenser Motor	1	1	1	1	1	1	1	1	1	1	1	1
	667279	Fan Blade	1	1										
23	667278	Fan Blade			1	1	1	1	1	1	1	1		
	667282	Fan Blade											1	1
	621084	Dual Capacitor 30/7.5/370 (not shown)	1	1										
24	620887	Dual Capacitor 35/7.5/370 (not shown)			1	1	1	1						
	620888	Dual Capacitor 40/7.5/370 (not shown)							1	1				
	621842	Dual Capacitor 60/7.5/440 (not shown)									1	1		
	621717	Dual Capacitor 80/7.5/370 (not shown)											1	1

## 12 SEER Single Package Gas Pack Model PPG1GC (continued)

ITEM #	PART #	DESCRIPTION	PPG1GC024K		PPG1GC030K		PPG1GC036K		PPG1GC042K		PPG1GC048K		PPG1GC060K	
			045C	072C	045C	072C	072C	096C	072C	096C	096C	120C	096C	120C
25	621661	Contactora, Single Pole, 25A (not shown)	1	1	1	1	1	1	1	1				
	621662	Contactora, Single Pole, 35A (not shown)									1	1	1	1
26	621709	Transformer, 40 VA (not shown)	1	1	1	1	1	1	1	1	1	1	1	1
27	D07481R	Blower Housing 10" X 6"	1	1	1	1								
	D07483R	Blower Housing 10" X 10"					1	1	1	1				
	D07484R	Blower Housing 11" X 10"									1	1	1	1
28	621586	Anti Short Cycle Timer (not shown)	1	1	1	1	1	1	1	1	1	1	1	1
29	903106	Repl. Control Board Kit (not shown)	1	1	1	1	1	1	1	1	1	1	1	1
30	621435	Blower Motor Capacitor, 10/370	1	1	1	1								
	621499	Blower Motor Capacitor, 15/370					1	1	1	1				
	621500	Blower Motor Capacitor, 20/370									1	1	1	1
31	669404	Fan Grille	1	1	1	1	1	1	1	1	1	1	1	1
32	D09371BR	Coil Guard, 30" x 60"	1	1										
	D09373BR	Coil Guard, 34" x 76"			1	1	1	1	1	1				
	D09374BR	Coil Guard, 38" x 76"									1	1	1	1
33	D05821R	Formed Condenser Coil	1	1										
	D05822R	Formed Condenser Coil			1	1								
	D05823R	Formed Condenser Coil					1	1						
	D05824R	Formed Condenser Coil							1	1				
	D05825R	Formed Condenser Coil									1	1		
	D05826R	Formed Condenser Coil											1	1
34	D05811R	Evap. Coil	1	1										
	D05812R	Evap. Coil			1	1								
	D05813R	Evap. Coil					1	1						
	D05814R	Evap. Coil							1	1				
	D05815R	Evap. Coil									1	1		
	D05816R	Evap. Coil											1	1
35	664065	Restrictor (.065")(not shown)	1	1										
	664071	Restrictor (.071")(not shown)			1	1								
	664077	Restrictor (.077")(not shown)					1	1						
	664085	Restrictor (.085")(not shown)							1	1				
	664090	Restrictor (.090")(not shown)									1	1		
	664105	Restrictor (.105+C19)(not shown)											1	1
36	279722R	Drain Channel	1	1	1	1	1	1	1	1	1	1	1	1
37	663833	Drain Tube	1	1	1	1	1	1	1	1	1	1	1	1
38	669190	Drain Pan	1	1	1	1	1	1	1	1	1	1	1	1
39	D05530R	Duct Cap Assy	2	2	2	2	2	2	2	2	2	2	2	2
40	600284	Compressor Bolt	4	4	4	4	4	4	4	4	4	4	4	4
	668396	Compressor Grommet	4	4	4	4	4	4	4	4	4	4	4	4
41	668530	Compressor Grommet									4	4	4	4
	663579	Distributor (3 circuit)(not shown)	1	1										
42	663581	Distributor (4 circuit)(not shown)			1	1								
	663582	Distributor (5 circuit)(not shown)					1	1	1	1				
	663584	Distributor (6 circuit)(not shown)									1	1		
	663585	Distributor (8 circuit)(not shown)											1	1
	263392	Coil Support	1	1										
43	263394	Coil Support			1	1	1	1	1	1				
	263395	Coil Support									1	1	1	1
	D05440	Drain Pan Stand	1	1	1	1	1	1	1	1	1	1	1	1
45	273041	Wind and Rain Panel (not shown)	1	1	1	1	1	1	1	1	1	1	1	1
46	265040R	Vent Cover Assy	1	1	1	1	1	1	1	1	1	1	1	1
47	258952	Wire Conduit (not shown)	1	1	1	1	1	1	1	1	1	1	1	1
48	631431	Ground Lug (not shown)	1	1	1	1	1	1	1	1	1	1	1	1
49	D06590	Control Box (not shown)	1	1	1	1	1	1	1	1	1	1	1	1
50	689514	Wire Grommet (not shown)	2	2	2	2	2	2	2	2	2	2	2	2
51	689506	Collector Pan Gasket	1	1	1	1	1	1	1	1	1	1	1	1
52	689513	Coil Gasket (not shown)	1	1	1	1	1	1	1	1	1	1	1	1
53	689518	Inducer Motor Gasket	1	1	1	1	1	1	1	1	1	1	1	1
54	903162	Repl. Inducer Motor	1	1	1	1	1	1	1	1	1	1	1	1

## 12 SEER Single Package Gas Pack Model PPG1GC (continued)

ITEM #	PART #	DESCRIPTION	PPG1GC024K		PPG1GC030K		PPG1GC036K		PPG1GC042K		PPG1GC048K		PPG1GC060K	
			045C	072C	045C	072C	072C	096C	072C	096C	096C	120C	096C	120C
55	632385	Pressure Switch	1	1	1	1	1	1	1	1	1	1	1	1
56	626434	Limit Switch 180/20	1		1		1		1					
	626467	Limit Switch 200/20		1		1								
	626432	Limit Switch 165/20					1		1	1	1	1	1	1
57	263420	Exhaust Duct Assy	1	1	1	1	1	1	1	1	1	1	1	1
58	263967	High Temperature Hose	1	1	1	1	1	1	1	1	1	1	1	1
59	D05771R	Burner Assy (2 tube)	1		1									
	D05772R	Burner Assy (3 tube)		1		1	1		1					
	D05773R	Burner Assy (4 tube)						1		1	1		1	
	D05774R	Burner Assy (5 tube)										1		1
60	624586	Gas Valve	1	1	1	1	1	1	1	1	1	1	1	1
61	661043	Burner Orifice, Nat (43 drill)(not shown)	1	1	1	1	1	1	1	1	1	1	1	1
62	663549	Manifold Assy (2 tube)	1		1									
	663550	Manifold Assy (3 tube)		1		1	1		1					
	663551	Manifold Assy (4 tube)						1		1	1		1	
	663552	Manifold Assy (5 tube)										1		1
63	632396	Flame Sensor (not shown)	1	1	1	1	1	1	1	1	1	1	1	1
64	660812	Inshot Burner (not shown)	1	1	1	1	1	1	1	1	1	1	1	1
65	626352	Roll-out Limit Switch (250°F)(not shown)	1		1			1		1	1		1	
	626417	Roll-out Limit Switch (210°F)(not shown)		1		1	1		1					
	626375	Roll-out Limit Switch (290°F)(not shown)										1		1
66	903179	Repl. Ignitor Assy (not shown)	1	1	1	1	1	1	1	1	1	1	1	1
67	903473	Heat Exchanger	1											
	903474	Heat Exchanger			1									
	903475	Heat Exchanger		1										
	903476	Heat Exchanger			1	1			1					
	903478	Heat Exchanger						1		1				
	903479	Heat Exchanger									1		1	
68	380570	Deflector Bracket	2	2	2	2	2	2	2	2	2	2	2	2
69	384580	Heat Exch Support Bracket	1	1	1	1	1	1	1	1	1	1	1	1
70	D06600	Heat Exchanger Baffle	1	1	1	1	1	1	1	1	1	1	1	1
71	689497	Control Box Insulation (not shown)	1	1	1	1	1	1	1	1	1	1	1	1
72	689477	Right Bottom Pan Insulation (not shown)	1	1	1	1	1	1	1	1	1	1	1	1
73	689532	Left Bottom Pan Insulation	1	1	1	1	1	1	1	1	1	1	1	1
74	689494	Corner Panel Insulation (not shown)	1	1										
	689495	Corner Panel Insulation (not shown)			1	1	1	1	1					
	689496	Corner Panel Insulation (not shown)								1	1	1	1	1
75	D05120	Low Voltage Divider (not shown)	1	1	1	1	1	1	1	1	1	1	1	1
76	D07431	Blower Discharge Panel	1	1	1	1								
	D07433	Blower Discharge Panel					1	1	1	1	1	1	1	1
77	D07421	Blower Shelf	1	1										
	D07422	Blower Shelf			1	1	1	1	1	1	1	1	1	1
80	632399	Low Pressure Switch (not shown)	1	1	1	1	1	1	1	1	1	1	1	1
81	917206	Repl. Hail Guard Kit (not shown)	1	1	1	1	1	1	1	1	1	1	1	1
82	D10321R	Collector Pan	1		1									
	D10322R	Collector Pan		1		1	1		1					
	D10323R	Collector Pan						1		1	1		1	
	D10324R	Collector Pan										1		1
83	632261	Fuse (not shown)	1	1	1	1	1	1	1	1	1	1	1	1

# Model PPG1GC

