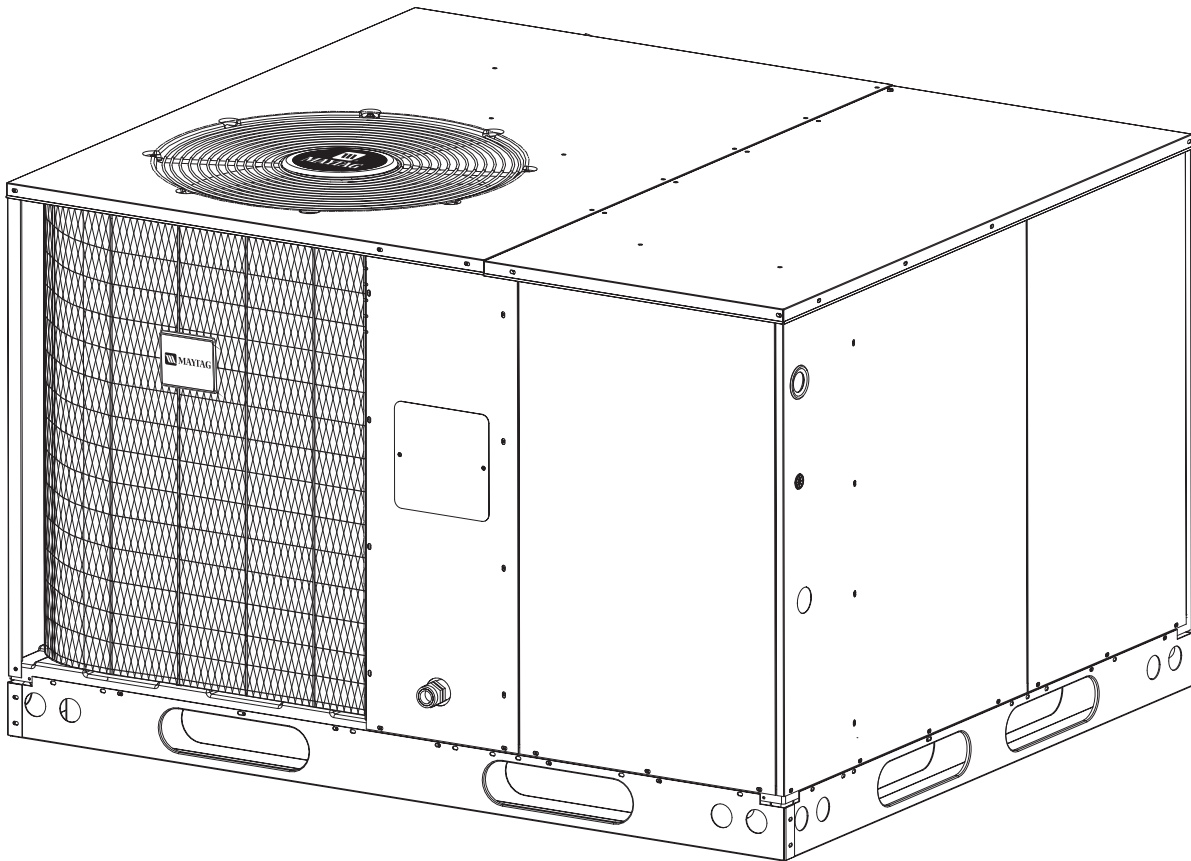


**Single Package Heat Pump**

**PPH1SD Series**

**13 SEER Models**



## Models PPH1SD

REPLACEMENT PARTS LIST			PPH1SD 024K	PPH1SD 030K	PPH1SD 036K	PPH1SD 042K	PPH1SD 048K	PPH1SD 060K
Item	Part #	Description	918517P	918518P	918519P	918520P	918521P	918522P
1	D05480R	Bottom Pan	1	1	1	1	1	1
2	277551	Short Base Rail	2	2	2	2	2	2
3	277552	Long Base Rail	2	2	2	2	2	2
4	D12131BR	Right Top Pan	1	1	1	1	1	1
5	D05660BR	Left Top Pan	1	1	1	1	1	1
6	D05625BR	Corner Panel	1	1	1			
	D05626BR	Corner Panel				1	1	1
7	D05555BR	Supply Panel	1	1	1			
	D05556BR	Supply Panel				1	1	1
8	D05565BR	Return Panel	1	1	1			
	D05566BR	Return Panel				1	1	1
9	280642B	Front Panel	1	1	1			
	280643B	Front Panel				1	1	1
10	D05542BR	Blower Panel	1	1	1			
	D05543BR	Blower Panel				1	1	1
11	D05542BR	Service Panel	1	1	1			
	D05543BR	Service Panel				1	1	1
12	D09996B	Corner Brace	1	1	1			
	D09997B	Corner Brace				1	1	1
13	D05502R	Divider Panel	1	1	1			
	D05503R	Divider Panel				1	1	1
14	D05682R	Close-Off Panel	1	1	1			
	D05683R	Close-Off Panel				1	1	1
15	D07452	Header Cover (Not Shown)	1	1	1			
	D07453	Header Cover (Not Shown)				1	1	1
16	386452	Header Cover Panel (Not Shown)	1	1	1			
	386453	Header Cover Panel (Not Shown)				1	1	1
17	917950	Compressor	1					
	914654	Compressor		1				
	918423	Compressor			1			
	914656	Compressor				1		
	918788	Compressor					1	
	918103	Compressor						1
18	M0018203R	Blower Motor	1	1	1			
	M0018204R	Blower Motor				1	1	1
19	667271	Blower Wheel (Not Shown)	1	1	1	1	1	1
20	621721	Condenser Motor	1	1	1			
	621740	Condenser Motor				1	1	1
21	667278	Fan Blade	1	1	1			
	667282	Fan Blade				1	1	1
22	620887	Dual Capacitor	1					
	620888	Dual Capacitor		1				
	621697	Dual Capacitor			1			
	621699	Dual Capacitor				1		
	621842	Dual Capacitor					1	
	621717	Dual Capacitor						1
23	621661	Contactors	1	1	1			
	621662	Contactors				1	1	1
24	621709	Transformer	1	1	1	1	1	1
25	D07483R	Blower Housing	1	1	1	1	1	1
26	634654	VS Blower Wire Harness (Not Shown)	1	1	1	1	1	1
27	624627	VS Blower Control Board (Not Shown)	1	1	1	1	1	1
28	917178	Repl Defrost Board	1	1	1	1	1	1

## Models PPH1SD

REPLACEMENT PARTS LIST			PPH1SD 024K	PPH1SD 030K	PPH1SD 036K	PPH1SD 042K	PPH1SD 048K	PPH1SD 060K
Item	Part #	Description	918517P	918518P	918519P	918520P	918521P	918522P
29	669404	Fan Grille	1	1	1	1	1	1
30	D09373BR	Coil Guard	1	1	1			
	D09374BR	Coil Guard				1	1	1
31	D06262R	Formed Condenser Coil	1	1	1			
	D06265R	Formed Condenser Coil				1	1	
	D06266R	Formed Condenser Coil						1
32	283091R	Evap Coil	1	1	1			
	D06255R	Evap Coil				1	1	
	D06256R	Evap Coil						1
33	669446	Thermal Expansion Valve (Not Shown)	1	1	1			
	669447	Thermal Expansion Valve (Not Shown)				1		
	669448	Thermal Expansion Valve (Not Shown)					1	1
34	664053	Outdoor Restrictor (Not Shown)	1					
	664055	Outdoor Restrictor (Not Shown)		1				
	664059	Outdoor Restrictor (Not Shown)			1			
	664063	Outdoor Restrictor (Not Shown)				1		
	664067	Outdoor Restrictor (Not Shown)					1	
	664083	Outdoor Restrictor (Not Shown)						1
35	279722R	Drain Channel	1	1	1	1	1	1
36	663717	Drain Tube	1	1	1	1	1	1
37	669190	Drain Pan	1	1	1	1	1	1
38	D05530R	Duct Cap Assy	2	2	2	2	2	2
39	600284	Compressor Bolt	4	4	4	4	4	4
40	668530	Compressor Grommet	4	4	4	4	4	4
41	663579	Indoor Distributor (Not Shown)	1	1	1			
	663584	Indoor Distributor (Not Shown)				1	1	
	663587	Indoor Distributor (Not Shown)						1
42	663581	Outdoor Distributor (Not Shown)	1	1	1			
	663582	Outdoor Distributor (Not Shown)				1	1	
	663584	Outdoor Distributor (Not Shown)						1
43	263394	Coil Support	1	1	1			
	263395	Coil Support				1	1	1
44	D05440	Drain Pan Stand	1	1	1	1	1	1
45	258952	Wire Conduit (Not Shown)	1	1	1	1	1	1
46	632235	Dual Ground Lug	1	1	1	1	1	1
47	D05432	Control Panel	1	1	1			
	D05433	Control Panel				1	1	1
48	689514	Wire Grommet	1	1	1	1	1	1
49	D05120	Low Voltage Divider	1	1	1	1	1	1
50	D05462	Blower Transition Panel	1	1	1	1	1	1
51	D05420	Electric Heat Panel	1	1	1	1	1	1
52	D05450	Blower Transition Side Panel	1	1	1	1	1	1
53	263860	Electric Heat Bracket	1	1	1	1	1	1
54	226420	Close-Off Plate	2	2	2	2	2	2
55	668853	Accumulator	1	1	1			
	668854	Accumulator				1	1	1
56	668767	Reversing Valve	1	1	1			
	668769	Reversing Valve				1	1	1
57	669343	Reversing Valve Coil	1	1	1	1	1	1
58	626488	Defrost Sensor (Not Shown)	1	1	1	1	1	1
59	632399	Low Pressure Switch (Not Shown)	1	1	1	1	1	1
60	280651B	Service Access Cover	1	1	1	1	1	1

# Models PPH1SD

