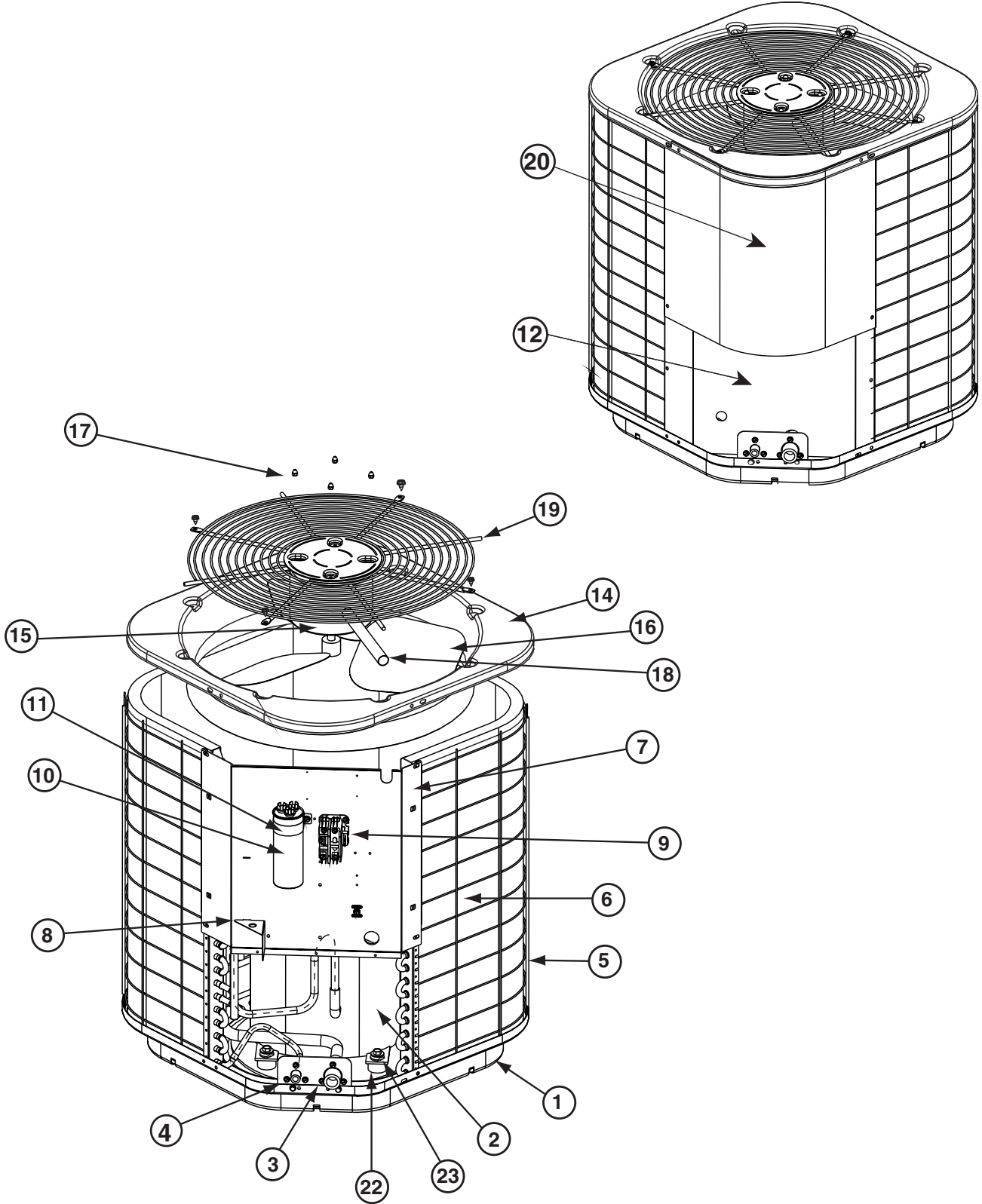


REPLACEMENT PARTS LIST

S5BD-KA and S5QD-KA Series

Manufactured Housing
13 SEER Split System Air Conditioner



S5BD-KA Series

ITEM	DESCRIPTION	018KA	024KA	030KA	036KA	042KA	048KA	060KA
1	Bottom Pan	494480	494480	494480	494480	494490	494490	494490
	Compressor	919099	919100	919101	919102	919103	919104	919105
2	Molded Compressor Plug	634658	634658	634658	634659	634659	634660	634660
3	Refrigerant Valve, Large	664276	664276	664276	664276	663923	663923	663923
4	Refrigerant Valve, Small	663862	663862	663862	663862	663862	663862	663862
5	Coil Guard (Formed)	D09291R	D09292R	D09296R	D09296R	D09295R	D09295R	D09401R
	Outdoor Coil (Formed)	276361R	498206R	275284R	275284R	275283R	275283R	275288R
6	Repl. Hail Guard Kit (Not Shown)	917206	917206	917206	917206	917206	917206	917206
7	Control Box	277361	277361	277361	277361	277361	277361	277361
8	Low Voltage Divider	258790	258790	258790	258790	258790	258790	258790
9	Contacto	621661	621661	621661	621661	621661	621662	621665
10	Capacitor	621969	620762	621635	621697	621697	621699	621717
11	Capacitor Strap	258781	258781	258781	258780	258780	258780	258780
12	Access Panel	274011	274012	274014	274014	274013	274013	274016
13	Snap Bushing (Not Shown)	631670	631670	631670	631670	631670	631670	631670
14	Top Pan	496161	496161	496161	496161	496162	496162	496162
15	Condenser Motor	621952	621919	621919	621917	621990	621990	621990
16	Fan Blade	667315	667261	667261	667318	667316	667316	667316
17	Nut, Flange	606260	606260	606260	606260	606260	606260	606260
18	Motor Wire Conduit	664158	664158	664158	664158	664162	664162	664162
19	Fan Grill	669201	669201	669201	669201	669202	669202	669202
20	Control Box Cover	276921	276921	276921	276921	276921	276921	276921
22	Grommet, Compressor	668530	668530	668530	668530	668530	668530	668530
23	Bolt, Compressor	600400	600400	600400	600400	600400	600400	600400
25	Tee, Copper (Not Shown)	662226	662226	662226	662226	662226	662226	662226
26	Set of Wires (Not Shown)	285465	285465	285465	285465	285465	285465	285465
27	Liquid Line Solenoid Kit (Not Shown)	917357	917357	917357	917357	917357	917357	917357

S5QD-KA Series

ITEM	DESCRIPTION	018KA	024KA	030KA	036KA	042KA	048KA	060KA
1	Bottom Pan	494480	494480	494480	494480	494490	494490	494490
	Compressor	919099	919100	919101	919102	919103	919104	919105
2	Molded Compressor Plug	634658	634658	634658	634659	634659	634660	634660
	Coupling, Bulkhead Large	663782	663782	663782	663782	663783	663783	663783
3	Mounting Flange, Large	663011	663011	663011	663011	663011	663011	663011
	Coupling, Bulkhead Small	663781	663781	663781	663781	663781	663781	663781
4	Mounting Flange, Small	663012	663012	663012	663012	663012	663012	663012
5	Coil Guard (Formed)	D09291R	D09292R	D09296R	D09296R	D09295R	D09295R	D09401R
	Outdoor Coil (Formed)	276361R	498206R	275274R	275274R	274521R	274521R	275288R
6	Repl. Hail Guard Kit (Not Shown)	917206	917206	917206	917206	917206	917206	917206
7	Control Box	277361	277361	277361	277361	277361	277361	277361
8	Low Voltage Divider	258790	258790	258790	258790	258790	258790	258790
9	Contacto	621661	621661	621661	621661	621661	621662	621665
10	Capacitor	622046	621635	621636	621698	621698	621698	621717
11	Capacitor Strap	258781	258781	258781	258780	258780	258780	258780
12	Access Panel	274011	274012	274014	274014	274013	274013	274016
13	Snap Bushing (Not Shown)	631670	631670	631670	631670	631670	631670	631670
14	Top Pan	496161	496161	496161	496161	496162	496162	496162
15	Condenser Motor	621952	621919	621919	621917	621990	621990	621990
16	Fan Blade	667315	667261	667261	667318	667316	667316	667316
17	Nut, Flange	606260	606260	606260	606260	606260	606260	606260
18	Motor Wire Conduit	664158	664158	664158	664158	664162	664162	664162
19	Fan Grill	669201	669201	669201	669201	669202	669202	669202
20	Control Box Cover	276921	276921	276921	276921	276921	276921	276921
22	Grommet, Compressor	668530	668530	668530	668530	668530	668530	668530
23	Bolt, Compressor	600400	600400	600400	600400	600400	600400	600400
25	Tee, Copper (Not Shown)	662226	662226	662226	662226	662226	662226	662226
26	Set of Wires (Not Shown)	285465	285465	285465	285465	285465	285465	285465
27	Liquid Line Solenoid Kit (Not Shown)	917357	917357	917357	917357	917357	917357	917357

Specify Model No. and Serial No. along with the exact part number(s) when ordering parts from the nearest authorized Dealer or Service Center.



7085670

7085670

Specifications and illustrations subject to change
without notice and without incurring obligations.
Printed in U.S.A. (06/06)