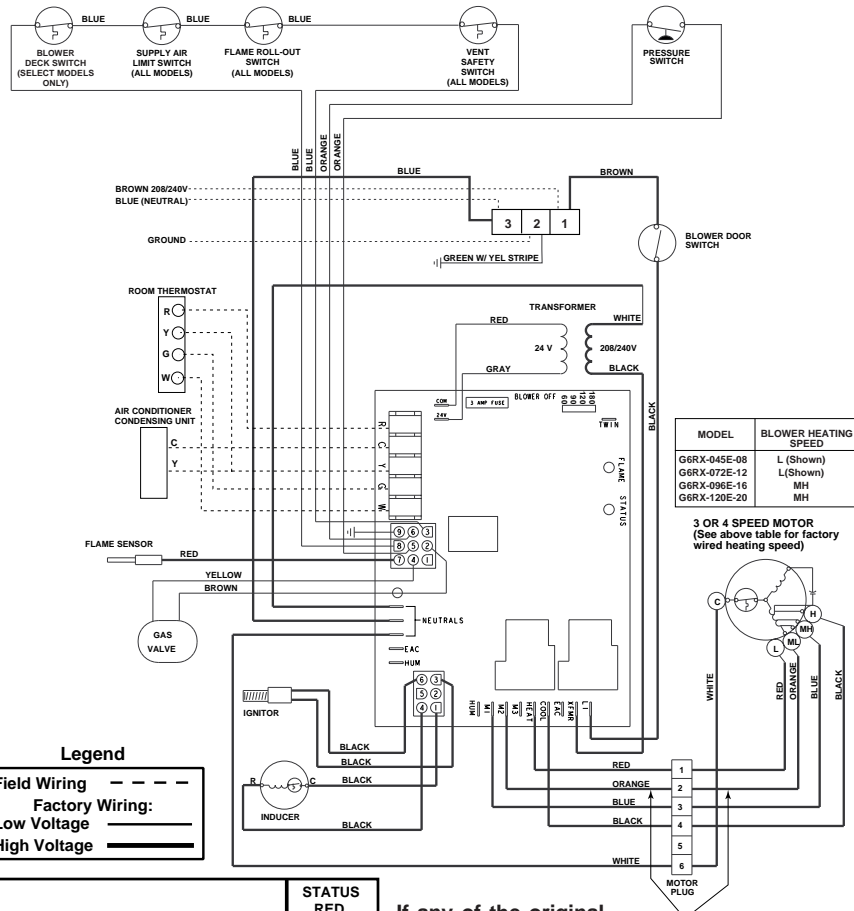


WIRING DIAGRAM

For 80+ 220V/50Hz Model Furnaces



Legend

| | |
|-----------------|-----------|
| Field Wiring | - - - - - |
| Factory Wiring: | ————— |
| Low Voltage | ————— |
| High Voltage | ————— |

| FAULT CONDITION | STATUS RED LIGHT |
|---|--------------------|
| Power On | ON |
| Limit Circuit Open | 1 FLASH |
| Pressure Switch Stuck Open | 2 FLASHES |
| Pressure Switch Stuck Closed | 3 FLASHES |
| Ignition Failure (Check Ground) | 4 FLASHES |
| 115 VAC & Neutral Reversed or no Ground | 5 FLASHES |
| False Flame or Gas Valve Relay Shorted | Continuous |
| Power Off | OFF |
| FAULT CONDITION | FLAME YELLOW LIGHT |
| Low Flame Sensor Signal | Continuous Flash |
| Flame Present | ON |

If any of the original wire as supplied with the furnace must be replaced, it must be replaced with wiring material having a temperature rating of at least 105° C.

Use copper conductors only.

THESE WIRES ARE NOT PRESENT ON 3 SPEED MODELS

7103240
(Replaces 7101070)

