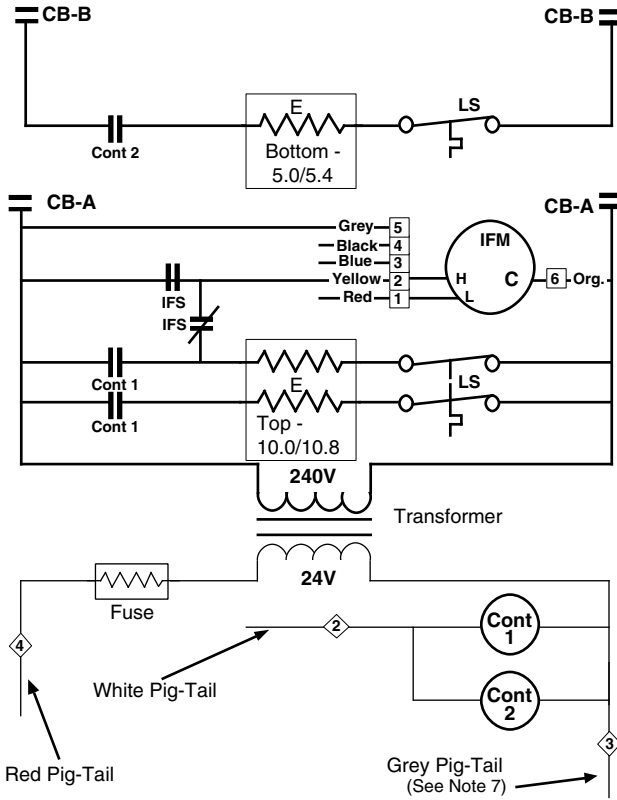


# WIRING DIAGRAM

Models: E3EH-015H, 017H

## ⚠ WARNING

Switch circuit breakers to the "off" position before servicing the furnace.



### Notes :

- 1) See unit data label for recommended supply wire sizes.
- 2) Thermostat anticipator setting : 0.40 Amps
- 3) To change blower speed on units without a relay box installed refer to installation instructions
- 4) Refer to furnace and/or relay box installation instructions for thermostat connections.
- 5) If any wire in this unit is to be replaced it must be replaced with 105°C thermoplastic copper wire of the same gauge.
- 6) Not suitable for use on systems exceeding 120V to ground.
- 7) This wire is used with some accessories. See accessory Installation Instructions for further detail.
- 8) Refer to Installation Instructions for complete wiring diagram.

### Legend:

IFM = Fan Motor  
 CB = Circuit Breaker  
 E = Heater Element  
 IFS = Fan Switch  
 Cont = Contactor  
 LS = Limit Switch  
 □ = Fan Plug  
 ◇ = Control Plug

7103820

