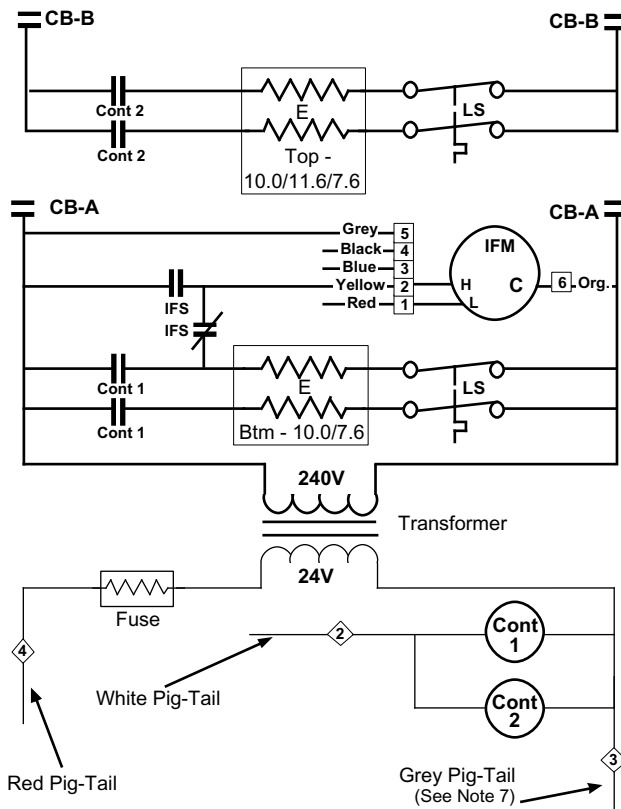


WIRING DIAGRAM

Models: E3EH-020H, 023H,
E2EH-015HBR

WARNING

Switch circuit breakers to the "off" position before servicing the furnace.



Notes :

- 1) See unit data label for recommended supply wire sizes.
- 2) Thermostat anticipator setting : 0.40 Amps
- 3) To change blower speed on units without a relay box installed refer to installation instructions
- 4) Refer to furnace and/or relay box installation instructions for thermostat connections.
- 5) If any wire in this unit is to be replaced it must be replaced with 105°C thermoplastic copper wire of the same gauge.
- 6) Not suitable for use on systems exceeding 120V to ground.
- 7) This wire is used with some accessories. See accessory Installation Instructions for further detail.
- 8) Refer to Installation Instructions for complete wiring diagram.

Legend:

IFM = Fan Motor
 CB = Circuit Breaker
 E = Heater Element
 IFS = Fan Switch
 Cont = Contactor
 LS = Limit Switch
 □ = Fan Plug
 ◇ = Control Plug

7103830

