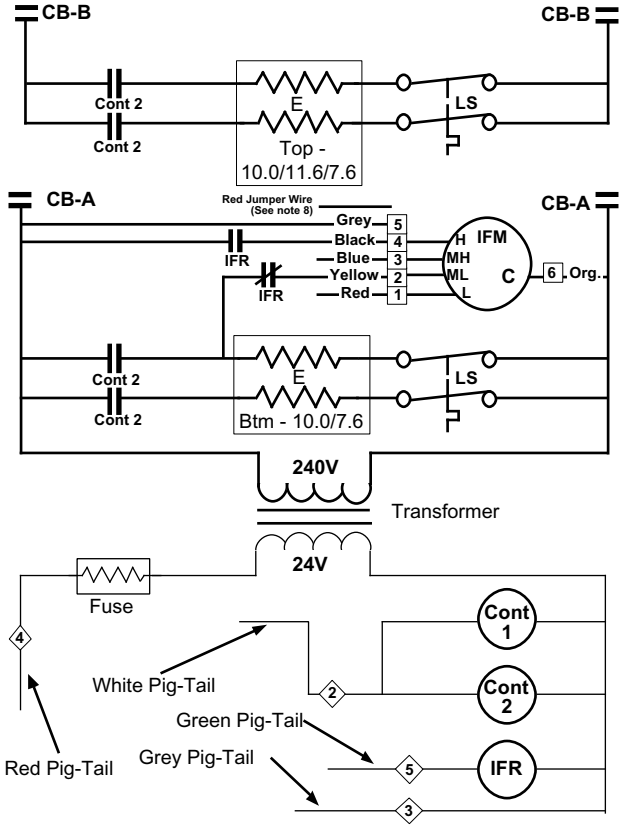


# WIRING DIAGRAM

Models: E3EB-020H, 023H, 023H-5 Ton  
E2EB-015HBR

**⚠ WARNING**  
Switch circuit breakers to the "off" position before servicing the furnace.



- Notes :**
- 1) See unit data label for recommended supply wire sizes.
  - 2) Thermostat anticipator setting : 0.40 Amps
  - 3) To change blower speed on units without a relay box installed refer to installation instructions
  - 4) Refer to furnace and/or relay box installation instructions for thermostat connections.
  - 5) If any wire in this unit is to be replaced it must be replaced with 105°C thermoplastic copper wire of the same gauge.
  - 6) Not suitable for use on systems exceeding 120V to ground.
  - 7) Refer to Installation Instructions for complete wiring diagram.
  - 8) Heating and cooling may be wired on the same speed using either a relay box or the provided jumper wire.

**Legend:**

IFM = Fan Motor  
 CB = Circuit Breaker  
 E = Heater Element  
 Cont = Contactor  
 IFR = Fan Relay  
 LS = Limit Switch  
 = Fan Plug  
 = Control Plug

7103870

