

WIRING DIAGRAM

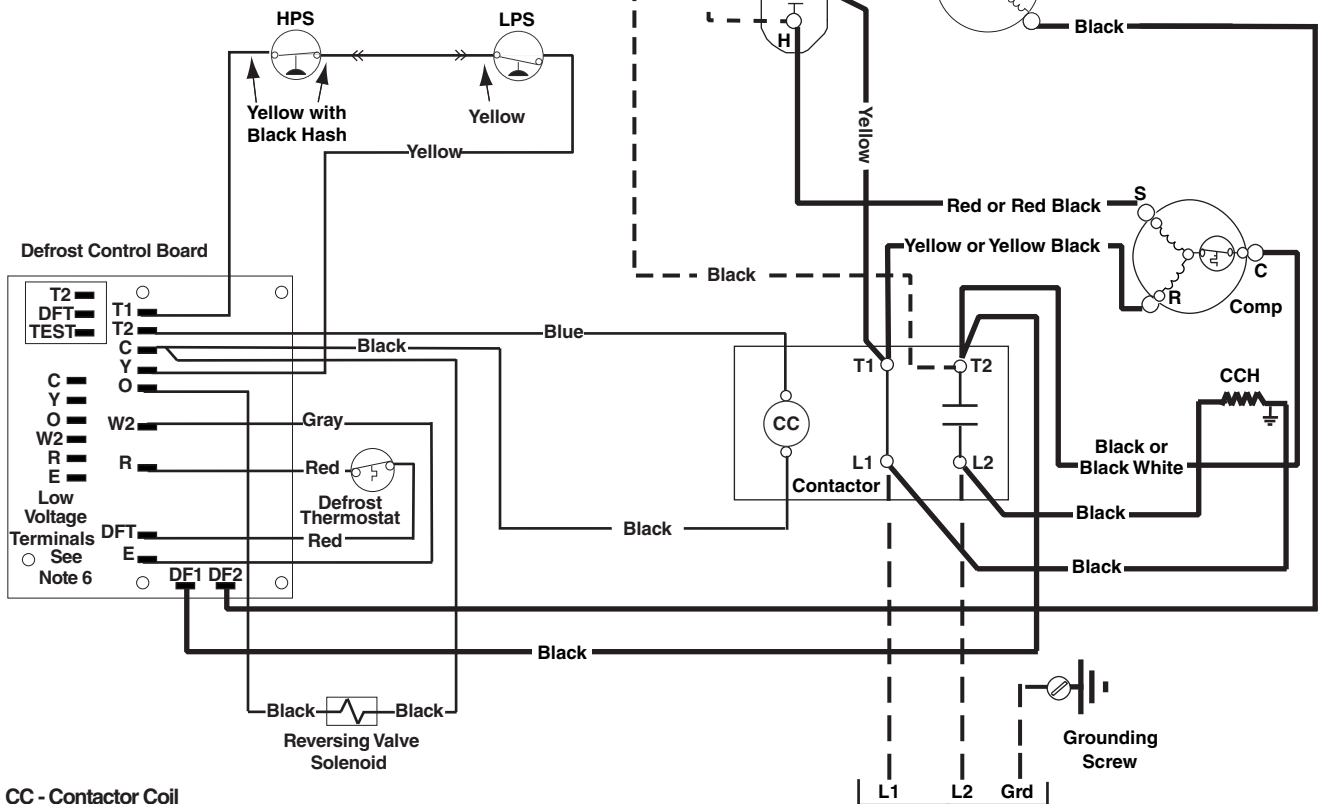
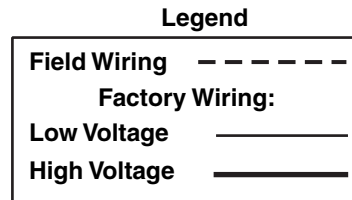
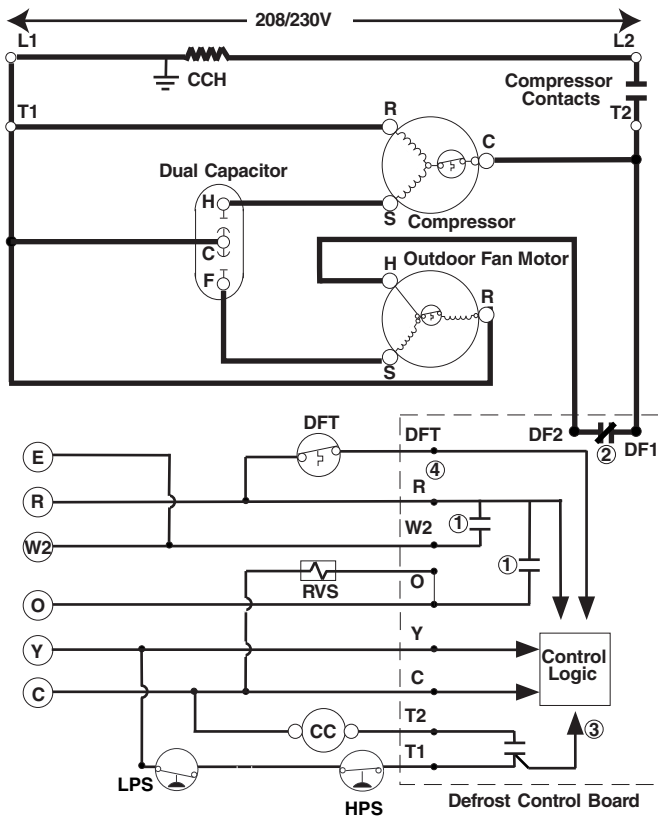
Split System Heat Pump (Outdoor Section)

Single Phase

NOTES:

1. Disconnect all power before servicing.
2. For supply connections use copper conductors only.
3. Not suitable on systems that exceed 150 volts to ground.
4. For replacement wires use conductors suitable for 105° C.
5. For ampacities and overcurrent protection, see unit rating plate.
6. Connect to 24 vac/40va/class 2 circuit. See furnace/air handler installation instructions for control circuit and optional relay/transformer kits.

1. Couper le courant avant de faire letretien.
2. Employez uniquement des conducteurs en cuivre.
3. Ne convient pas aux installations de plus de 150 volt a la terre.



Defrost Board Operation:

- ① Closing during defrost. Rating: 1 Amp. Max.
- ② Opens during defrost. Rating: 2 HP at 230 Vac Max.
- ③ Closed when "Y" is on. Open when "Y" is off. Provides "off" delay time of 5 min. when "Y" opens.
- ④ With DFT closed and "Y" closed, compressor run time is accumulated. Opening of DFT during defrost or interval period resets the interval to 0.

- CC - Contactor Coil
 CCH - Crankcase Heater
 DFT - Defrost Thermostat
 HPS - High Pressure Switch
 LPS - Low Pressure Switch
 RVS - Reversing Valve Solenoid
 * - Hard Start Kit Field Installed



7105060