

# WIRING DIAGRAM

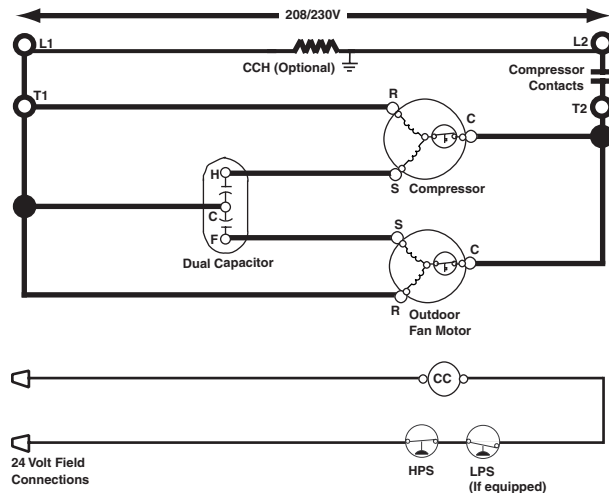
## Split System Air Conditioner (Outdoor Section)

## Single Phase

### NOTES:

1. Disconnect all power before servicing.
2. For supply connections use copper conductors only.
3. Not suitable on systems that exceed 150 volts to ground.
4. For replacement wires use conductors suitable for 105° C.
5. For ampacities and overcurrent protection, see unit rating plate.
6. Connect to 24 vac/40va/class 2 circuit. See furnace/air handler installation instructions for control circuit and optional relay/transformer kits.

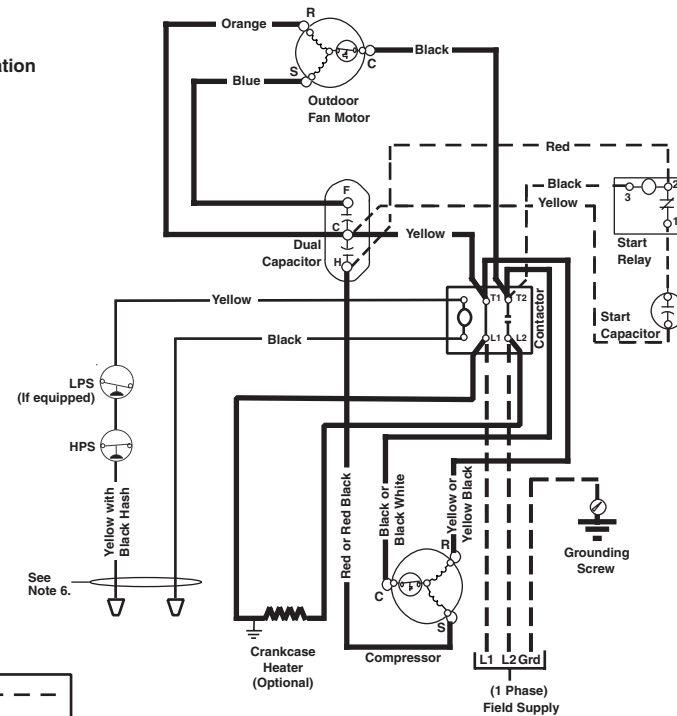
1. Couper le courant avant de faire leretien.
2. Employez uniquement des conducteurs en cuivre.
3. Ne convient pas aux installations de plus de 150 volt a la terre.



CC - Contactor Coil  
 CCH - Crankcase Heater  
 LPS - Low Pressure Switch  
 HPS - High Pressure Switch

### Legend

Field Wiring	---
Factory Wiring:	
Low Voltage	_____
High Voltage	—————



7105370