


INSTALLATION INSTRUCTION

INSTALLATION INSTRUCTIONS
FOR 547885 FILTER RACK USED WITH
R4GA/GC 024-060 R4GM 024-072
P4SA/SC Q4SA/SC 036-060 UNITS

789A-0399

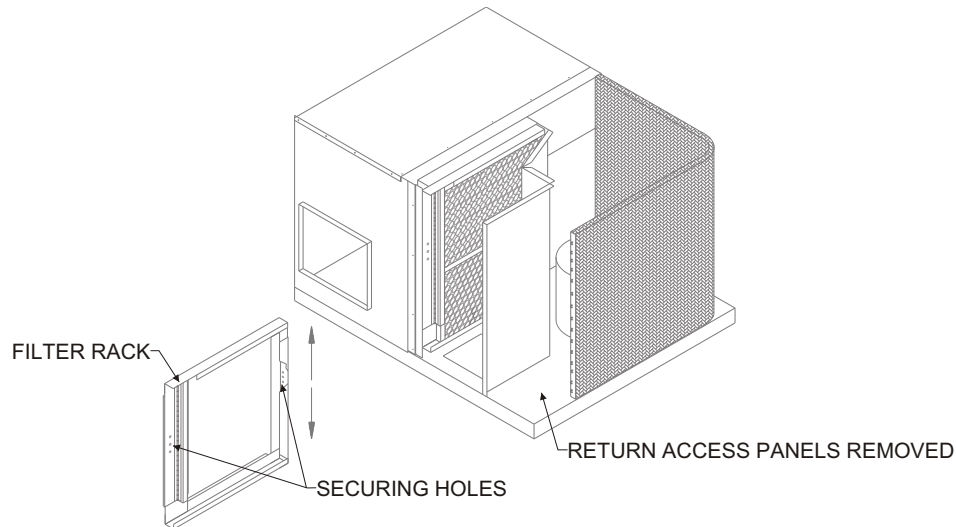
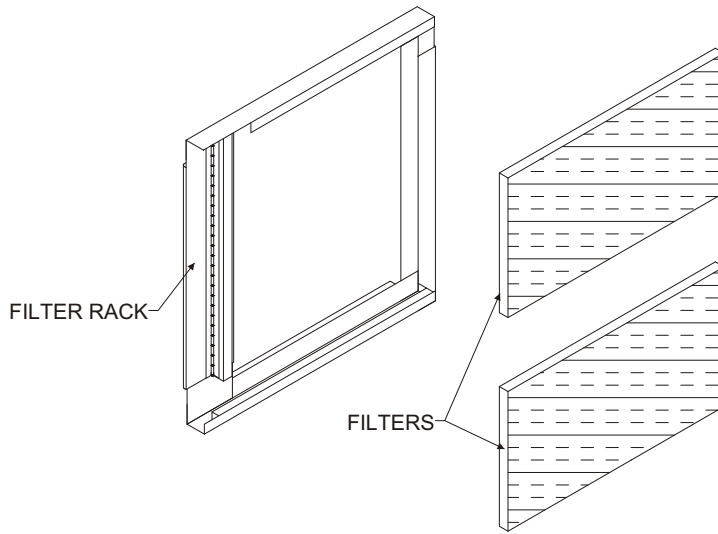
 Recognize this symbol as an indication of Important Safety Information!

STEP 1:

Check for correct number of parts. See list below.

- 1 - Filter Rack
- 6 - Filters (2 of each size)
- 4 - #10 x 16 x 1/2 Type A Screws

UNIT SIZE	FILTER SIZE
R4GA 024-042 R4GC 024 P4SA 036 P4SA 048 P4SC 036 Q4SA 036	(2) 14" x 25" x 1"
R4GA 048-060 R4GC 030-042 P4SA 060 P4SC 048-060 Q4SA 048-060 Q4SC 036	(2) 16" x 25" x 1"
R4GC 048-060 R4GM 024-072 Q4SC 048-060	(2) 18" x 25" x 1"



WARNING:

Disconnect electrical power to the unit. Failure to do so can cause electrical shock resulting in personal injury or death.

STEP 2:

Remove unit return access panel. Retain screws for later use.

STEP 3:

Insert filter rack in unit in front of coil, then expand the rack so it is resting on the bottom of unit and touching the top of unit. Using screws provided secure filter rack to proper height in front and back. Now install filters in rack see the chart above.

STEP 4:

Put in place and secure return access panel that was removed in Step 2.

SUPERCEDES 03-30-99

MARCH 21, 2003

NEIFR06B