

## G6RC Series High Efficiency / Direct Vent or Non Direct Vent

### Condensing Upflow/ Horizontal Gas Furnace

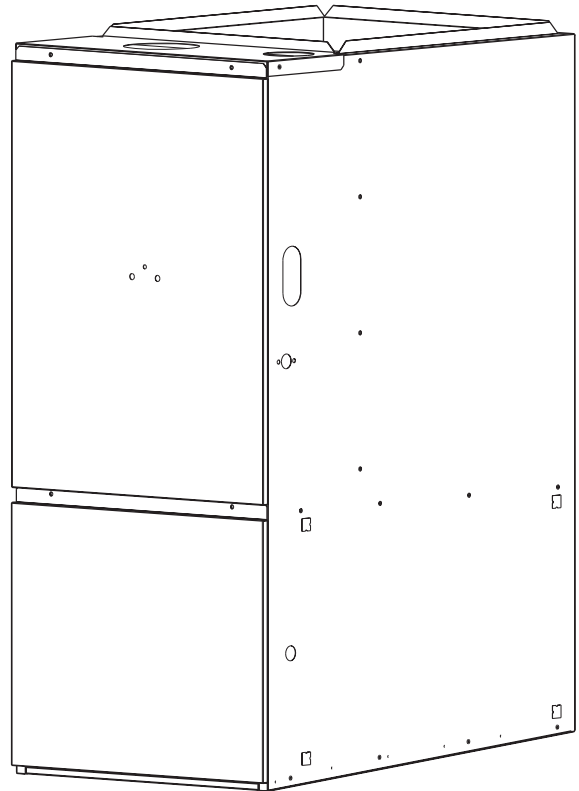
Induced Draft - 92+ AFUE

Input 40,000 - 120,000 Btuh

The high efficiency upflow gas furnace may be installed free standing in a utility room, basement, or enclosed in an alcove or closet. With kit, it converts easily to horizontal application. The extended flush jacket provides a pleasing "appliance appearance." Design certified by the American Gas Association (AGA) Laboratories and the Canadian Gas Association (CGA) Laboratories. The product is truly designed with the contractor and the consumer in mind.

#### Features and Benefits

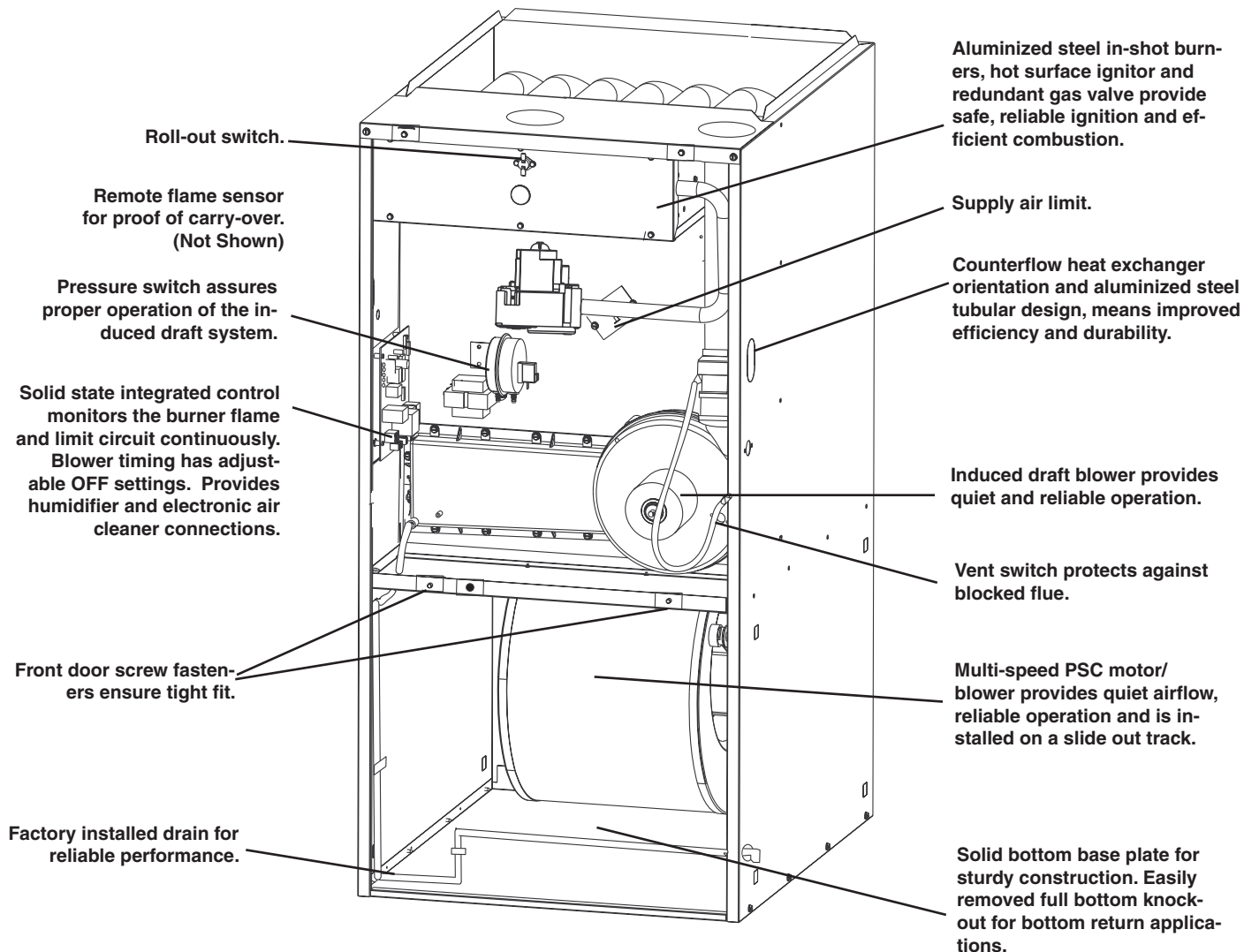
- **100% fired and tested** — All units and each component (both mechanical and electrical) are tested on the manufacturing line.
- **Best packaging in the industry** — Unique design assures product will arrive to the homeowner dent free.
- **Clean and quiet operation** — Due to the unique design of in-shot burners, location of inducer and use of insulation.
- **Fixed 30 second blower delay** — at burner start-up assures a warm duct temperature at furnace start-up. Adjustable blower off settings (60, 120, 160 and 180 seconds).
- **Fixed 30-second post purge** — increases life of heat exchanger.
- **Dependable, hot surface ignitor** — Innovative application of an appliance type ignitor with a 20-year history of reliability, assures no call-backs because of handling.
- **Color coded wire harness** — Designed to fit the components, all with quick-connect fittings for ease of service and replacement.
- **Tubular primary heat exchanger** — Heavy gauge aluminized steel heat exchanger assures a long life.
- **Stainless steel secondary heat exchanger** — assures a long life.
- **90-second fixed cooling cycle blower-off delay (TDR)** — increases cooling performance when matched with a NORDYNE coil.
- **Approved for direct vent furnace, category IV venting system** — May be vertically or horizontally vented using either a one-pipe or two-pipe system for maximum flexibility in installation.
- **High Altitude Capability** — Designed for high altitudes without the use of additional kits for natural gas.
- **Variable speed blower kit** — is available to maximize air conditioner and heat pump efficiencies. On selected units, SEER ratings up to 14 and HSPF ratings up to 8.5 are ARI listed.
- **Multi-speed direct drive blower** — Designed to give a wide range of cooling capacities. 40VA transformer included.
- **LP convertible** — Simple burner orifice and regulator spring change for ease of convertibility.
- **Factory installed drain system** — for reliable performance.
- **Diagnostic light flashes identify limit failure, pressure switch failure and improper ground and polarization** — for easy troubleshooting.
- **Incorporates integrated control board** — with connections for electronic air cleaner, humidifier and twinning.
- **Two piece door design** — enhances furnace appearance and uses screw fasteners for great fit and accessibility.
- **3 amp fuse** — protection against low voltage shorts; protects transformer and control board.
- **Low voltage terminal board** — for easy field wiring.
- **Components and Controls** — Designing quality into our products means selecting manufacturers that have a reputation for delivering high quality, dependable products.
- **Warranty** — The best in the industry.
  - 5 year limited parts
  - 2 year mileage
  - 2 year labor
  - Limited lifetime heat exchanger warranty to original owner





# FEATURES

## High Efficiency Upflow 92+ Gas Furnace



## STANDARD EQUIPMENT

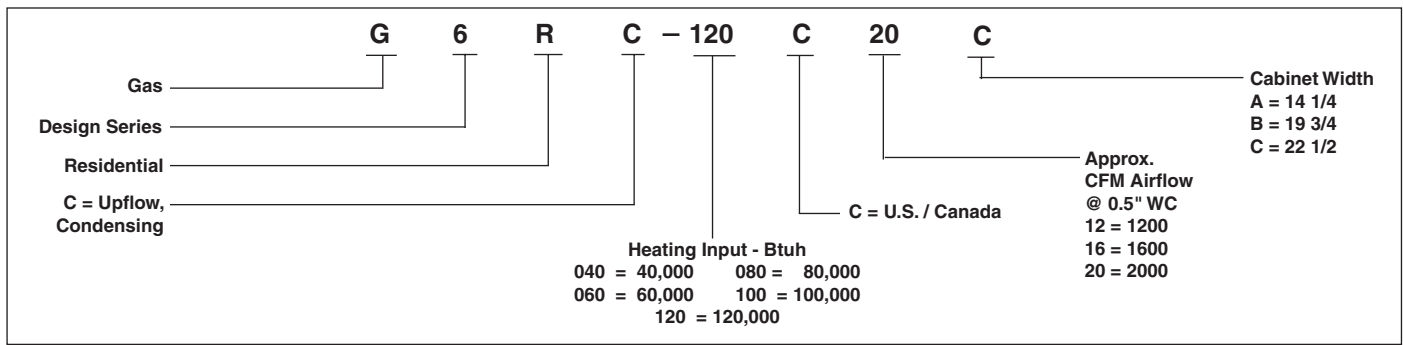
Direct vent; draft inducer; pressure switch; redundant main gas control; hot-surface ignition; timed ON/OFF blower controls (TDR); 40VA transformer for air conditioner application; limit controls; direct drive motor; all models can be converted to use L.P. (propane) gas. Factory approved kits *only* must be used and are available as an optional accessory from your NORDYNE distributor.

## SPECIFICATIONS

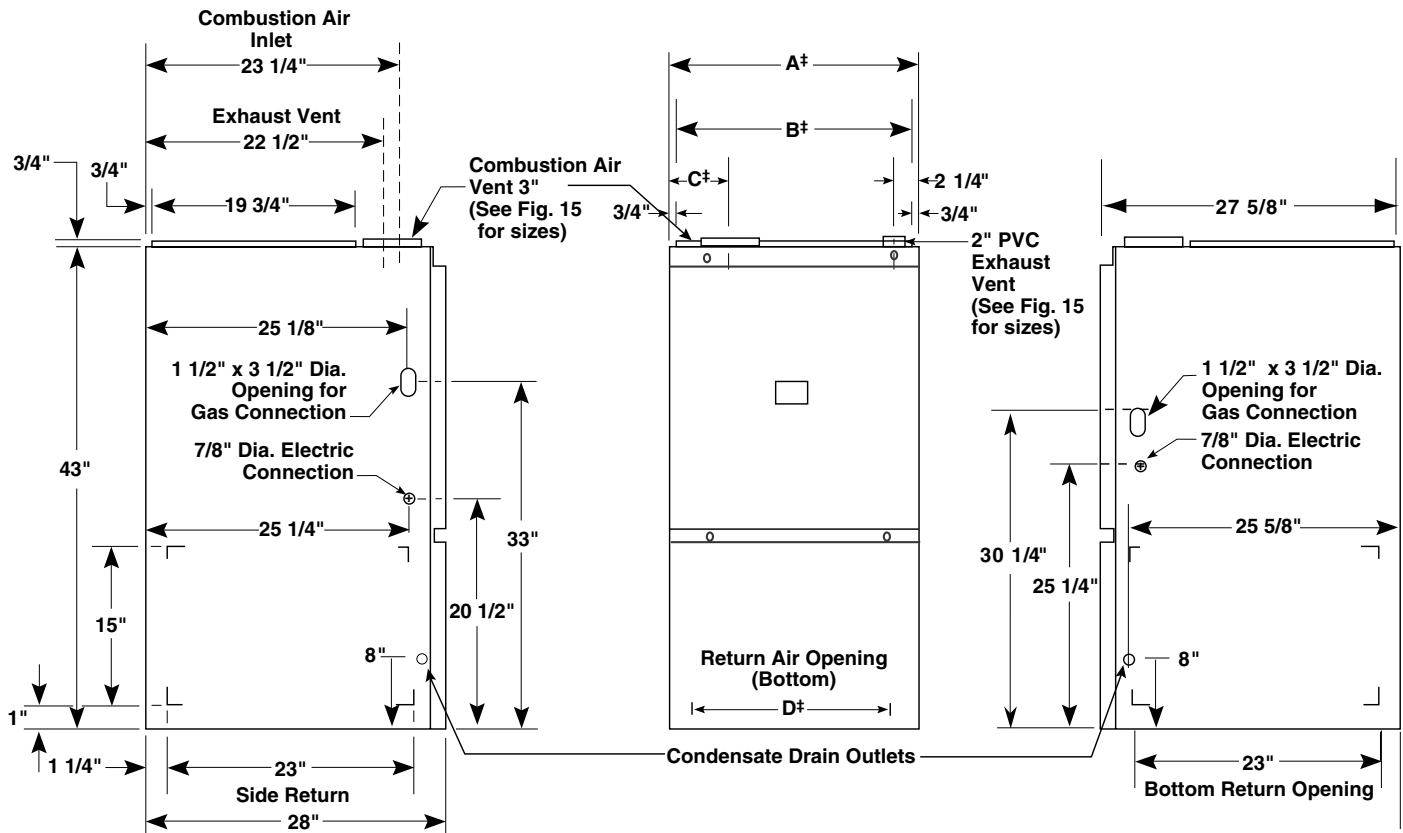
FG6RC MODEL NUMBERS:	-040C-08A	-040C-12A	-060C-12A	-080C-12B	-080C-16B	-100C-16B	-100C-20B	-120C-16C	-120C-20C
Input-Btuh (a)	40,000	40,000	60,000	80,000	80,000	100,000	100,000	120,000	120,000
Heating Capacity - Btuh	36,000	36,000	55,000	72,000	72,000	92,000	92,000	110,000	110,000
<b>AFUE</b>	<b>92.1</b>	<b>92.1</b>	<b>92.1</b>	<b>92.1</b>	<b>92.1</b>	<b>92.1</b>	<b>92.1</b>	<b>92.1</b>	<b>92.1</b>
Blower D x W	10 x 6	10 x 6	10 x 6	10 x 10	10 x 10	10 x 10	11 x 10	10 x 10	11 x 10
Motor H.P. -Speed -Type	1/5 - 3 - PSC	1/3 - 3 - PSC	1/3 - 3 - PSC	1/2 - 4 -PSC	1/2 - 4 -PSC	1/2 - 4 -PSC	3/4 - 4 -PSC	1/2 - 4 -PSC	3/4 - 4 -PSC
Motor FLA	3.0	6.0	6.0	7.9	7.9	7.9	11.1	7.9	11.1
Maximum Ext. SP - In. W.C.	0.5	0.5	0.5	0.5	0.5	0.5	0.5	0.5	0.5
Temperature Rise Range - °F	35 - 65	35 - 65	45 - 75	40 - 70	40 - 70	45 - 75	45 - 75	55 - 85	55 - 85

Note: All models are 115V, 60 Hz. Gas Connections are 1/2" N.P.T. AFUE = Annual Fuel Utilization Efficiency  
 (a) Ratings to 2,000 ft. Over 2,000 ft. reduce 4% for each 1,000 ft. above sea level.

# MODEL IDENTIFICATION CODE



# DIMENSIONS



MODEL NUMBER FG6RC	Dimensions				Shipping Weights (lbs)
	A (in.)	B (in.)	C (in.)	D (in.)	
40,000 A	14 1/4	12 3/4	5 1/8	11 3/4	133
60,000 A	14 1/4	12 3/4	5 1/8	11 3/4	140
80,000 B	19 3/4	18 1/4	7 7/8	17 1/4	172
100,000 B	19 3/4	18 1/4	7 7/8	17 1/4	180
120,000 C	22 1/2	21	9 1/4	20	204

# BLOWER PERFORMANCE

Model Number *RC-	Heating Input (Btu/h)	Motor Speed	Motor HP	External Static Pressure (Inches Water Column)															
				0.1		0.2		0.3		0.4		0.5		0.6		0.7		0.8	
				CFM	Rise	CFM	Rise	CFM	Rise	CFM	Rise	CFM	Rise	CFM	Rise	CFM	Rise	CFM	Rise
040C()-08A	40,000	High* Medium** Low	1/5	950	36	920	38	890	39	850	41	800	43	750	46	690	50	630	55
040C()-12A	40,000	High* Medium** Low	1/3	1190	-	1160	-	1110	-	1060	-	1010	-	910	38	820	42	720	48
060C()-12A	60,000	High* Medium** Low	1/3	1310	-	1260	-	1210	-	1160	45	1100	47	1040	50	980	53	920	56
080C()-12B	80,000	High* Med-High** Med-Low Low	1/2	1775	38	1724	39	1652	40	1583	42	1505	44	1430	46	1343	49	1226	54
080C()-16B	80,000	High* Med-High** Med-Low Low	1/2	1600	43	1560	44	1470	47	1400	49	1350	51	1280	54	1210	57	1150	60
100C()-16B	100,000	High* Med-High** Med-Low Low	1/2	1910	45	1860	47	1780	49	1700	51	1620	53	1520	57	1420	61	1310	66
100C()-20B	100,000	High* Med-High** Med-Low Low	3/4	2195	39	2140	40	2065	41	2000	42	1960	44	1860	46	1780	48	1695	50
120C()-16C	120,000	High* Med-High** Med-Low Low	1/2	1860	56	1800	58	1730	60	1650	63	1570	66	1480	70	1380	75	1270	82
120C()-20C	120,000	High* Med-High** Med-Low Low	3/4	2260	-	2200	-	2140	-	2070	-	1990	-	1910	-	1810	57	1710	61

( ) Can be C or N  
 \*\* Factory Set Cooling Speed  
 \* Factory Set Heating Speed  
 - Not Recommended

NOTES: 1. Airflow rates of 1800 CFM or more require two return air connections. Data is for operation with filter(s).  
 2. Temperature rises in the table are approximate. Actual temperature rises may vary.  
 3. Temperature rises and airflows for external static pressures greater than 0.5 are for reference only.  
 These conditions are not recommended.

## VENTING

All models are approved for vertical non direct (1 pipe) and direct (2 pipe) venting applications. See Vent Table below for specified sizes and allowable lengths.

## VENT TABLE

APPLICATION PVC, CPVC or ABS SCH. 40 Pipe Size	SINGLE PIPE LENGTH (ft.) with 1 long radius elbow*		DIRECT VENT, DUAL PIPE LENGTH (ft.) with 1 long radius elbow on each pipe*					
	Outlet	Outlet	Inlet/Outlet		Inlet/Outlet		Inlet/Outlet	
	2"	3"	2"	2"	3"	2"	3"	3"
<b>Models 040</b>	<b>80</b>	<b>150</b>	<b>40</b>	<b>40</b>	<b>50</b>	<b>50</b>	<b>90</b>	<b>90</b>
<b>Models 060 &amp; 080</b>	<b>60</b>	<b>150</b>	<b>30</b>	<b>30</b>	<b>35</b>	<b>35</b>	<b>90</b>	<b>90</b>
<b>Models 100 &amp; 120</b>	<b>30</b>	<b>150</b>	<b>15</b>	<b>15</b>	<b>25</b>	<b>25</b>	<b>90</b>	<b>90</b>

\* NOTE:

1. Subtract 2.5 ft. for each additional 2" elbow and 3.5 ft. for each additional 3" elbow.
2. Two 45 degree elbows are equivalent to one 90 degree elbow.
3. One short radius elbow is equivalent to two long radius elbows.
4. Do not include termination elbows in calculation of vent length.
5. This table is applicable for elevations from sea level to 2000 ft. For higher elevations decrease vent pipe lengths by 8% per 1000 ft. of altitude.
6. Only the listed pipe materials are approved for use with FG6 Condensing Furnaces.

## ACCESSORIES

Kit Description	2" PVC	3" PVC
Horizontal Exterior Vent Mounting Kit	902373	902375
Concentric Vent Kit	904177	904176
Neutralizer Kit (all models)	902377	
Side Wall Vent Kit	904347	

## VENT KITS

Kit	Order Number
U.S. LP Conversion Kit (0 to 10,000 ft.)	904090A
Canadian LP Gas Conversion Kit (0 to 4,500 ft.)	904091A
Fossil Fuel Kit	914762
Side Return Filter Kit	541036
Bottom Return Filter (20/Box)	A Cabinet 903088 B Cabinet 903089 C Cabinet 903090
Horizontal Drain Kit	903568
Internal Side Return Filter Wire	903152
Variable Speed Blower Kit for "A" cabinets	904231
Variable Speed Blower Kit for "B" & "C" cabinets	904075





As an Energy Star Partner, NORDYNE has determined that this product meets the Energy Star guidelines for energy efficiency.

**813B-0107 (Replaces 813B-1106)**

O'Fallon, MO

**NORDYNE**

Before purchasing this appliance, read important energy cost and efficiency information available from your retailer. Specifications and illustrations subject to change without notice and without incurring obligations.

Printed in U.S.A. (01/07)