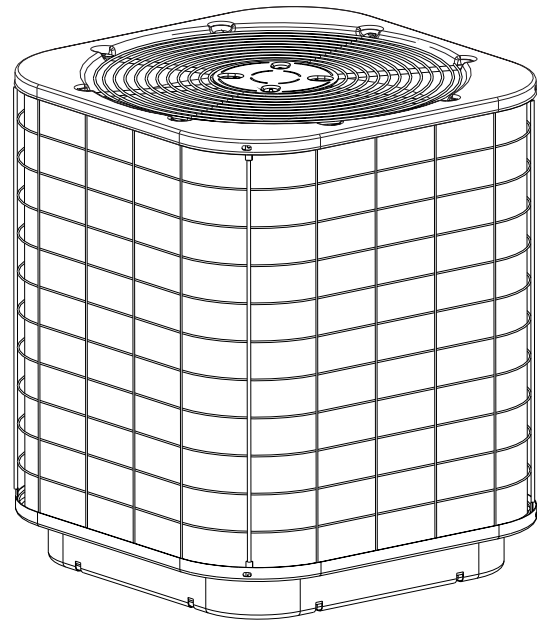

TECHNICAL SPECIFICATIONS

T3QA(-)KA Series High Efficiency Heat Pumps 10 SEER Manufactured Structure System 2 – 4 Ton Capacity

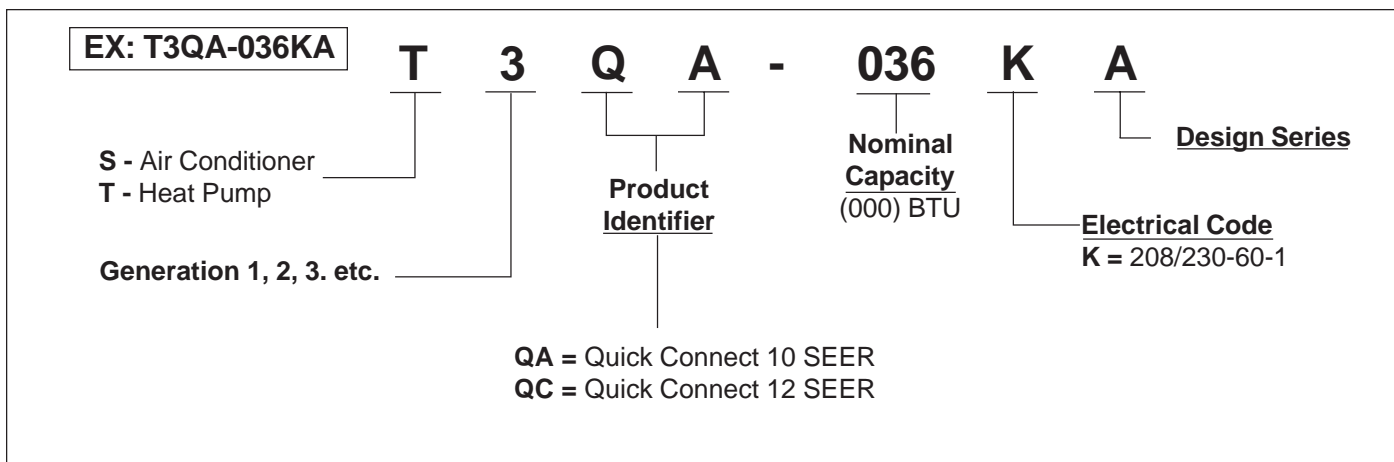
The T3QA Series of heat pumps offers exceptional performance from a small, compact design. The heat pump, when combined with our engineered matched indoor coils, offer a full line of quality, split-system heat pumps. Units are ideally sized for manufactured housing applications.



FEATURES and BENEFITS

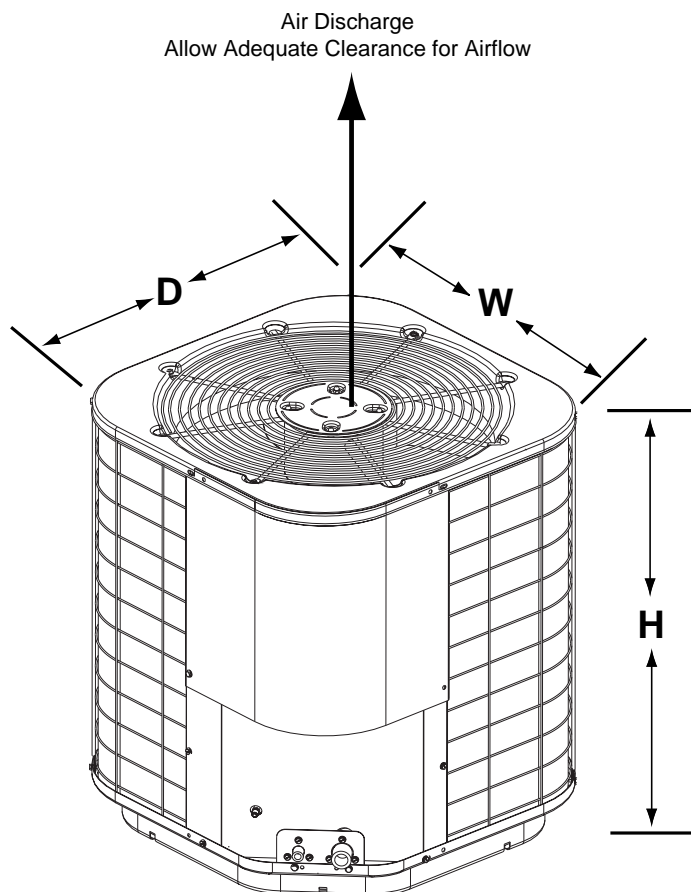
- **Durable, Attractive Cabinet** – Designed using galvanized steel with a polyester urethane powder coat finish. The 950 hour salt spray finish is 1.5 mil thick and resists corrosion 50% better than comparable units.
- **Copper Tube / Aluminum Fin Coils** – Both indoor and outdoor coils are designed to optimize heat transfer, minimize size and cost, and increase durability and reliability.
- **Permanently Lubricated Motor** – A heavy duty PSC motor for long lasting reliability and quiet operation. Requires no maintenance and is completely protected from rain and snow.
- **Plastic Coated Coil Guard and Mesh Hail Guard**– Guards that will never rust and protects the units coil from being damaged by balls, lawnmowers, etc.
- **Time / Temperature Defrost** – A reliable, industry standard control offers various time settings to meet any type climate.
- **Removable Top Grille Assembly** – Allows ease of service from the top without disconnecting fan motor leads.
- **One Piece Top/Orifice** – Designed for maximum airflow and quiet operation.
- **Common Suction Service Port** – This port allows the contractor to read the suction pressure in all modes of operation without removing any panels, saving time and increasing serviceability.
- **2-1/2" Pedestal Base** – The sturdy base keeps the bottom of the coil out of harms way. Secondly, the base has weep holes along the edge to allow the water from the defrosting coil and rain to flow away from the unit.
- **Five Minute Restart Time Delay** – When the unit shuts down, a five minute delay keeps the unit from restarting, eliminating the highest cause for compressor failure.
- **Suction Accumulator and Crankcase Heat**– Protection from liquid flood back and future compressor failures.
- **Hot Gas Muffler** – Reduces compressor noise and vibration.
- **Easy Compressor and Control Access** – Designed to make servicing easier for the contractor, access panels are provided to all controls and the compressor from the side of the unit.

MODEL IDENTIFICATION CODES



DIMENSIONS HEAT PUMP OUTDOOR SECTION

T3QA-	024KA	030KA	036KA	042KA	048KA
H	22-1/2	26-1/2	34-1/2	34-1/2	30-1/2
W	22-1/2	22-1/2	22-1/2	22-1/2	30-1/2
D	22-1/2	22-1/2	22-1/2	22-1/2	30-1/2



PHYSICAL AND ELECTRICAL SPECIFICATIONS / OUTDOOR UNITS

10 SEER — High Efficiency — Single Phase

Model No. T3QA-		024KA	030KA	036KA	042KA	048KA	
Electrical Data	Volts-Cycles-Phase (1)	208/230-60-1	208/230-60-1	208/230-60-1	208/230-60-1	208/230-60-1	
	Total Amps	10.5	14.8	15.9	19.2	23.3	
	Min. Circuit Ampacity	12.9	18.2	19.7	23.7	28.7	
	Delay Fuse Max. (2)	20	30	30	40	50	
Component Data	Coil	Area	8.2	9.9	13.2	13.2	17.7
		Rows-FPI	1-16	1-18	1-18	1-18	1-18
		Tube Dia.	3/8 O.D.	3/8 O.D.	3/8 O.D.	3/8 O.D.	3/8 O.D.
	Fan Motor	Type	PSC	PSC	PSC	PSC	PSC
		Amps	0.7	1.1	1.1	1.4	1.5
		Watts-HP	145-1/10	210-1/8	210-1/8	245-1/4	300-1/4
	Fan Blade	Dia.-#Blades	18 in.-3	18 in.-3	18 in.-3	18 in.-3	24 in.-3
		SCFM	2100	2500	2500	2800	4000
	Compressor Data*	RLA	9.8	13.7	14.8	17.9	21.8
		LRA	56	75	96	103	131
Refrigerant Suction Line-Length/O.D. (Liq. Line All Lengths - 3/8"O.D.)	15-24 ft.	3/4"	3/4"	3/4"	7/8"	7/8"	
	25-39 ft.	3/4"	3/4"	3/4"	7/8"	7/8"	
	40-75 ft.	3/4"	3/4"	7/8"	7/8"	7/8"	
Refrigerant Charge (Outdoor unit, Indoor Unit, 15' Line Set)	R-22 Ounces	70	79	95	103	119	
Weight Approximate (lbs.)		120	130	145	148	174	
	Ship	132	142	157	160	186	

- * Values shown are most severe and may vary slightly depending on the make of the compressor supplied.
 (1) Operating Voltage Range: 198v min. — 253v max.
 (2) HACR Type Circuit Breakers may be used.

COPPER WIRE SIZE — AWG (1% Voltage Drop)				
Supply Wire Length-Feet				Supply Circuit Ampacity
200	150	100	50	
6	8	10	14	15
4	6	8	12	20
4	6	8	10	25
4	4	6	10	30
3	4	6	8	35
3	4	6	8	40
2	3	4	6	45
2	3	4	6	50

Wire Size based on N.E.C. for 60° type copper conductors.

SYSTEM HEATING & COOLING CAPACITIES

10 SEER — High Efficiency — Single Phase

Outdoor Unit Model Number	Indoor Unit Model Number	With This Coil					Required Indoor Orifice Size
		Cooling Btuh	SEER	Heating Btuh @ 47	HSPF	Nominal CFM	
T3QA-024KA	C3QA-024/U-B	23,400	10.0	22,400	7.0	900	.060
T3QA-030KA	C3QA-030/U-B	29,600	10.0	29,200	7.0	1125	.067 (1)
T3QA-036KA	C3QA-036/U-B	34,600	10.0	34,000	7.2	1350	.071 (1)
T3QA-042KA	C3QA-042/U-B	40,000	10.0	39,000	7.2	1450	.077 (1)
T3QA-048KA	C3QA-047/U-B	46,000	10.0	46,500	7.2	1500	.082 (1)
T3QA-048KA	C3QA-048/U-B	47,000	10.0	47,000	7.2	1600	.082

(1) Field supplied

ACCESSORIES - Condensing Unit

Start Assist Kit - 912933

Provides additional starting torque for the compressor motor when operating with low line voltage or high operating temperatures.

Thermostat

Two thermostats are available. Both are offered for two-stage heat and one-stage cool application.

912931 - Has choice of automatic/manual changeover.

912932 - Is manual changeover only.

Snow Stand

Plastic-coated, molded wire stand which elevates units 7-1/4" above ground level.

913144 - (024 through 042) Shipped six (6) per box.

913145 - 048 Shipped six (6) per box.

