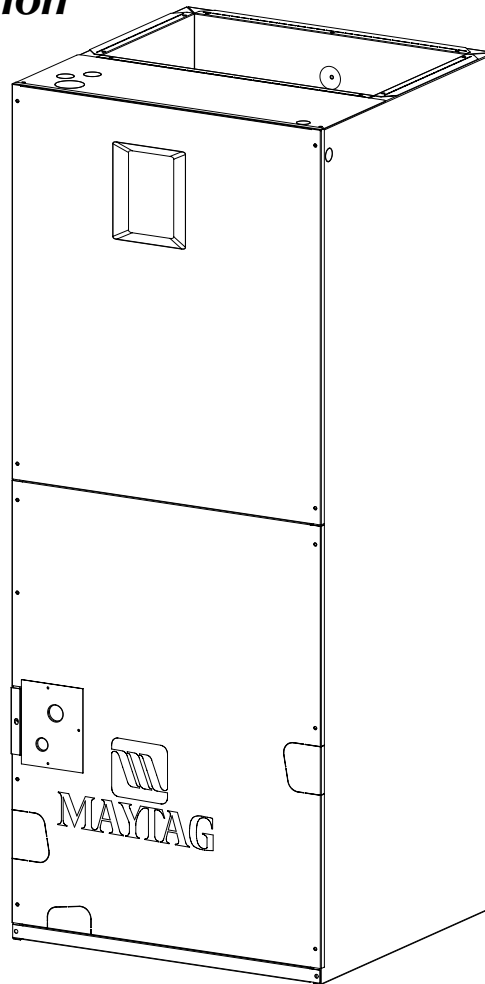


**MAYTAG**

**iQ Drive**

## TECHNICAL SPECIFICATIONS

### *23 SEER Residential System Indoor Section*



M1200 Product Line

**PAH2VM Series Variable Speed Air Handler  
C6 Series Residential Indoor Coils with EXV**



- **M1200 – 12 YEAR ALL PARTS LIMITED WARRANTY**
- **M1200 WITH UPGRADED WARRANTY PACKAGE – 12 YEAR ALL PARTS & LABOR LIMITED WARRANTY**
- **Product registration required for 12 year All Parts Warranty within a limited period of time after the installation. See current warranty document for details. This can be viewed at [www.maytagvac.com](http://www.maytagvac.com) or ask your sales representative.**

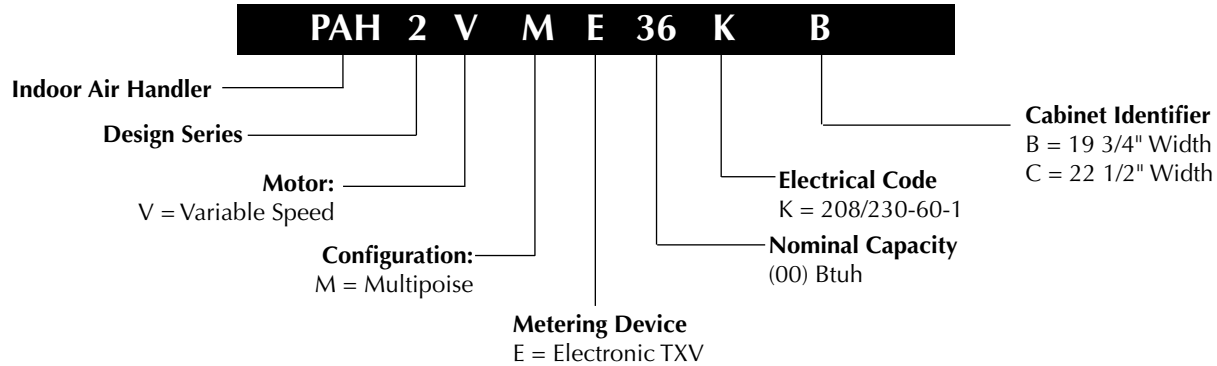


## Features and Benefits

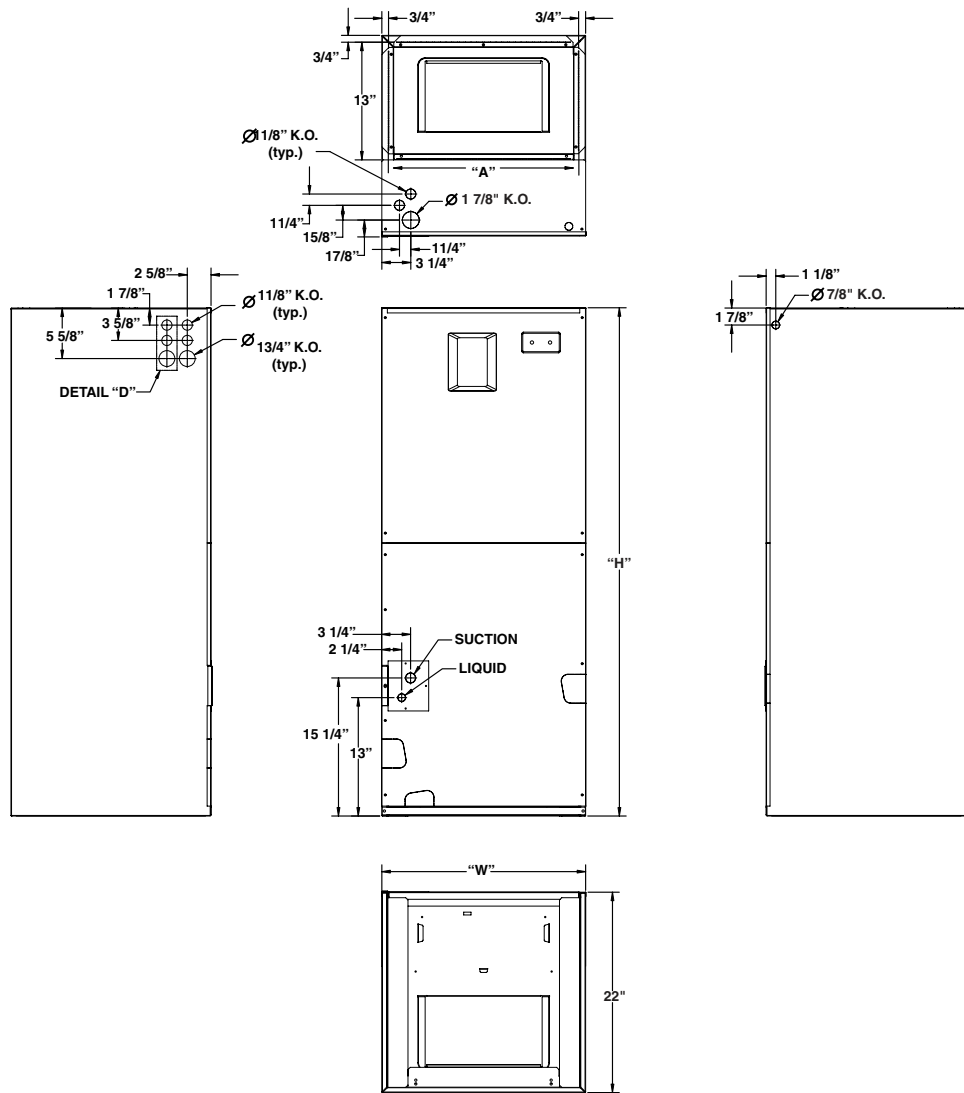
- **Durable, Attractive Cabinet** — Designed using galvanized steel. The door is also galvanized steel, with a polyester urethane finish. The 950 hour salt spray finish resists corrosion 50% better than comparable units. The plastic drain pan is corrosion-resistant.
- **Multi-poised** — Can be used in horizontal, upflow, downflow and vertical applications.
- **Increased Efficiencies** — Air conditioning efficiencies up to 23 SEER.
- **Variable Speed Motor** — Advanced technology allows for automatic selection of cooling airflows and heating airflows to match any application.
- **Quiet Blower Operation** — Extra quiet and smooth blower on and off cycles.
- **Reduced air stratification** — This results in improved air quality by optimizing humidity removal and filtration capabilities.
- **Ease-of-Service** — Plug-in wire connections and built-in filter rack makes the air handler easy to service.
- **Plug-in Heater Kits** — Available in 5 kw - 30 kw.
- **Air Handler Control Board** — Controls time-sequencing of heat stages with field-selectable sequence timing.
- **Breaker Accessibility** — Breaker accessible from front of unit when heater is applied.
- **No Fasteners on Sides or Back** — Smooth surfaces for ease of installation.
- **Cabinet Insulation** — 1" insulation with an R-value of 4.2 contributes to quiet operation and prevents cabinet sweating in difficult applications.

# B5 AIR HANDLER

## IDENTIFICATION CODE



## DIMENSIONS



# ELECTRICAL DATA

Model Number H6HK- Voltage KW			Variable Speed Air Handler										
			Min. Circuit Ampacity				Max. Over-Current Protection						
			Circuit A	Circuit B	Circuit C	Single Circuit	Circuit A	Circuit B	Circuit C	Single Circuit			
005H-XX	240	4.8	-	-	-	32.3	-	-	-	-	40		
008H-XX	240	7.5	-	-	-	46.3	-	-	-	-	50		
010H-XX	240	9.6	-	-	-	57.3	-	-	-	-	60		
015H-XX	240	14.4	57.3	25.0	-	82.3	60	30	-	-	90		
020H-XX	240	19.2	57.3	50.0	-	107.3	60	60	-	-	125		
025H-XX	240	24.0	57.3	50.0	25.0	132.3	60	60	30	-	150		
030H-XX	240	28.8	57.3	50.0	50.0	157.3	60	60	60	-	175		
005H-XX	208	3.6	-	-	-	28.9	-	-	-	-	30		
008H-XX	208	5.6	-	-	-	40.9	-	-	-	-	50		
010H-XX	208	7.2	-	-	-	50.5	-	-	-	-	60		
015H-XX	208	10.8	50.5	21.6	-	72.2	60	25	-	-	80		
020H-XX	208	14.4	50.5	43.3	-	93.8	60	50	-	-	100		
025H-XX	208	18.0	50.5	43.3	21.6	115.4	60	50	25	-	125		
030H-XX	208	21.6	50.5	43.3	43.3	137.1	60	50	50	-	150		

# SPECIFICATIONS

Model Number PAH2VM-	*E36K-B	*E48K-C
Nominal cooling capacity - BTUh <sup>1</sup>	36000	48000
Metering Device	EXV	EXV
Maximum Available Auxiliary Heat	20	30
Nominal Blower Size (Dia. x Width)	11 x 8	11 x 10
Motor Hp-speeds-type	1/2-VS	3/4-VS
Filter Size (supplied internal filter rack) <sup>2</sup>	18x20x1	20x20x1
Approximate Shipping Weight, lbs	114	154
Height, "H", in.	49-5/16	55-15/16
Width, "W", in.	19-11/16	22-7/16
Supply Air Outlet Dimension, in.	12-7/8 x 18-1/4	12-7/8 x 21
Ref. Connection Sizes, in. (suc./liq.)	7/8 - 3/8	7/8 - 3/8
Range SCFM	500-1110	680-1455

<sup>1</sup> See current ARI Directory for certified combinations and ratings.

<sup>2</sup> Filter is not supplied with unit.

# ACCESSORIES

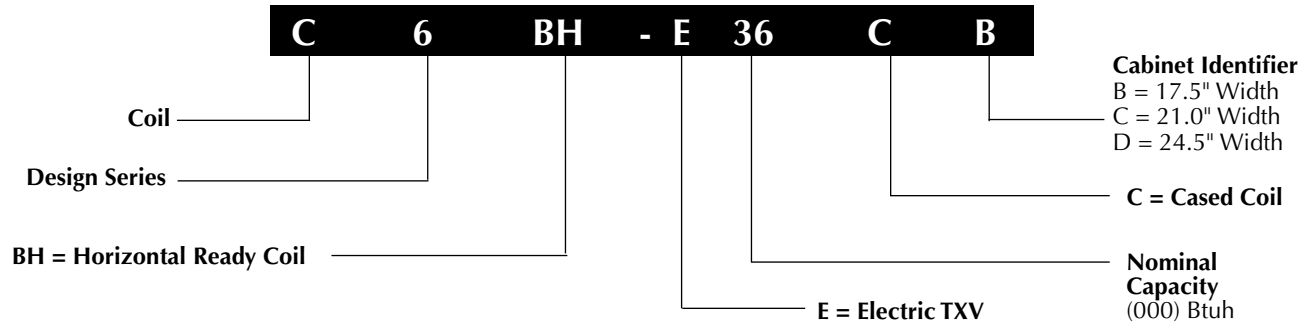
Accessory Kit Description	Cabinet Size		Order Number
	B	C	
Down-flow adaptor kit	X		919321
		X	919322
Single circuit adaptor for 2 circuit breakers	X	X	913874
Single circuit adaptor for 3 circuit breakers	n/a	X	913556
Horizontal conversion kit for vertical-only units	X		919405
		X	914730

## 240V Single-Phase Heater Kit Application

Nominal KW	Matched Units		Order Number	
	36K-B	48K-C	With Circuit Breakers	Without Circuit Breakers
5	X	X	904407	904406
8	X	X	904409	904408
10	X	X	904412	904411
15	X	X	904414	n/a
20	X	X	904416	n/a
25	n/a	X	904417	n/a
30	n/a	X	904418	n/a

# C6 COIL

## IDENTIFICATION CODE



## COIL DATA TABLES

Model C6BH	E36-B	E36-C	E48-C	E48-D
Face Area (ft ^2)	5.58	5.58	6.42	6.42
Rows	3	3	3	3
Fins per inch	14	14	14	14
Refrigerant Flow Control	EXV	EXV	EXV	EXV
Nominal Airflow (cfm)	1,200	1,200	1,500	1,600
Pressure drop at nominal airflow (in w.c.)	0.21	0.21	0.30	0.30
Connections:				
Liquid Line	3/8	3/8	3/8	3/8
Suction Line	3/4	7/8	7/8	7/8

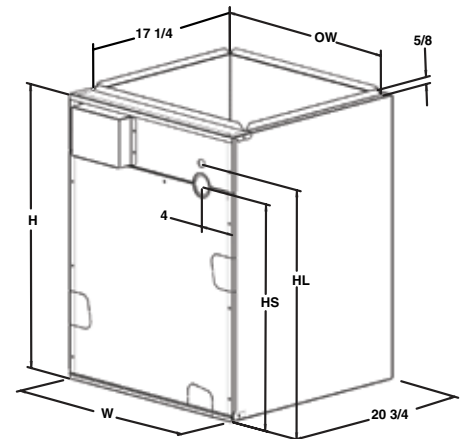


Figure 1. Cased Coil

### Cased Coil Dimensions

Cabinet Identifier		Overall		Top Opening	Bottom Opening	Horizontal Drain Pan Extension
		W	H	A	B	C
B	E36	17 1/2	26	16 1/8	8 3/8	2 3/4
C	E36	21	30	19 5/8	11 7/8	3 1/4
C	E48	21	26	19 5/8	11 7/8	2 3/4
D	E48	24 1/2	30	23 1/8	15 3/8	3 1/4

**NOTE:**  
 Requires use of a 2-stage variable speed \*G7 furnace.

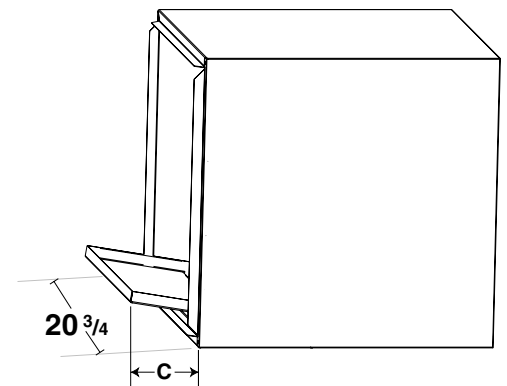


Figure 2. Horizontal Left Configuration with Drain Pan Extension



**MAYTAG**

Before purchasing this appliance, read important energy cost and efficiency information available from your retailer. Specifications and illustrations subject to change without notice and without incurring obligations.

Manufactured under license by NORDYNE, O'Fallon, MO. ©Registered Trademark/™ Trademark of Maytag Corporation or its related companies. ©2008. All rights reserved.  
933C-0808

Printed in U.S.A. (08/08)