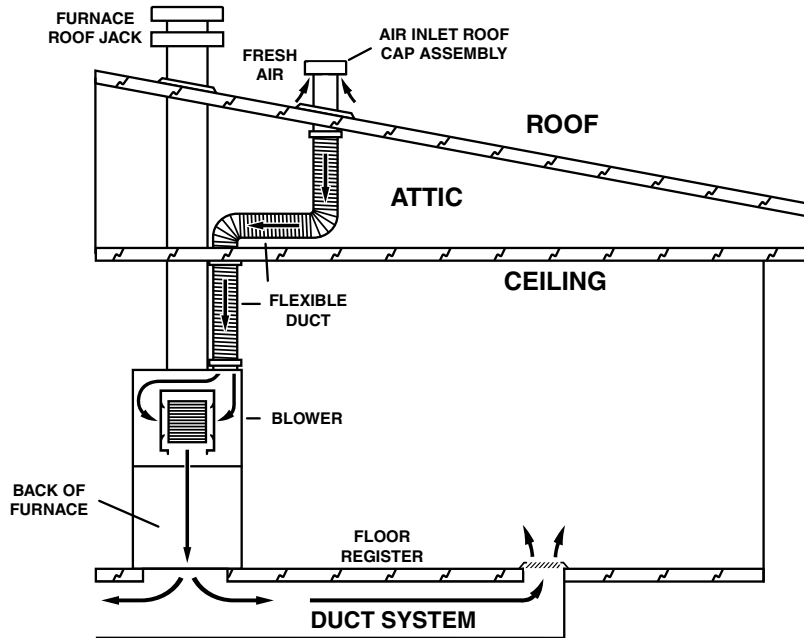
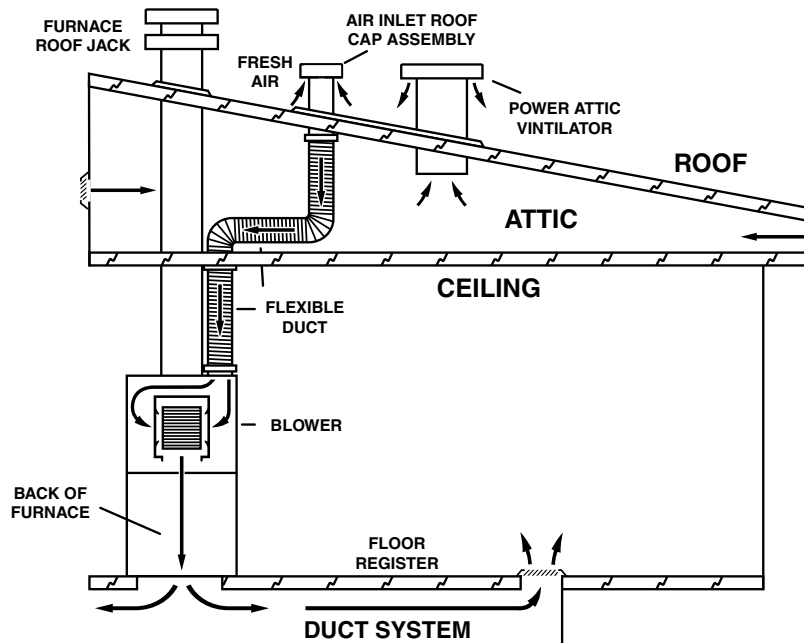


# Technical Specifications

## Application Guidelines



**VENTILAIRE III FRESH AIR INTAKE SYSTEM**



**VENTILAIRE IV ATTIC VENTILATOR AND FRESH AIR INTAKE**

## SYSTEM PERFORMANCE

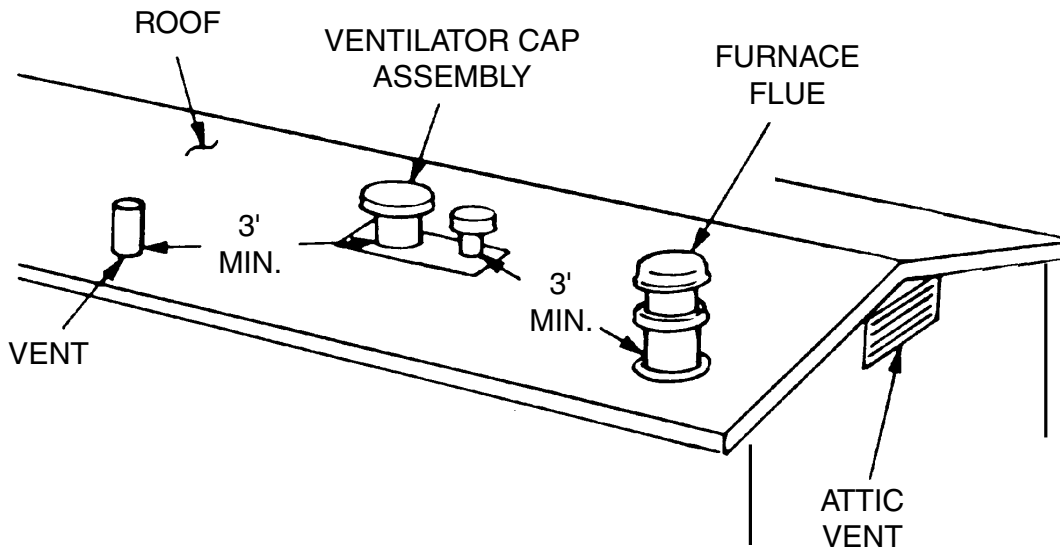
### VentilAire III and IV Application Chart

Furnace Model	Fresh Air Supply CFM - Blower Speed			
	Low	Med-Low	Med-High	High
M1*B		50	65	85
M1*C	60	70	80	<b>90</b>
M4RC	75	<b>90</b>		
M4RL	80	<b>90</b>		
M7RL/M7TL	65	80	<b>90</b>	
E3EB	50	70	80	<b>90</b>
B6BV-000K-B	50	65	<b>90</b>	
B6BV-000K-C	70	<b>90</b>		

**Note:** Manufactured Homes installed ventilation system capacity should be in compliance with HUD 3280.103(6)(1-6).

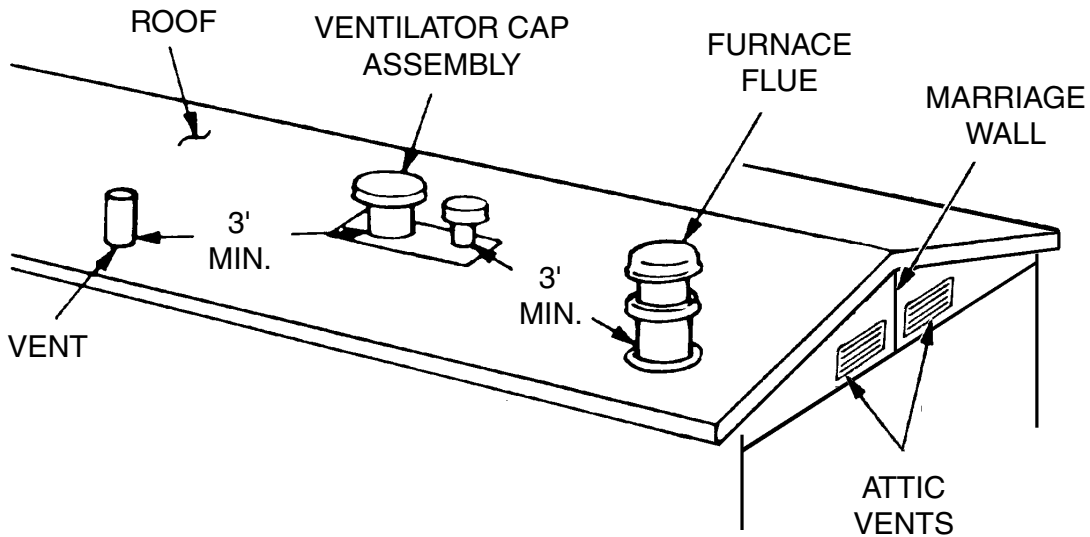
VENTILAIRE IV SPECIFICATIONS		VENTILAIRE IV CONTROLS			
Air Flow	150 cfm	Controls		Automatic Humidity/ Temperature Operation	
Motor	115 Volts, 60 Hz, Single Phase	<b>WINTER</b>		<b>SUMMER</b>	
Full Load Amps	0.85	ON	35°F to 70°F or RH above 40%	ON	110°F
Wire Size	14 AWG	OFF	Below 20°F or RH below 40%	OFF	95°F

### SINGLE-SECTION INSTALLATION



On single-section manufactured homes, the attic must be vented to the outside of each end of the home. This venting must be a minimum of 36 square inches free area at each end of the home, either at the roof or under the eaves.

### DOUBLE-SECTION INSTALLATION



On double-section manufactured homes, one vent (minimum) on **each** side of **each** end must be used. These should be at least 15 square inches in free area with at least 144 square inches of free area in the marriage wall for proper venting of entire space.

---

**NORDYNE**

COMPLETE COMFORT. GENUINE VALUE. 8000 Phoenix Parkway | O'Fallon, MO 63368-3827

Specifications and illustrations subject to change without notice and without incurring obligations. Printed in U.S.A (08/2012)

9936-0812 (Replaces 9936-0711)