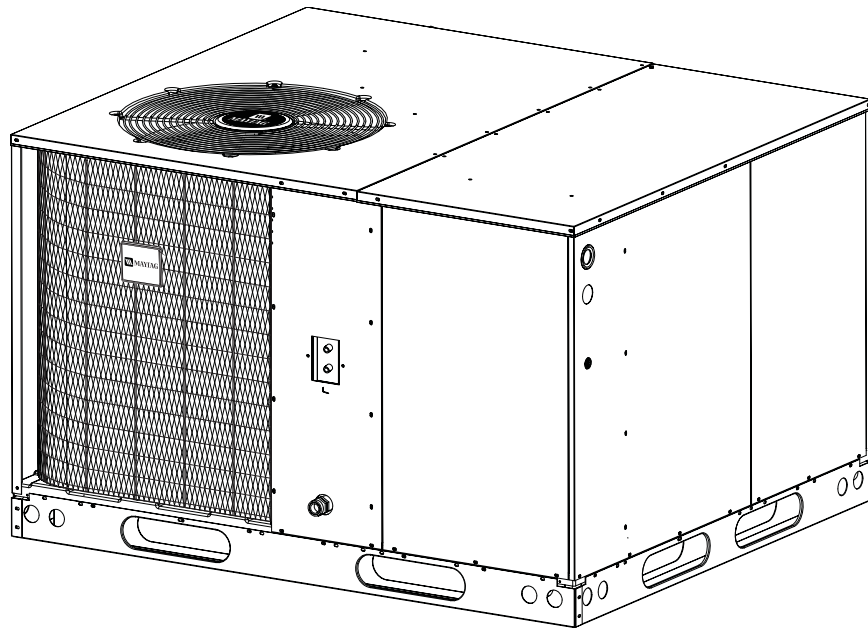




TECHNICAL SPECIFICATIONS

Model PPA1SD Series



M1010 Product Line

**Single Packaged Air Conditioner
13 SEER - 3, 4 and 5 Ton Units**

- **10 YEAR WARRANTY**
- **WORRY-FREE PERFORMANCE**
- **5 YEAR DEPENDABILITY PROMISE**

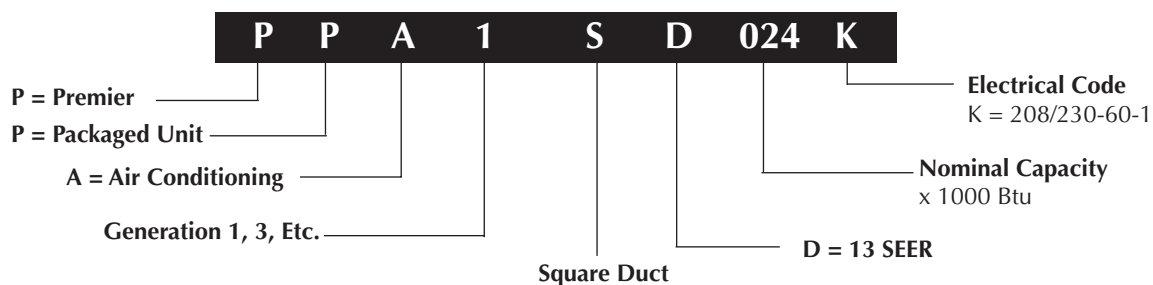


The PPA1SD Series single packaged air conditioners are high efficiency self contained cooling units that can be installed on a roof or on a slab. The convertible unit design makes installations simple in all applications. Units are ETL and ETLc listed.

Features and Benefits

- **Compact Footprint/Low Profile**
Easy to handle and transport.
- **Five Minute Restart Time Delay** – When the unit shuts down, a five minute delay keeps the unit from restarting, eliminating the highest cause for compressor failure.
- **Heavy-Gauge, Full Perimeter Base Rails**
Facilitates forklift handling and curb mounting.
- **Convertible Air Delivery**
Horizontal or downflow to accommodate rooftop or horizontal application.
- **Galvanized Steel Cabinet**
Unit is trimmed in a silicone-protected polyester finish with a 950 hour salt spray finish that resists corrosion 50% better than comparable units.
- **Plastic Coated Coil Guard and Mesh Hail Guard**
Will never rust and protects the coil from being damaged by balls, lawnmowers, hail etc.
- **Externally Accessible Service Ports**
Quick access to refrigerant system without disrupting operation.
- **Low Pressure Control** – Loss of charge protection ensures long compressor life.
- **Access to Controls and Major Components**
Easy in and out service.
- **Corrosion-Resistant Drain Pan**
Quickly drains away evaporator condensate.
- **Service Access Panels**
Allows easy access to all major components and the compressor. Designed to make servicing easier for the Contractor.
- **Easy to Install**
Electric heat strip provides up to 20 KW of heat output.
- **Proven, Industry Standard Components**
Easier service and availability.
- **Quiet Operation and Low Vibration**
20" fan blade combined with custom venturi condenser fan.
Compressor sound blanket standard
- **Accessories**
Roof curbs and more.
- **10 Year Residential Parts and Labor Warranty and 5 Year Dependability Promise**
The best warranty in the business.

IDENTIFICATION CODE



SPECIFICATIONS

Model Number	PPA1SD		
	036K	048K	060K
Performance			
Capacity -Cooling BTUH	35,000	47,000	56,500
Efficiency - SEER	13.00	13.00	13.00
EER (Btuh/watt)	11.0	11.0	11.0
Electrical Rating - 60 Hz			
Phase	1	1	1
Operating Voltage Range	187 - 253	187 - 253	187 - 253
Compressor Data			
Volts	208 / 230	208 / 230	208 / 230
Rated Load Amps	16	24.3	28.2
Lock Rotor Amps	77	131	141
Indoor Blower			
Type / No. of Speeds	DD / 3	NA / 5	NA / 5
Motor - HP / RPM	1/4 - 1100	1/2 - 1685	3/4 - 2010
Motor - Amps	1.3	4.1	6.0
Outdoor Fan			
Motor - HP / RPM	1/8 - 1100	1/4 - 1100	1/4 - 1100
Motor - Amps	1.2	1.2	1.2
Fan Diameter / CFM	20/3600	20/3600	20/3600
Refrigerant Charge - Oz.	91.5	171.2	187.2
Shipping Weight	415	425	490

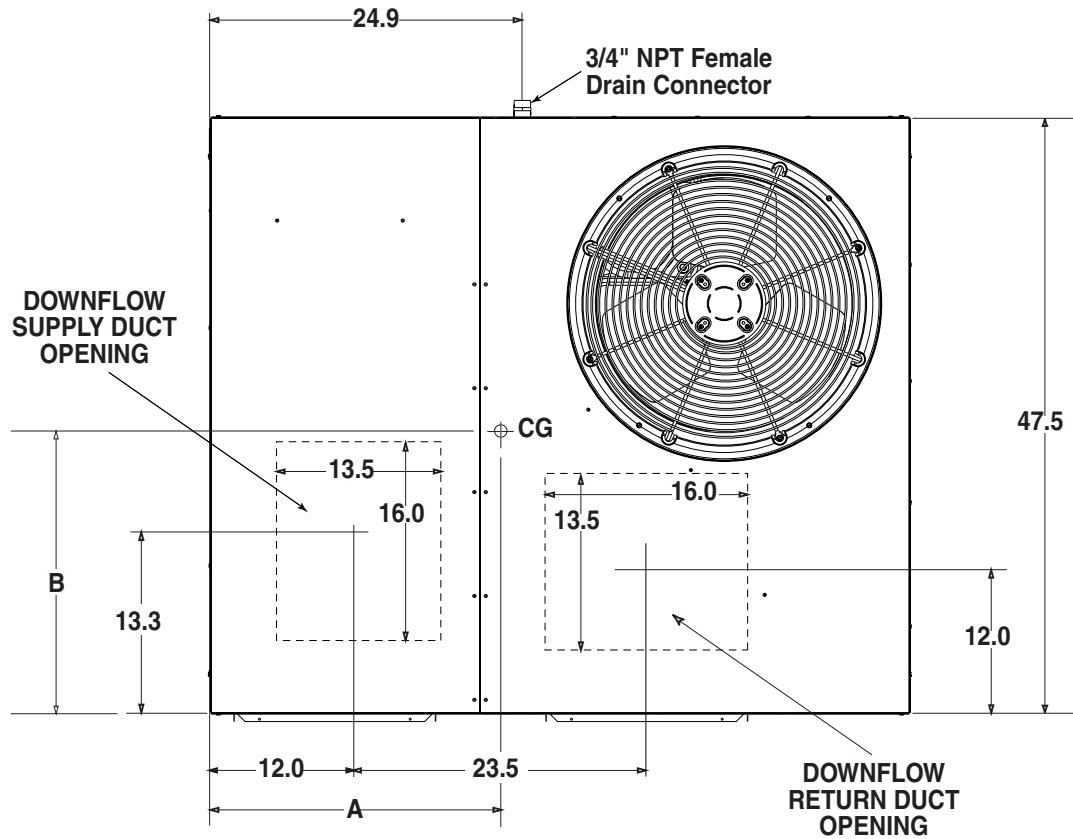
BLOWER PERFORMANCE

Model Number	External Static Pressure Drop - inches water column								
	0.1	0.2	0.3	0.4	0.5	0.6	0.7	0.8	
036	High	1600	1510	1410	1310	1200	1070	930	760
	Medium*	1410	1330	1250	1150	1050	940	820	670
	Low	1130	1070	1000	930	850	760	650	530
048	Tap T1	1190	1100	1000	970	910	855	790	760
	Tap T2	1230	1180	1120	1080	1030	980	930	875
	Tap T3	1310	1259	1200	1152	1097	1044	991	931
	* Tap T4	1463	1416	1400	1321	1270	1220	1175	1120
	** Tap T5	1680	1640	1600	1550	1520	1470	1430	1380
060	Tap T1	1515	1450	1380	1350	580	1250	1200	1160
	Tap T2	1580	1520	1460	1400	1300	1300	1260	1230
	Tap T3	1740	1690	1650	1600	1360	1500	1460	1390
	* Tap T4	1960	1910	1840	1820	1540	1740	1700	1600
	** Tap T5	2090	2050	2010	1975	1780	1900	1850	1790

* Denotes factory set cooling speed

** Denotes factory set electric heating speed

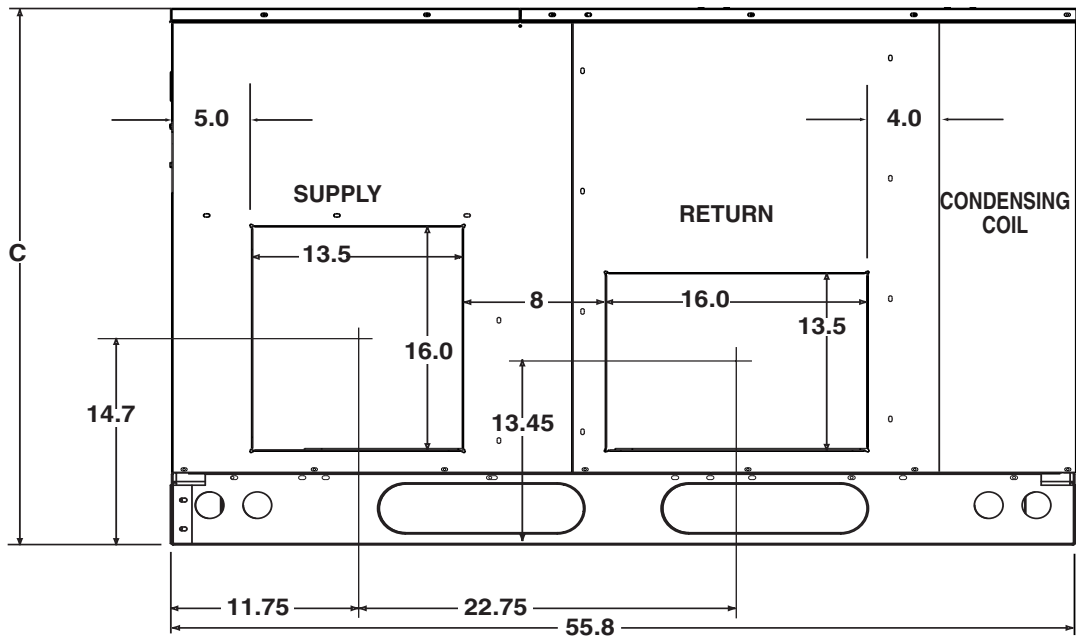
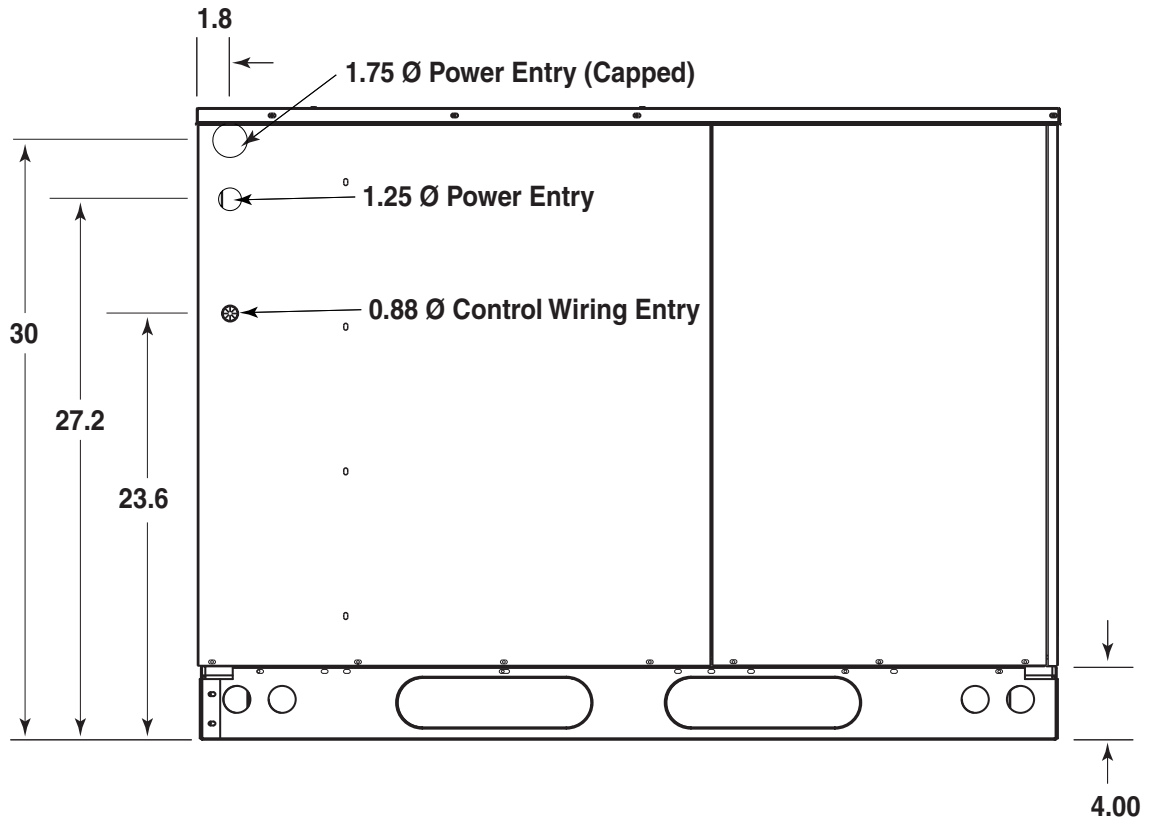
DIMENSIONS



Top View

Model Number PPA1SD	Unit Weight	Center of Gravity		Height (in inches) C	
		A	B	with base rails	without base rails
				036	405
048	415	29.5	26.5	37.7	35.3
060	480	30.0	27.5	41.7	39.3

DIMENSIONS continued



ACCESSORIES

Description	Part Number
Roof Curb (8")	547830
Roof Curb (14")	547831
Roof Curb (18")	547850
Roof Curb (24")	547851
Manual Fresh Air Damper	547832
Filter Rack, All Downflow Applications (not required with economizer)	547885
Filter Kit (not required with economizer) for Horizontal Applications PPA1SC 036	547886
Filter Kit (not required with economizer) for Horizontal Applications PPA1SC 048 - 060	547887
Universal Hard Start Kit	912933
Low Pressure Switch Kit	913551
High Pressure Switch Kit	913550
Low Ambient Kit	913549A
P-Trap Kit	913810
Outdoor Thermostat Kit	913852



We Encourage
Professionalism
Through Technician
Certification by NATE



CERTIFICATION APPLIES
ONLY WHEN THE
COMPLETE SYSTEM
IS LISTED WITH ARI



 **MAYTAG**

Before purchasing this appliance, read important energy cost and efficiency information available from your retailer. Specifications and illustrations subject to change without notice and without incurring obligations.

Maytag is a registered trademark of the Maytag Corporation and is used under license.

028C-0306 (Replaces 028C-1105)

Printed in U.S.A. (03/06)