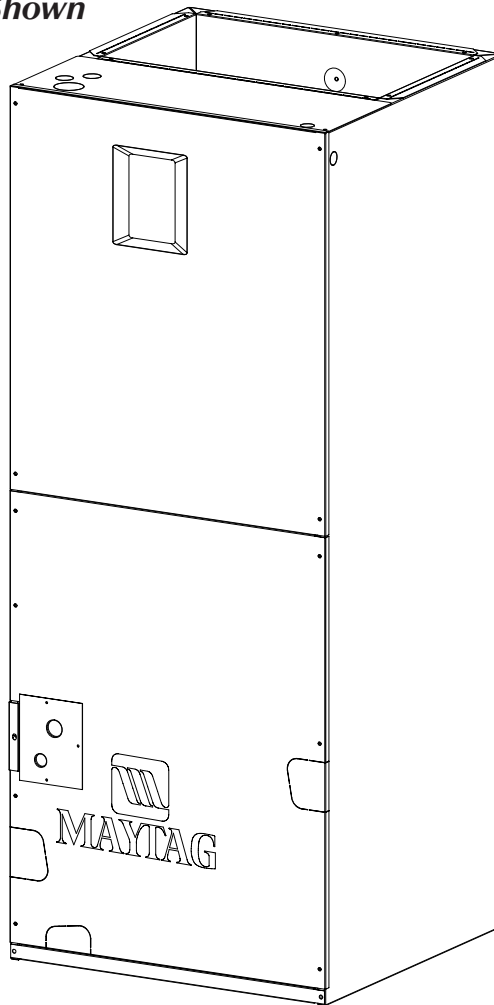




TECHNICAL SPECIFICATIONS

*Model PAH2VM Series
"C" Cabinet Shown*



M1010 Product Line

**Variable Speed Air Handler
13/14 SEER Residential System**

- **10 YEAR
WARRANTY**
- **WORRY-FREE
PERFORMANCE**



The PAH2VM Series of air handlers, when combined with our heat pump or air conditioner, offers a full line of quality, split system heating and cooling equipment.

Features and Benefits

- **10 Year Limited Parts and Labor Warranty** - Proven to be a major benefit to the consumer.
- **Increased Efficiencies**-Air conditioning and heat pump efficiencies up to 14 SEER and 8.5 HSPF.
- **ECM Variable Speed Motor** — Advanced technology allows for 12 selected cooling airflows and 4 heating airflows to match any application.
- **Quiet Blower Operation** — Extra quiet and smooth blower on and off cycles.
- **Constant Airflow** — Motor automatically adjusts to different static loads.
- **Field selectable delay profiles** — Increase efficiency and comfort.
- **Reduced air stratification** — This results in improved air quality by optimizing humidity removal and filtration capabilities.
- **Multi-poised** - Can be used in horizontal, upflow, downflow and vertical applications.
- **Built in Filter Rack** - makes the air handler easy to service.
- **Plug-in Heater Kits** - Available in 5 kw through 30 kw
- **Breaker Accessibility** - Breaker accessible from the front of the unit when heater is applied.
- **Plastic Drain Pan** - Provides corrosion resistance.
- **Durable Cabinet** - Galvanized steel with a polyurethane finish. The finish will endure 950 hours of salt spray and resist corrosion 50% better than comparable units.
- **Stainless Steel Doors** - Brushed stainless steel cabinet doors are durable and attractive.
- **Circuit Board** - Incorporating low voltage terminal strip, and heat-strip sequencing.
- **Ease-of-Service** - Plug-in wire connections and built-in filter rack makes the air handler easy to service.
- **No Fasteners on Sides or Back** - Smooth surfaces for installations.
- **Cabinet Insulation** - 1" insulation with an R-value of 4.2 contributes to quiet operation and prevents cabinet sweating in difficult applications.

ACCESSORIES

Accessory Kit Description	Cabinet Size			Order Number
	A	B	C	
Down-flow adaptor kit	X			917342
		X		919321
			X	919322
Single circuit adaptor for 2 circuit breakers	X	X	X	913874
Single circuit adaptor for 3 circuit breakers	n/a	n/a	X	913556
Horizontal conversion kit for vertical-only units	X	X		903749
		X ¹		919405
			X	914730

¹ Required for *42 models

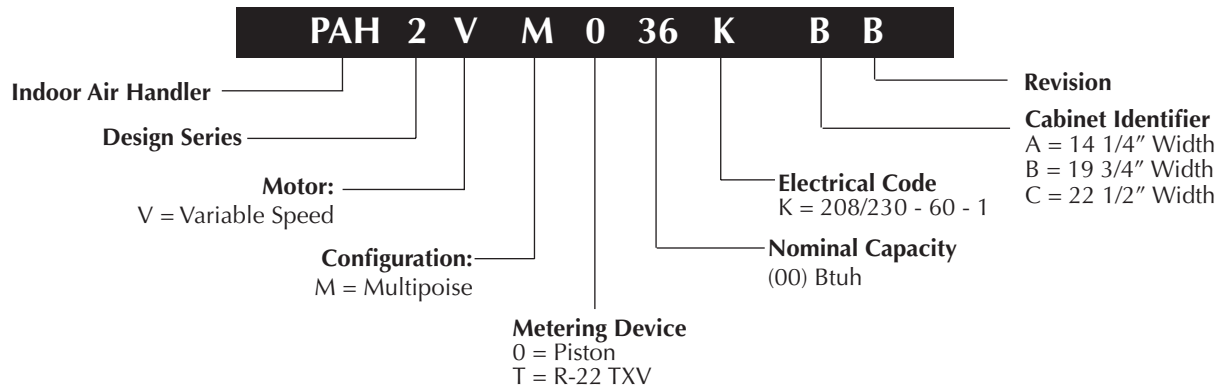
240V Single-Phase Heater Kit Application

Nominal KW	Matched Units								Order Number	
	*24/*25K - A	*30K-A	*24/*25K - B	*30K-B	*36K-B	*42K-B	*48K-C	*60K-C	With Circuit Breakers	Without Circuit Breakers
5	X	X	X	X	X	X	X	X	904407	904406
8	X	X	X	X	X	X	X	X	904409	904408
10	X	X	X	X	X	X	X	X	904412	904411
15	n/a	X	X	X	X	X	X	X	904414	n/a
20	n/a	n/a	X	X	X	X	X	X	904416	n/a
25	n/a	n/a	n/a	n/a	n/a	n/a	X	X	904417	n/a
30	n/a	n/a	n/a	n/a	n/a	n/a	X	X	904418	n/a

240V Three-Phase Heater Kit Application

Nominal KW	Matched Units								Order Number	
	*24/*25K - A	*30K-A	*24/*25K - B	*30K-B	*36K-B	*42K-B	*48K-C	*60K-C	With Circuit Breakers	Without Circuit Breakers
9	X	X	X	X	X	X	X	X	904410	n/a
15	n/a	X	X	X	X	X	X	X	904415	n/a

IDENTIFICATION CODE



AIRFLOW SELECTION FOR VARIABLE SPEED MODELS

Basic Airflow Setting

BASIC AIR-FLOW SETTINGS *24/*25/*30 A-CABINET					
Nominal Airflow	Switch Number				External Static Pressure Range*
	1	2	3	4	+/- 5% of nominal air-flow
540	0	0	0	1	0.2 - 0.8"
600	0	0	0	0	0.2 - 0.9"
660	0	0	1	0	0.2 - 1.0"
715	1	0	0	1	0.2 - 1.0"
790	1	0	0	0	0.2 - 1.1"
870	1	0	1	0	0.1 - 1.1"
915	0	1	0	1	0.1 - 1.1"
955	1	1	0	1	0.1 - 1.0"
1015	0	1	0	0	0.0 - 1.1"
1060	0	1	1	0	0.1 - 1.0"
1075	1	1	0	0	0.1 - 1.0"
1165	1	1	1	0	0.2 - 1.0"
1=ON 0=OFF					

BASIC AIR-FLOW SETTINGS *24/*25/*30/*36 B-CABINET					
Nominal Airflow	Switch Number				External Static Pressure Range*
	1	2	3	4	+/- 5% of nominal air-flow
720	0	0	0	1	0.1 - 1.0"
800	0	0	0	0	0.0 - 1.1"
880	0	0	1	0	0.0 - 1.2"
850	1	0	0	1	0.0 - 1.2"
945	1	0	0	0	0.0 - 1.2"
1040	1	0	1	0	0.0 - 1.2"
1085	0	1	0	1	0.0 - 1.2"
1140	1	1	0	1	0.0 - 1.2"
1205	0	1	0	0	0.1 - 1.2"
1325	0	1	1	0	0.2 - 0.9"
1265	1	1	0	0	0.1 - 1.0"
1390	1	1	1	0	0.2 - 0.8"
1=ON 0=OFF					

BASIC AIR-FLOW SETTINGS *42 TALL B-CABINET					
Nominal Airflow	Switch Number				External Static Pressure Range*
	1	2	3	4	+/- 5% of nominal air-flow
720	0	0	0	1	0.0 - 1.0"
800	0	0	0	0	0.0 - 1.2"
880	0	0	1	0	0.0 - 1.2"
850	1	0	0	1	0.0 - 1.2"
945	1	0	0	0	0.0 - 1.2"
1040	1	0	1	0	0.0 - 1.2"
1085	0	1	0	1	0.0 - 1.2"
1140	1	1	0	1	0.0 - 1.2"
1205	0	1	0	0	0.1 - 1.2"
1325	0	1	1	0	0.1 - 0.9"
1265	1	1	0	0	0.1 - 1.0"
1390	1	1	1	0	0.1 - 0.9"
1=ON 0=OFF					

BASIC AIR-FLOW SETTINGS *48/*49/*60 C-CABINET					
Nominal Airflow	Switch Number				External Static Pressure Range*
	1	2	3	4	+/- 5% of nominal air-flow
1075	0	0	0	1	0.0 - 1.0"
1225	0	0	0	0	0.0 - 1.0"
1380	0	0	1	0	0.0 - 1.0"
1135	1	0	0	1	0.0 - 1.0"
1295	1	0	0	0	0.0 - 1.2"
1460	1	0	1	0	0.0 - 1.2"
1525	0	1	0	1	0.0 - 1.2"
1625	1	1	0	1	0.0 - 1.2"
1740	0	1	0	0	0.1 - 1.2"
1960	0	1	1	0	0.1 - 0.9"
1860	1	1	0	0	0.1 - 1.0"
2090	1	1	1	0	0.1 - 0.9"
1=ON 0=OFF					

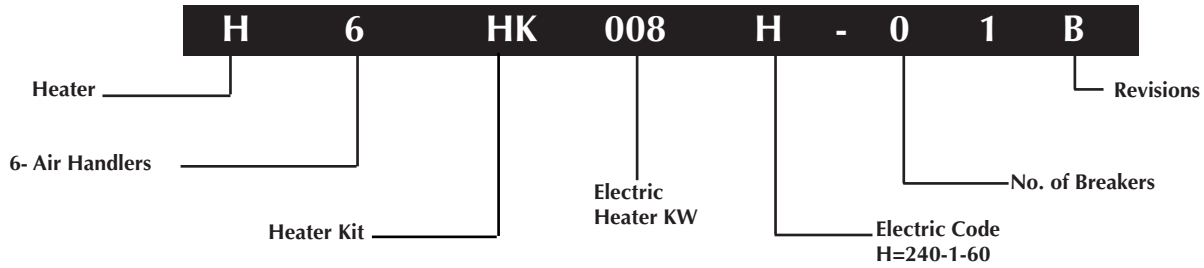
***NOTES:**

1. External static pressure is shown in inches of w.c.
2. All airflows measured without filter. Subtract .08" external static pressure for filter.
3. All airflows measured with dry coil. Subtract .10" external static pressure for wet coil.

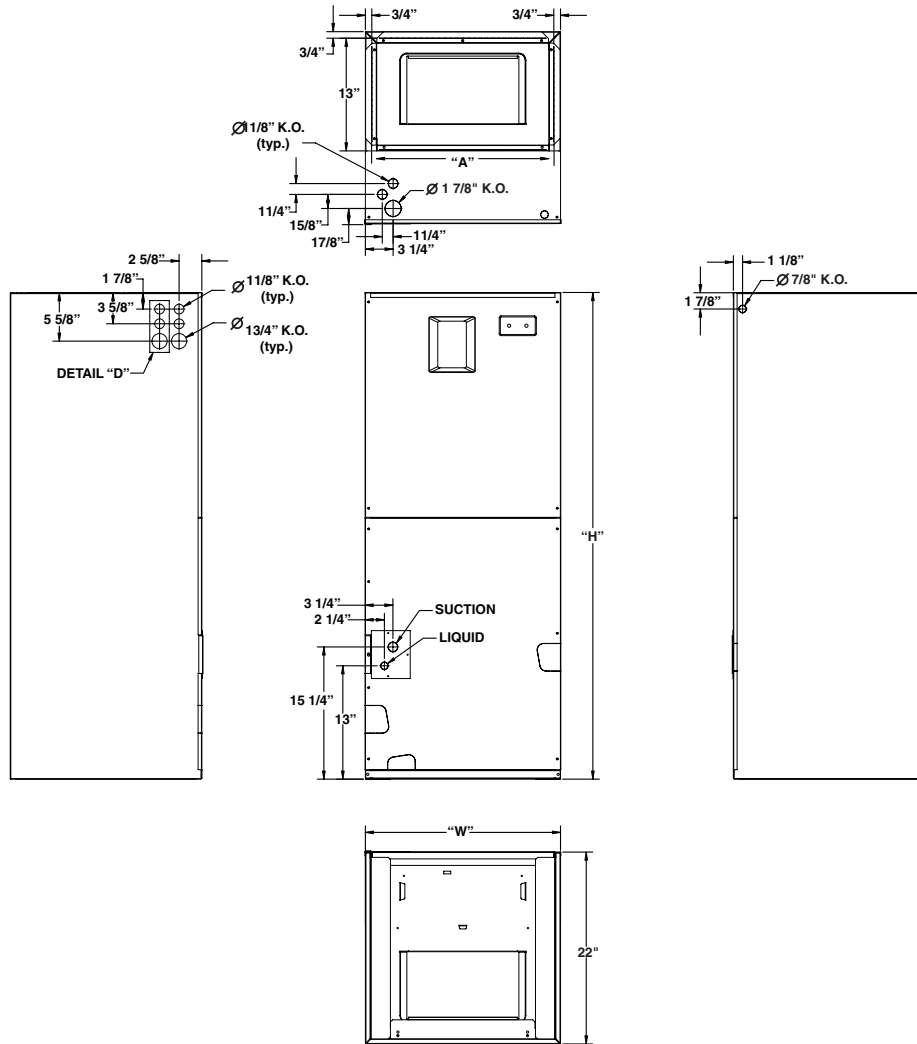
ELECTRICAL DATA

Model Number H6HK- Voltage KW			Standard Air Handler (A & B size)								Variable Speed & Std Air Handler (C size)							
			Min. Circuit Ampacity				Max. Over-Current Protection				Min. Circuit Ampacity				Max. Over-Current Protection			
			Circuit A	Circuit B	Circuit C	Single Circuit	Circuit A	Circuit B	Circuit C	Single Circuit	Circuit A	Circuit B	Circuit C	Single Circuit	Circuit A	Circuit B	Circuit C	Single Circuit
005H-XX	240	4.8	-	-	-	30	-	-	-	30	-	-	-	34	-	-	-	40
008H-XX	240	7.5	-	-	-	45	-	-	-	50	-	-	-	48	-	-	-	50
010H-XX	240	9.6	-	-	-	55	-	-	-	60	-	-	-	59	-	-	-	60
015H-XX	240	14.4	55	25	-	80	60	30	-	90	59	25	-	83	60	30	-	90
020H-XX	240	19.2	55	50	-	105	60	60	-	125	59	50	-	109	60	60	-	125
025H-XX	240	24.0	-	-	-	-	-	-	-	-	59	50	25	134	60	60	30	150
030H-XX	240	28.8	-	-	-	-	-	-	-	-	59	50	50	159	60	60	60	175
005H-XX	208	3.6	-	-	-	27	-	-	-	30	-	-	-	30	-	-	-	40
008H-XX	208	5.6	-	-	-	39	-	-	-	40	-	-	-	42	-	-	-	50
010H-XX	208	7.2	-	-	-	48	-	-	-	50	-	-	-	52	-	-	-	60
015H-XX	208	10.8	48	21	-	70	50	25	-	80	52	22	-	73	60	25	-	80
020H-XX	208	14.4	48	43	-	92	50	50	-	100	52	43	-	95	60	50	-	100
025H-XX	208	18.0	-	-	-	-	-	-	-	-	52	43	22	117	60	50	25	125
030H-XX	208	21.6	-	-	-	-	-	-	-	-	52	43	43	138	60	50	50	150
009Q-XX	240	9.0	-	-	-	32	-	-	-	40	-	-	-	36	-	-	-	40
015Q-XX	240	14.4	-	-	-	48	-	-	-	50	-	-	-	52	-	-	-	60
009Q-XX	208	6.8	-	-	-	29	-	-	-	30	-	-	-	32	-	-	-	40
015Q-XX	208	10.8	-	-	-	43	-	-	-	50	-	-	-	46	-	-	-	50

IDENTIFICATION CODE



DIMENSIONS



Model Number PAH2VM	*24K-A	*25K-A	*30K-A	*24K-B	*25K-B	*30K-B	*36K-B	*42K-B	*48K-C	*49K-C	*60K-C
Nominal cooling capacity - BTUh ¹	24000	24000	30000	24000	24000	30000	36000	42000	48000	48000	60000
Orifice size (if supplied) ²	0.050	0.061	0.069	0.050	0.061	0.069	0.078	0.083	0.090	0.090	0.101
Maximum Available Auxiliary Heat	10	10	15	10	10	20	20	20	30	30	30
Nominal Blower Size (Dia. x Width)	10 x 6	10 x 6	10 x 6	11 x 8	11 x 8	11 x 8	11 x 8	11 x 8	11 x 10	11 x 10	11 x 10
Motor Hp-speeds-type	1/2-VS	1/2-VS	1/2-VS	1/2-VS	1/2-VS	1/2-VS	1/2-VS	1/2-VS	3/4-VS	3/4-VS	3/4-VS
Filter Size (supplied internal filter rack) ³	12x20x1	12x20x1	12x20x1	18x20x1	18x20x1	18x20x1	18x20x1	18x20x1	20x20x1	20x20x1	20x20x1
Approximate Shipping Weight, lbs	91	91	94	111	111	114	114	134	154	154	159
Height, "H", in.	43-5/16	43-5/16	43-5/16	43-5/16	43-5/16	43-5/16	43-5/16	49-5/16	55-15/16	55-15/16	55-15/16
Width, "W", in.	14-3/16	14-3/16	14-3/16	19-11/16	19-11/16	19-11/16	19-11/16	19-11/16	22-7/16	22-7/16	22-7/16
Supply Air Outlet Dimension, in.	12-7/8 x 12-3/4	12-7/8 x 12-3/4	12-7/8 x 12-3/4	12-7/8 x 18-1/4	12-7/8 x 18-1/4	12-7/8 x 18-1/4	12-7/8 x 18-1/4	12-7/8 x 18-1/4	12-7/8 x 21	12-7/8 x 21	12-7/8 x 21
Ref. Connection Sizes, in. (suc./liq.)	3/4 - 3/8	3/4 - 3/8	3/4 - 3/8	3/4 - 3/8	3/4 - 3/8	3/4 - 3/8	3/4 - 3/8	7/8 - 3/8	7/8 - 3/8	7/8 - 3/8	7/8 - 3/8

1 See current ARI Directory for certified combinations and ratings.

2 When supplied, orifice is sized for most common R-22 13 SEER HP match. See outdoor unit documentation for orifice size.

3 Filter is not supplied with unit.



Before purchasing this appliance, read important energy cost and efficiency information available from your retailer. Specifications and illustrations subject to change without notice and without incurring obligations.

Maytag is a registered trademark of the Maytag Corporation and is used under license to NORDYNE Inc.

200C-0906 (Replaces 200C-0606)

Printed in U.S.A. (09/06)