



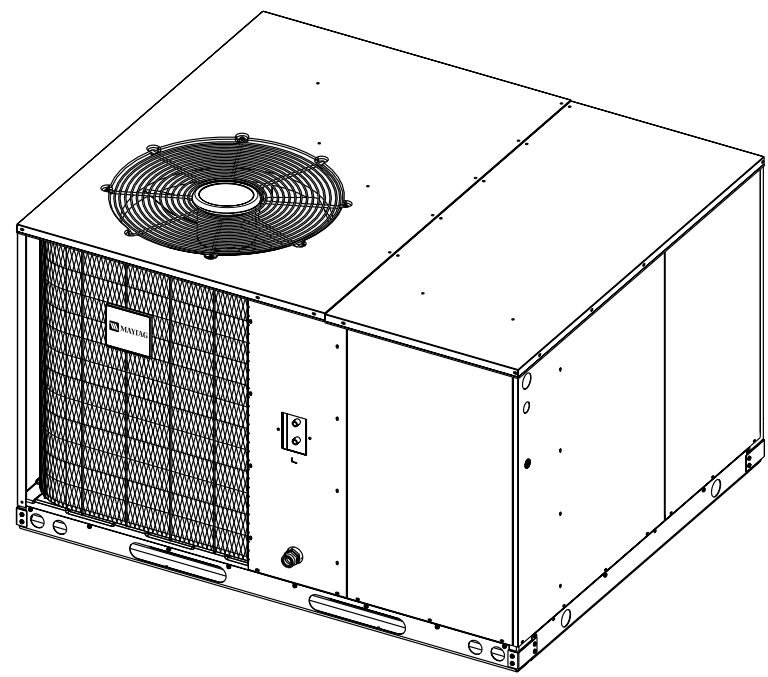
**MAYTAG**  
TM

---

# TECHNICAL SPECIFICATIONS

---

*Model PPA1SC Series*



M1010 Product Line

**Single Packaged Air Conditioner  
12 SEER - 3, 4 and 5 Ton Units**

- **10 YEAR WARRANTY**
- **WORRY-FREE PERFORMANCE**
- **5 YEAR DEPENDABILITY PROMISE**

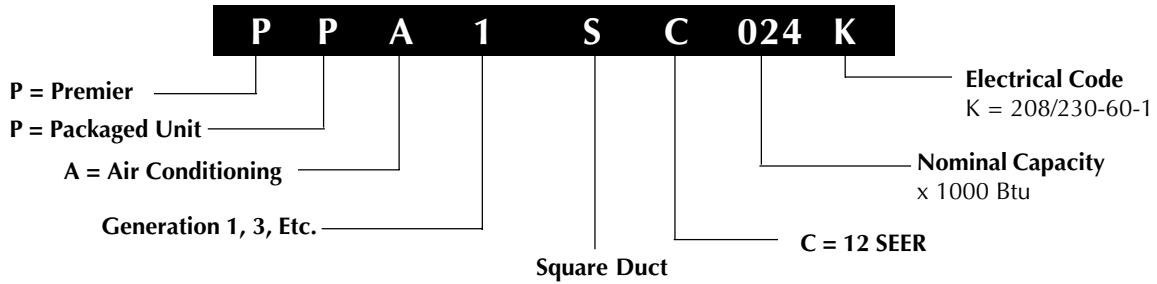


The PPA1SC Series single packaged air conditioners are high efficiency self contained cooling units that can be installed on a roof or on a slab. The convertible unit design makes installations simple in all applications. Units are ETL and ETLc listed. The unit is truly designed with the contractor and the consumer in mind.

**Features and Benefits**

- **Compact Footprint/Low Profile**  
Easy to handle and transport.
- **Five Minute Restart Time Delay** – When the unit shuts down, a five minute delay keeps the unit from restarting, eliminating the highest cause for compressor failure.
- **Heavy-Gauge, Full Perimeter Base Rails**  
Facilitates forklift handling and curb mounting.
- **Convertible Air Delivery**  
Horizontal or downflow to accommodate rooftop or horizontal application.
- **Galvanized Steel Cabinet**  
Unit is trimmed in a silicone-protected polyester finish with a 950 hour salt spray finish that resists corrosion 50% better than comparable units.
- **Plastic Coated Coil Guard and Mesh Hail Guard**  
Will never rust and protects the coil from being damaged by balls, lawnmowers, hail etc.
- **Externally Accessible Service Ports**  
Quick access to refrigerant system without disrupting operation.
- **Low Pressure Control** – Loss of charge protection ensures long compressor life.
- **Access to Controls and Major Components**  
Easy in and out service.
- **Corrosion-Resistant Drain Pan**  
Quickly drains away evaporator condensate.
- **Service Access Panels**  
Allows easy access to all major components and the compressor. Designed to make servicing easier for the Contractor.
- **Easy to Install**  
Electric heat strip provides up to 20 KW of heat output.
- **Proven, Industry Standard Components**  
Easier service and availability.
- **Quiet Operation and Low Vibration**  
20" fan blade combined with custom venturi condenser fan.
- **Accessories**  
Roof curbs and more.
- **10 Year Residential Parts and Labor Warranty and 5 Year Dependability Promise**  
The best warranty in the business.

# IDENTIFICATION CODE



# SPECIFICATIONS

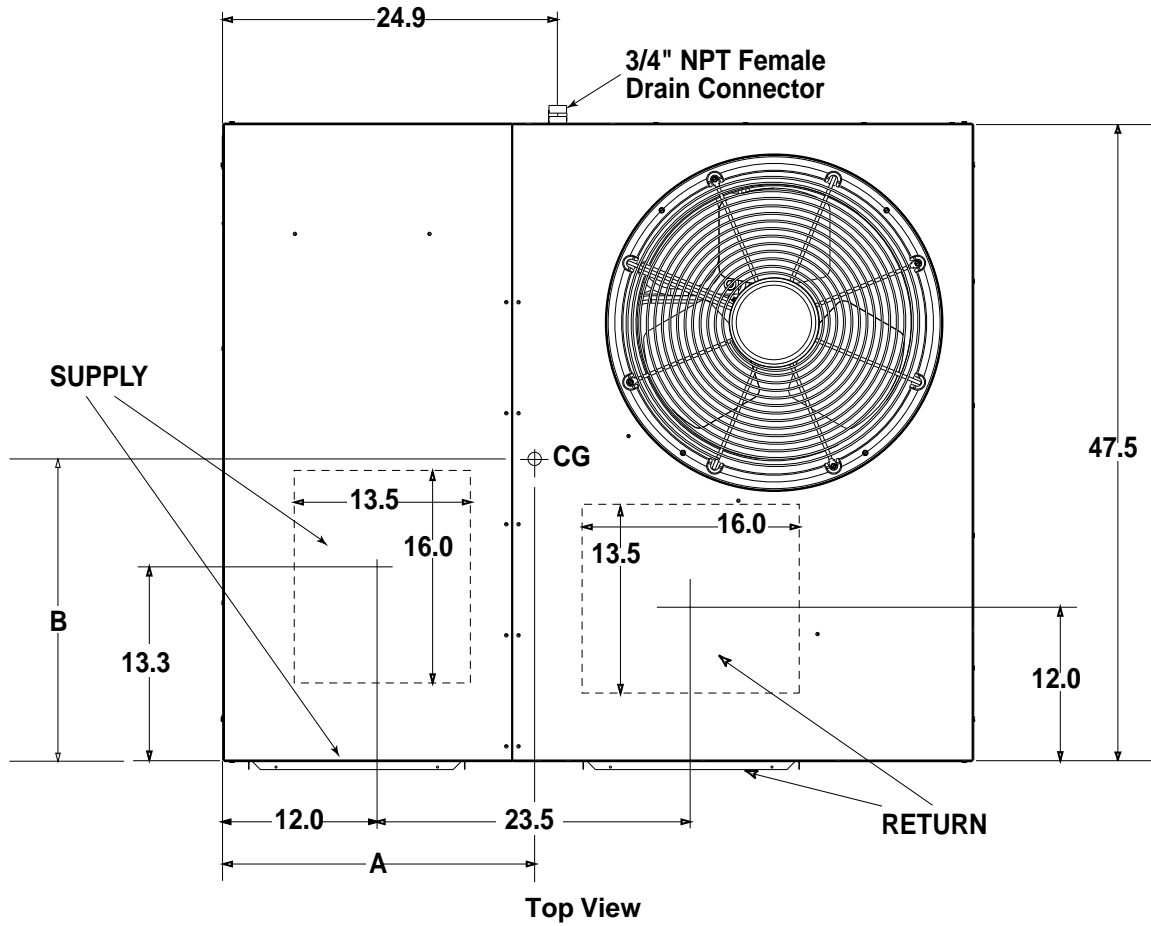
Model Number	PPA1SC		
	036K	048K	060K
<b>Performance</b>			
Capacity -Cooling BTUH	35,000	47,000	60,000
Efficiency - SEER	12.00	12.00	12.00
EER (Btuh/watt)	11.00	10.90	10.50
<b>Electrical Rating - 60 Hz</b>			
Phase	1	1	1
Operating Voltage Range	187 - 253	187 - 253	187 - 253
<b>Compressor Data</b>			
Volts	208 / 230	208 / 230	208 / 230
Rated Load Amps	15.7	21.4	32.1
Lock Rotor Amps	93	137	169
<b>Indoor Blower</b>			
Type / No. of Speeds	DD / 3	DD / 3	DD / 3
Motor - HP / RPM	1/4 - 1100	1/2 - 1100	1/2 - 1100
Motor - Amps	1.3	3.1	3.1
<b>Outdoor Fan</b>			
Motor - HP / RPM	1/4 - 825	1/4 - 825	1/3 - 825
Motor - Amps	1.2	1.2	1.2
Fan Diameter / CFM	20/3600	20/3600	20/3600
<b>Refrigerant Charge - Oz.</b>	68	136	160
<b>Shipping Weight</b>	345	415	425

# BLOWER PERFORMANCE

Model PPA1SC	Speed	External Static Pressure Drop - inches water column							
		0.1	0.2	0.3	0.4	0.5	0.6	0.7	0.8
036	High	1600	1510	1410	1310	1200	1070	930	760
	Medium*	1410	1330	1250	1150	1050	940	820	670
	Low	1130	1070	1000	930	850	760	650	530
048	High	2170	2100	2040	1960	1890	1810	1730	1650
	Medium*	1910	1860	1800	1730	1670	1600	1530	1450
	Low	1540	1490	1440	1390	1340	1280	1220	1160
060	High	2200	2140	2070	2000	1930	1850	1770	1690
	Medium*	1940	1890	1830	1760	1700	1630	1560	1490
	Low	1560	1510	1460	1410	1360	1310	1250	1200

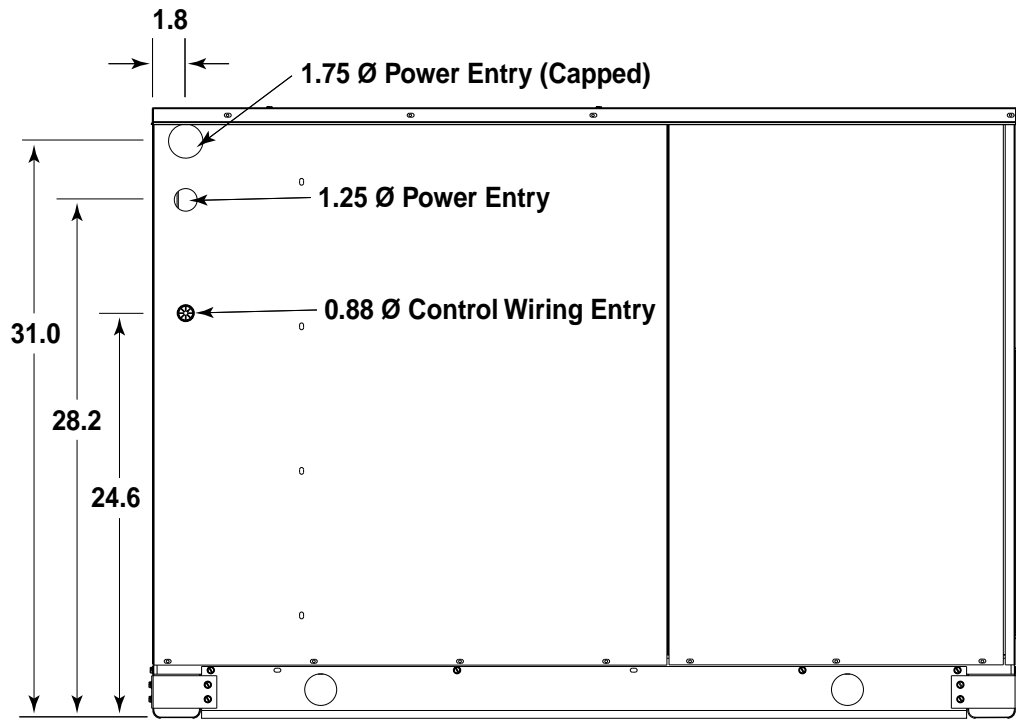
\* Factory Set Speed

# DIMENSIONS

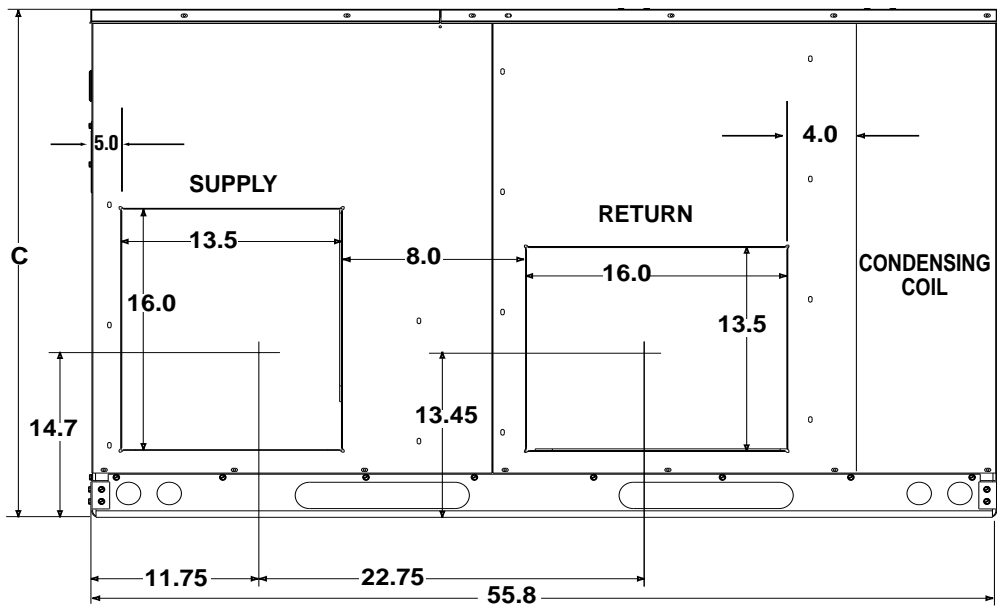


Model Number PPA1SC	Unit Weight	Center of Gravity		Height (in inches)	
		A	B	C	
				with base rails	without base rails
036	335	28.0	25.5	36.0	31.3
048	405	29.5	26.0	40.0	35.3
060	415	29.5	26.5	40.0	35.3

# DIMENSIONS continued



Side View



Back (Duct) View

# ELECTRICAL DATA

Model Number	Heater Installed Nom. KW	Single Supply Circuit Option						Multiple Supply Circuit Option											
		Circuit A (Compressor & Fan)			Circuit B (Blower & Heater)			Circuit A (Compressor & Fan)				Circuit B (Blower & Heater)				Circuit C (Heater Only)			
		Minimum Circuit Amp.	Rec Wire Gauge (60°C Cu)	Rec Wire Gauge (75°C Cu)	Rec Wire Gauge (90°C Cu)	Minimum Circuit Amp.	Rec Wire Gauge (60°C Cu)	Rec Wire Gauge (75°C Cu)	Rec Wire Gauge (90°C Cu)	Minimum Circuit Amp.	Rec Wire Gauge (60°C Cu)	Rec Wire Gauge (75°C Cu)	Rec Wire Gauge (90°C Cu)	Minimum Circuit Amp.	Rec Wire Gauge (60°C Cu)	Rec Wire Gauge (75°C Cu)	Rec Wire Gauge (90°C Cu)	Maximum Over-current Rating*	
PPA1SC036K	5	22.5	10	10	10	35	-	-	-	-	-	-	-	-	-	-	-	-	
	8	26.6	10	10	10	35	-	-	-	-	-	-	-	-	-	-	-	-	
	10	41.2	6	8	8	45	-	-	-	-	-	-	-	-	-	-	-	-	
	15	51.6	6	6	8	60	-	-	-	-	-	-	-	-	-	-	-	-	
	15	76.6	3	4	4	80	50.0	6	8	8	60	26.6	10	10	10	30	-	-	
PPA1SC048K	0	31.1	8	8	8	50	-	-	-	-	-	-	-	-	-	-	-	-	
	5	31.1	8	8	8	50	-	-	-	-	-	-	-	-	-	-	-	-	
	8	43.5	6	8	8	50	-	-	-	-	-	-	-	-	-	-	-	-	
	10	53.9	6	6	8	60	50	6	8	8	60	28.9	10	10	10	30	-	-	
	15	78.9	3	4	4	80	50	6	8	8	60	28.9	10	10	10	30	-	-	
	20	103.9	1	2	3	110	50	6	8	8	60	53.9	6	6	8	60	-	-	
PPA1SC060K	0	40.6	6	8	8	60	-	-	-	-	-	-	-	-	-	-	-	-	
	5	40.6	6	8	8	60	-	-	-	-	-	-	-	-	-	-	-	-	
	8	43.5	6	8	8	60	-	-	-	-	-	-	-	-	-	-	-	-	
	10	53.9	6	6	8	60	50	6	8	8	60	28.6	10	10	10	30	-	-	
	15	78.9	3	4	4	80	37.5	8	8	8	60	53.9	6	6	8	60	-	-	
	20	103.9	1	2	3	110	37.5	8	8	8	60	53.9	6	6	8	60	-	-	
PPA1SC060C	0	28.4	10	10	10	45	-	-	-	-	-	-	-	-	-	-	-	-	
	9	31	8	8	8	45	25.3	10	10	10	40	31	8	8	8	35	-	-	
	15	49	6	8	8	50	25.3	10	10	10	40	49	6	8	8	50	-	-	

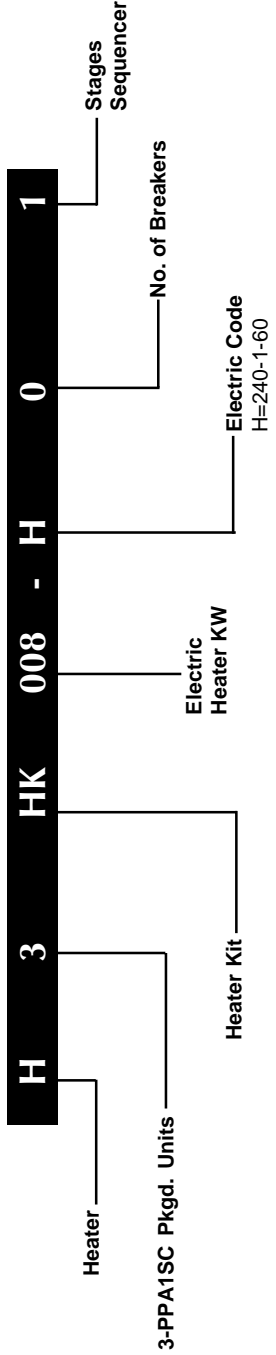
\*When overcurrent rating exceeds 60, internal circuit breakers must be installed in addition to branch circuit protection at distribution panel.

# HEATER APPLICATION MATRIX

Model Number	H3HK-005H-01A 917166A	H3HK-008H-01A 917167A	H3HK-010H-01A 917168A	H3HK-015H-01A 917169A	H3HK-020H-01A 917170A	H3HK-015H-21A 917172A	H3HK-020H-21A 917173A
PPA1SC036K	X	X	X(2)	X(2)	NA	X	NA
PPA1SC048K	X(2)	X(2)	X(2)	X(3)	X(3)	X(1)	X(1)
PPA1SC060K	X(2)	X(2)	X(2)	X(3)	X(3)	X(1)	X(1)

NA = Not Applicable.  
( ) = Number of internal circuit breaker kits required.

# IDENTIFICATION CODE



## ACCESSORIES

Description	Part Number
Roof Curb (8")	547830
Roof Curb (14")	547831
Roof Curb (18")	547850
Roof Curb (24")	547851
Manual Fresh Air Damper	547832
Filter Rack, All Downflow Applications (not required with economizer)	547885
Filter Kit (not required with economizer) for Horizontal Applications PPA1SC 036	547887
Filter Kit (not required with economizer) for Horizontal Applications PPA1SC 048 - 060	547888
Universal Hard Start Kit	912933
High Pressure Switch Kit	913550
Low Ambient Kit	913549A
P-Trap Kit	913810
Outdoor Thermostat Kit	913852



Before purchasing this appliance, read important energy cost and efficiency information available from your retailer. Specifications and illustrations subject to change without notice and without incurring obligations.

Maytag is a registered trademark of the Maytag Corporation and is used under license to NORDYNE Inc.

287B-0303 (Replaces 287B-0802)

Printed in U.S.A. (03/03)