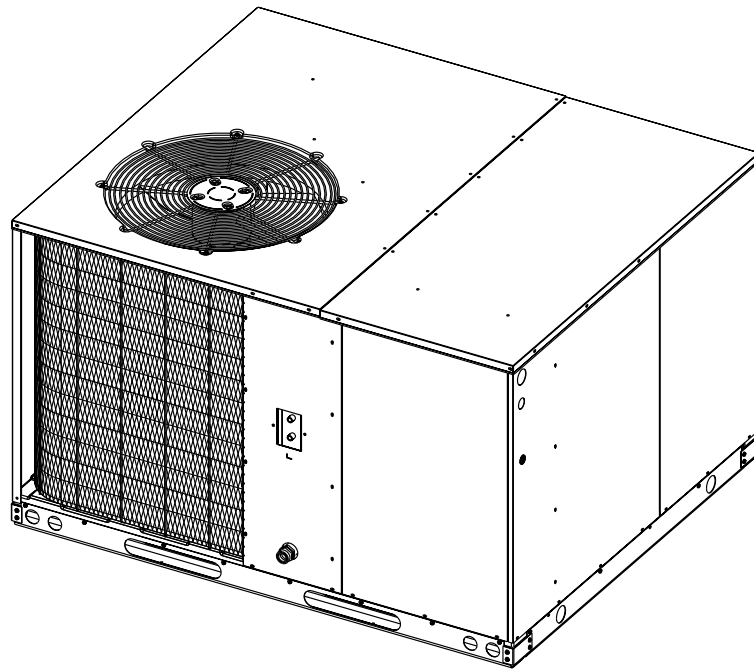




**MAYTAG**  
TM

## TECHNICAL SPECIFICATIONS

### *Model P4SA Series*



M1000 Product Line

**Single Packaged Air Conditioning,  
10 SEER - 3, 4 and 5 Ton Units**

- **10 YEAR WARRANTY**
- **WORRY-FREE PERFORMANCE**

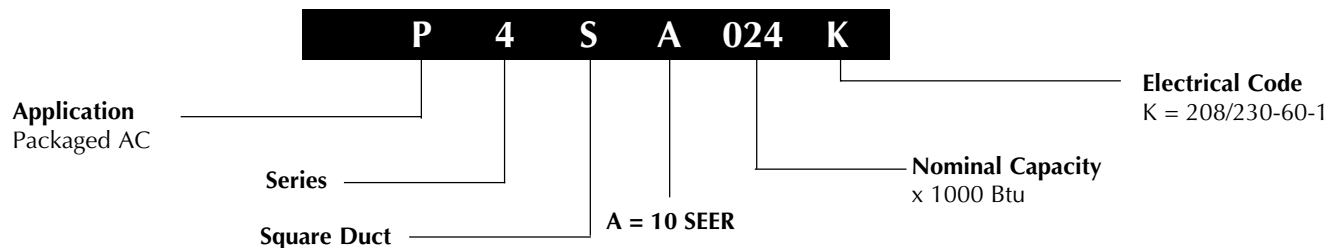


The P4SA Series single packaged air conditioners are high efficiency self contained cooling units that can be installed on a roof or on a slab. The convertible unit design makes installations simple in all applications. Units are ETL and ETLc listed. The unit is truly designed with the contractor and the consumer in mind.

### Features and Benefits

- **Compact Footprint/Low Profile**  
Easy to handle and transport.
- **Five Minute Restart Time Delay** – When the unit shuts down, a five minute delay keeps the unit from restarting, eliminating the highest cause for compressor failure.
- **Heavy-Gauge, Full Perimeter Base Rails**  
Facilitates forklift handling and curb mounting.
- **Convertible Air Delivery**  
Horizontal or downflow to accommodate rooftop or horizontal application.
- **Galvanized Steel Cabinet**  
Polyurethane finish provides 950 hours salt spray protection.
- **Plastic Coated Coil Guard and Mesh Hail Guard**  
Will never rust and protects the coil from being damaged by balls, lawnmowers, hail etc.
- **Externally Accessible Service Ports**  
Quick access to refrigerant system without disrupting operation.
- **Access to Controls and Major Components**  
Easy in and out service.
- **Corrosion-Resistant Drain Pan**  
Quickly drains away evaporator condensate.
- **Service Access Panels**  
Allows easy access to all major components and the compressor. Designed to make servicing easier for the Contractor.
- **Easy to Install**  
Electric heat strip provides up to 20 KW of heat output.
- **Proven, Industry Standard Components**  
Easier service and availability.
- **Quiet Operation and Low Vibration**  
20" fan blade combined with custom venturi condenser fan.
- **Accessories**  
Roof curbs and more.
- **10 Year Residential Parts Warranty**  
The best warranty in the business.

# IDENTIFICATION CODE



# SPECIFICATIONS

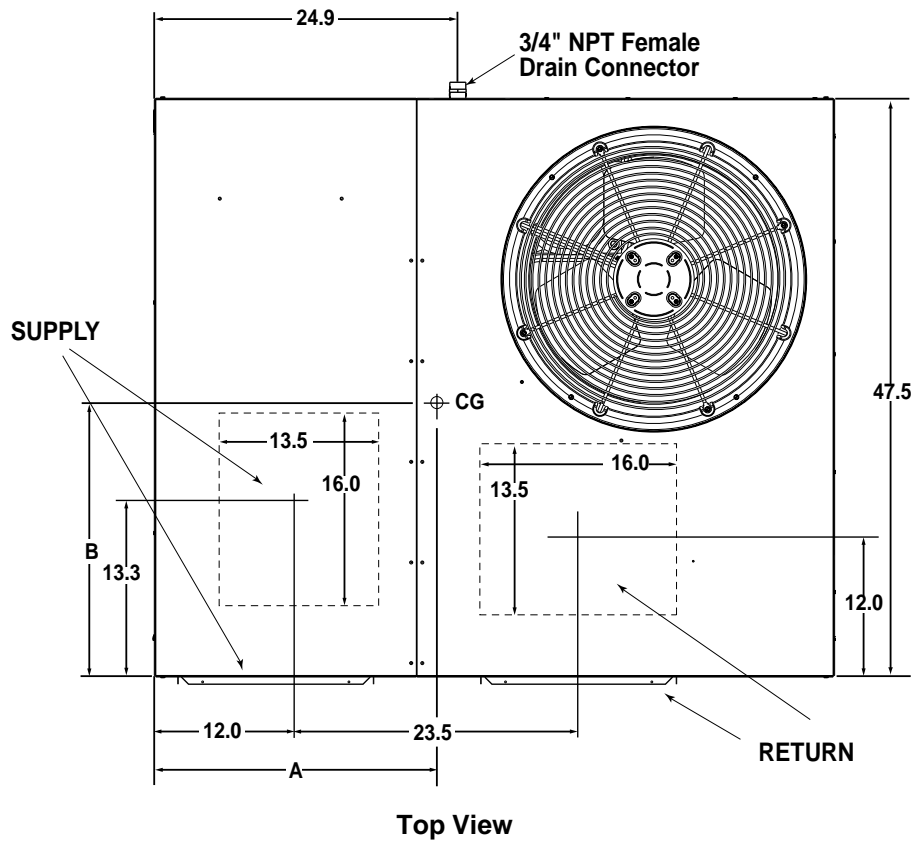
Model Number	P4SA-		
	036K	048K	060K
<b>Performance</b>			
Capacity -Cooling BTUH	36,000	47,000	61,000
Efficiency - SEER	10.00	10.00	10.00
EER (Btuh/watt)	9.50	9.40	9.60
<b>Electrical Rating - 60 Hz</b>			
Phase	1	1	1
Operating Voltage Range	187 - 253	187 - 253	187 - 253
<b>Compressor Data</b>			
Volts	208 / 230	208 / 230	208 / 230
Rated Load Amps	14.8	21.8	27
Lock Rotor Amps	96	131	144
<b>Indoor Blower</b>			
Type / No. of Speeds	DD / 3	DD / 3	DD / 3
Motor - HP / RPM	1/4 - 1100	1/2 - 1100	1/2 - 1100
Motor - Amps	1.3	3.1	3.1
<b>Outdoor Fan</b>			
Motor - HP / RPM	1/4 - 825	1/4 - 825	1/4 - 825
Motor - Amps	1.2	1.2	1.2
Fan Diameter / CFM	20/3600	20/3600	20/3600
<b>Refrigerant Charge - Oz.</b>	61	80	104
<b>Shipping Weight</b>	340	355	390

# BLOWER PERFORMANCE

Model P4SA-	Speed	External Static Pressure Drop - inches water column							
		0.1	0.2	0.3	0.4	0.5	0.6	0.7	0.8
036	High	1600	1510	1410	1310	1200	1070	930	760
	Medium*	1410	1330	1250	1150	1050	940	820	670
	Low	1130	1070	1000	930	850	760	650	530
048	High	2000	1930	1850	1770	1690	1600	1510	1410
	Medium*	1760	1700	1630	1560	1490	1410	1330	1250
	Low	1410	1360	1310	1250	1200	1130	1070	1000
060	High	2200	2140	2070	2000	1930	1850	1770	1690
	Medium*	1940	1890	1830	1760	1700	1630	1560	1490
	Low	1560	1510	1460	1410	1360	1310	1250	1200

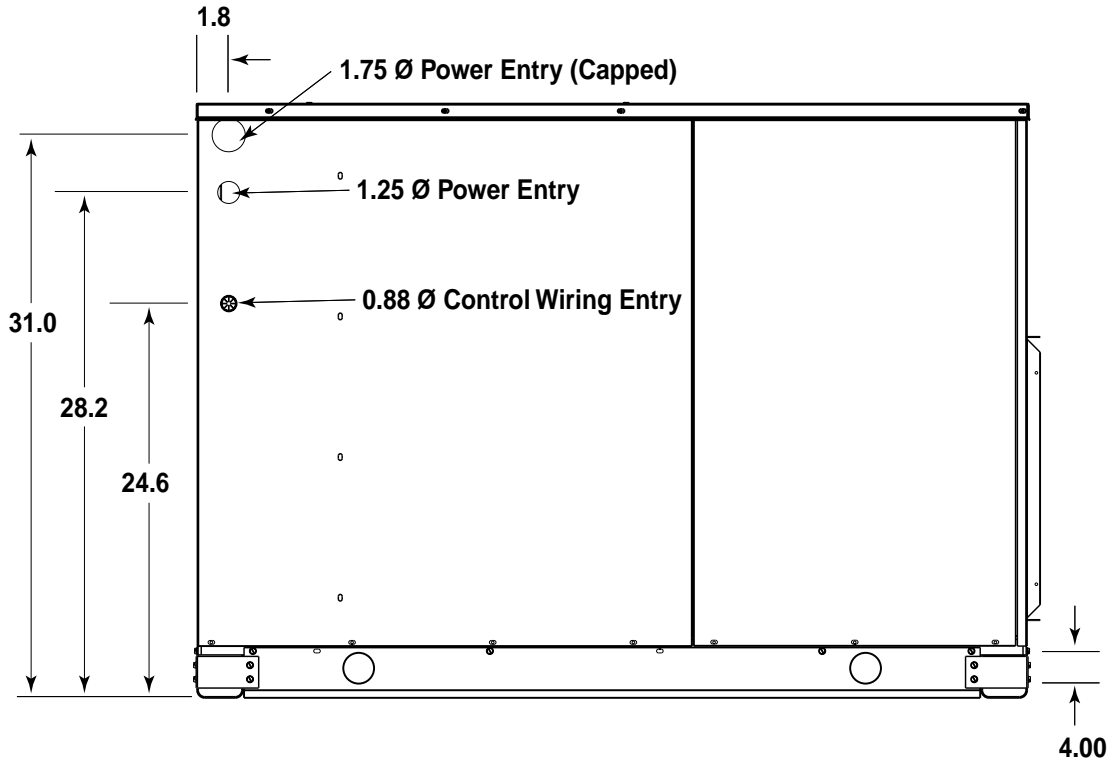
\* Factory Set Speed

# DIMENSIONS

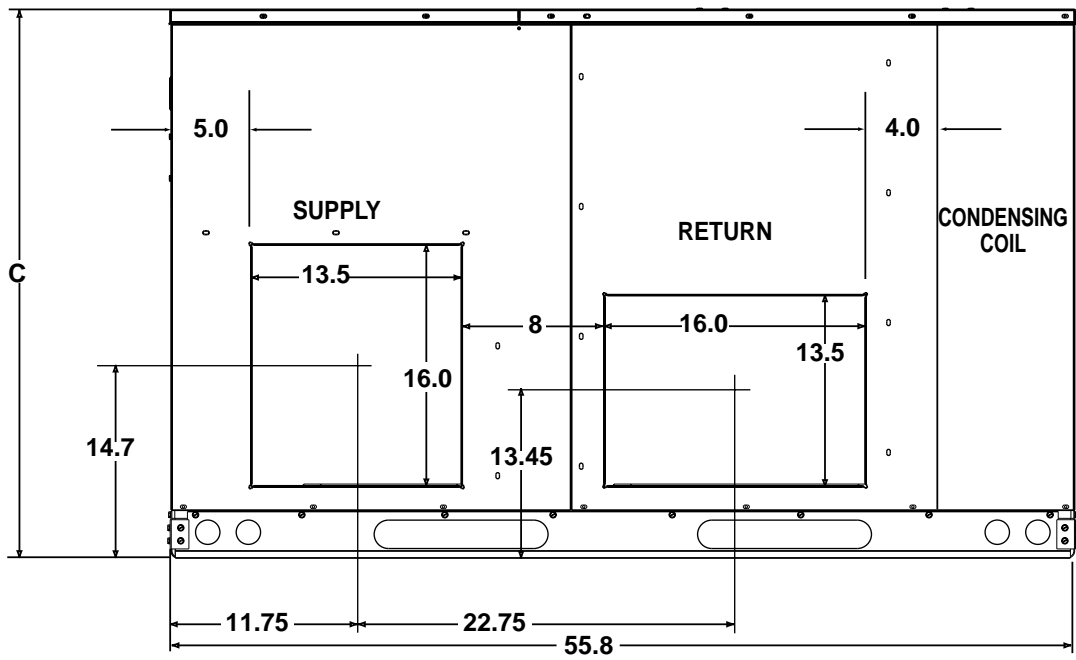


Model Number P4SA-	Unit Weight	Center of Gravity		Height (in inches)	
		A	B	C	
				with base rails	without base rails
036	330	27.5	26.5	36	31.3
048	345	28.0	26.0	36	31.3
060	380	28.5	26.5	40	35.3

# DIMENSIONS continued



Side View



Back (Duct) View



## ACCESSORIES

Description	Part Number
Roof Curb (8")	547830
Roof Curb (14")	547831
Roof Curb (18")	547850
Roof Curb (24")	547851
Manual Fresh Air Damper	547832
Filter Rack, All Downflow Applications (not required with economizer)	547885
Filter Kit (not required with economizer) for Horizontal Applications P4SA 036	547886
Filter Kit (not required with economizer) for Horizontal Applications P4SA 048	547887
Filter Kit (not required with economizer) for Horizontal Applications P4SA 060	547888
Universal Hard Start Kit	912933
Low Pressure Switch Kit	913551
High Pressure Switch Kit	913550
Low Ambient Kit	913549A
P-Trap Kit	913810
U.S. LP Gas Conversion Kit (0 ft to 10,000 ft above sea level)	903616
Canadian LP Gas Conversion Kit (0 to 4,500 ft above sea level)	903617
Outdoor Thermostat Kit	913852



Before purchasing this appliance, read important energy cost and efficiency information available from your retailer. Specifications and illustrations subject to change without notice and without incurring obligations.

Maytag is a registered trademark of the Maytag Corporation and is used under license to NORDYNE Inc.

302B-0303 (Replaces 302B-0802)

Printed in U.S.A. (03/03)