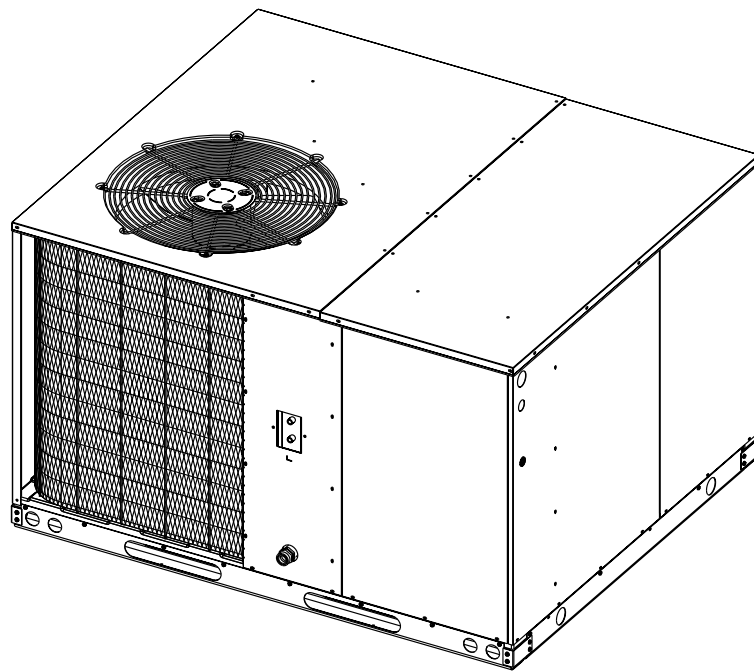




MAYTAG
TM

TECHNICAL SPECIFICATIONS

Model Q4SA Series



M1000 Product Line

Single Packaged Heat Pump
10 SEER — 2 1/2 - 5 Ton Units

- **10 YEAR WARRANTY**
- **WORRY-FREE PERFORMANCE**

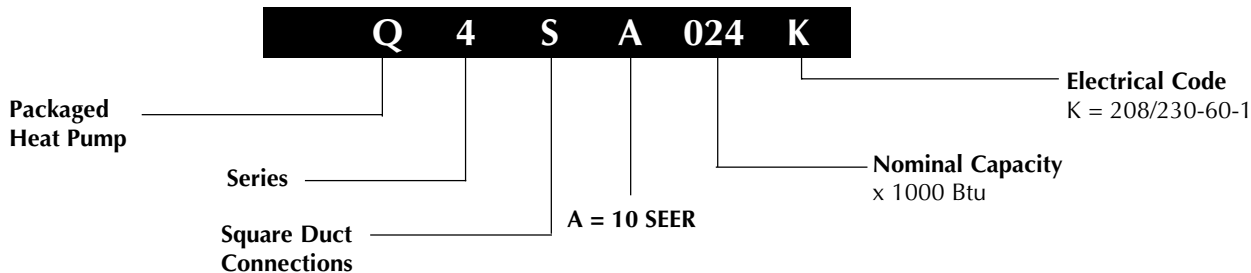


The Q4 Series single packaged heat pumps are high efficiency self contained cooling and heating units that can be installed on a roof or on a slab. The convertible unit design makes installations simple in all applications. Units are ETL and ETLc listed. The unit is truly designed with the contractor and the consumer in mind.

Features and Benefits

- **Compact Footprint/Low Profile**
Easy to handle and transport.
- **Five Minute Restart Time Delay** – When the unit shuts down, a five minute delay keeps the unit from restarting, eliminating the highest cause for compressor failure.
- **Heavy-Gauge, Full Perimeter Base Rails**
Facilitates forklift handling and curb mounting.
- **Convertible Air Delivery**
Horizontal or downflow to accommodate rooftop or horizontal application.
- **Galvanized Steel Cabinet**
Polyurethane finish provides 950 hours salt spray protection.
- **Plastic Coated Coil Guard and Mesh Hail Guard**
Will never rust and protects the coil from being damaged by balls, lawnmowers, hail etc.
- **Externally Accessible Service Ports**
Quick access to refrigerant system without disrupting operation.
- **Access to Controls and Major Components**
Easy in and out service.
- **Corrosion-Resistant Drain Pan**
Quickly drains away evaporator condensate.
- **Service Access Panels**
Allows easy access to all major components and the compressor. Designed to make servicing easier for the Contractor.
- **Easy to Install**
Electric heat strip provides up to 20 KW of heat output.
- **Proven, Industry Standard Components**
Easier service and availability.
- **Quiet Operation and Low Vibration**
20" fan blade combined with custom venturi condenser fan.
- **Accessories**
Roof curbs, and more.
- **Time / Temperature Defrost** – A reliable, industry standard control offers various time settings to meet any type climate.
- **10 Year Residential Parts Warranty**
The best warranty in the business.

IDENTIFICATION CODE



SPECIFICATIONS

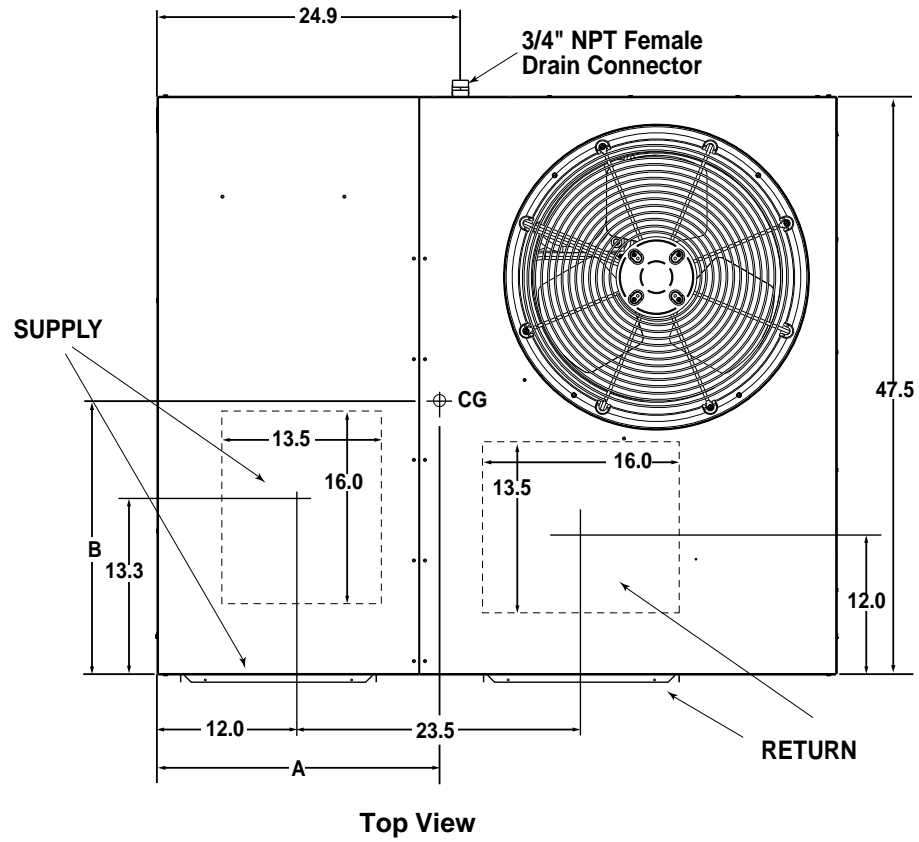
Model Number	Q4SA-				
	030K	036K	042K	048K	060K
Performance					
Capacity - Heating BTUH	29,000	33,000	42,000	45,000	59,000
Efficiency - HSPF	6.80	6.80	6.80	6.80	6.80
Capacity -Cooling BTUH	30,000	36,000	42,000	47,000	58,000
Efficiency - SEER	10.00	10.00	10.00	10.00	10.00
EER (Btuh/watt)	10.00	10.00	10.00	10.00	9.30
Electrical Rating - 60 Hz					
Phase	1	1	1	1	1
Operating Voltage Range	187 - 253	187 - 253	187 - 253	187 - 253	187 - 253
Compressor Data					
Volts	208 / 230	208 / 230	208 / 230	208 / 230	208 / 230
Rated Load Amps	15.3	14.8	24.3	21.8	27
Lock Rotor Amps	75	96	131	131	144
Indoor Blower					
Type / No. of Speeds	DD / 3	DD / 3	DD / 3	DD / 3	DD / 3
Motor - HP / RPM	1/4-1100	1/4-1100	1/2-1100	1/2 - 1100	1/2 - 1100
Motor - Amps	1.3	1.3	3.1	3.1	3.1
Outdoor Fan					
Motor - HP / RPM	1/4 - 1100	1/4 - 1100	1/4 - 1100	1/4 - 1100	1/3 - 1100
Motor - Amps	1.2	1.2	1.2	1.2	1.5
Fan Diameter / CFM	20 / 3800	20 / 3800	20 / 3800	20 / 3800	20 / 4000
Refrigerant Charge - Oz.					
	85	61	104	142	176
Net Weight lbs.					
	420	420	510	510	540
Shipping Weight lbs.					
	430	430	520	520	550

BLOWER PERFORMANCE

Model Number Q4SA-	Speed	External Static Pressure Drop - inches water column							
		0.1	0.2	0.3	0.4	0.5	0.6	0.7	0.8
030	High	1600	1510	1410	1310	1200	1070	930	760
	Medium	1410	1330	1250	1150	1050	940	820	670
	Low	1130	1070	1000	930	850	760	650	530
036	High	1600	1510	1410	1310	1200	1070	930	760
	Medium	1410	1330	1250	1150	1050	940	820	670
	Low	1130	1070	1000	930	850	760	650	530
042	High	2200	2140	2070	2000	1930	1850	1770	1690
	Medium	1940	1890	1830	1760	1700	1630	1560	1490
	Low	1560	1510	1460	1410	1360	1310	1250	1200
048	High	2200	2140	2070	2000	1930	1850	1770	1690
	Medium	1940	1890	1830	1760	1700	1630	1560	1490
	Low	1560	1510	1460	1410	1360	1310	1250	1200
060	High	2200	2140	2070	2000	1930	1850	1770	1690
	Medium	1940	1890	1830	1760	1700	1630	1560	1490
	Low	1560	1510	1460	1410	1360	1310	1250	1200

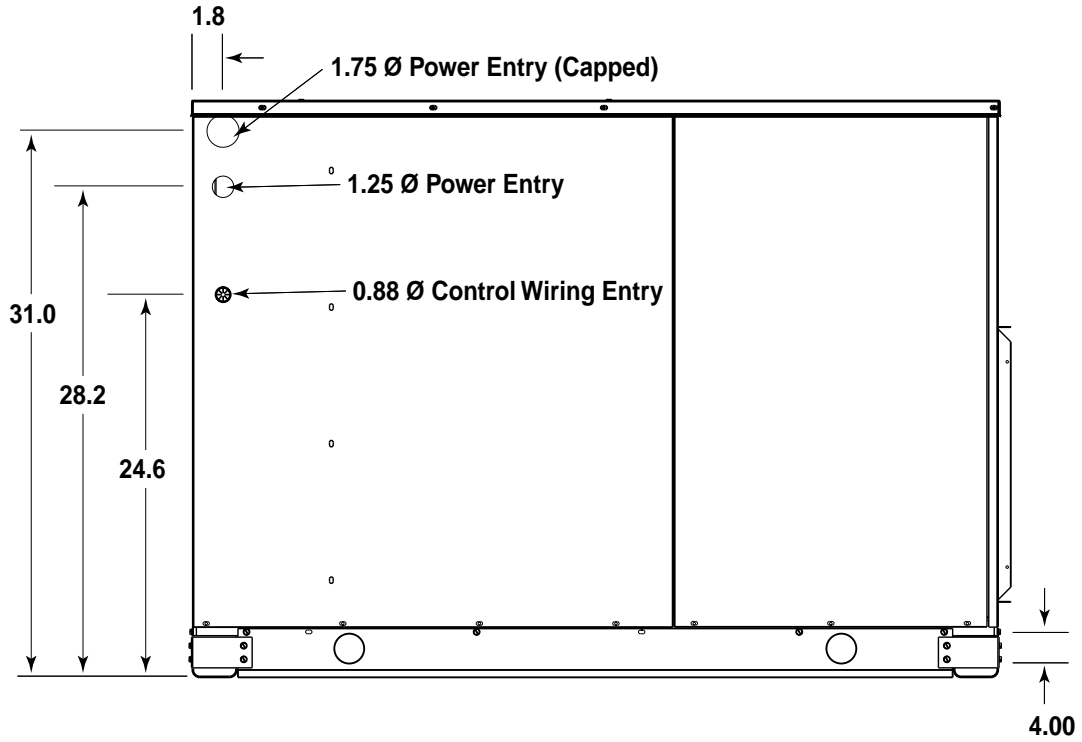
Note: Airflow performance is for wet coil.

DIMENSIONS

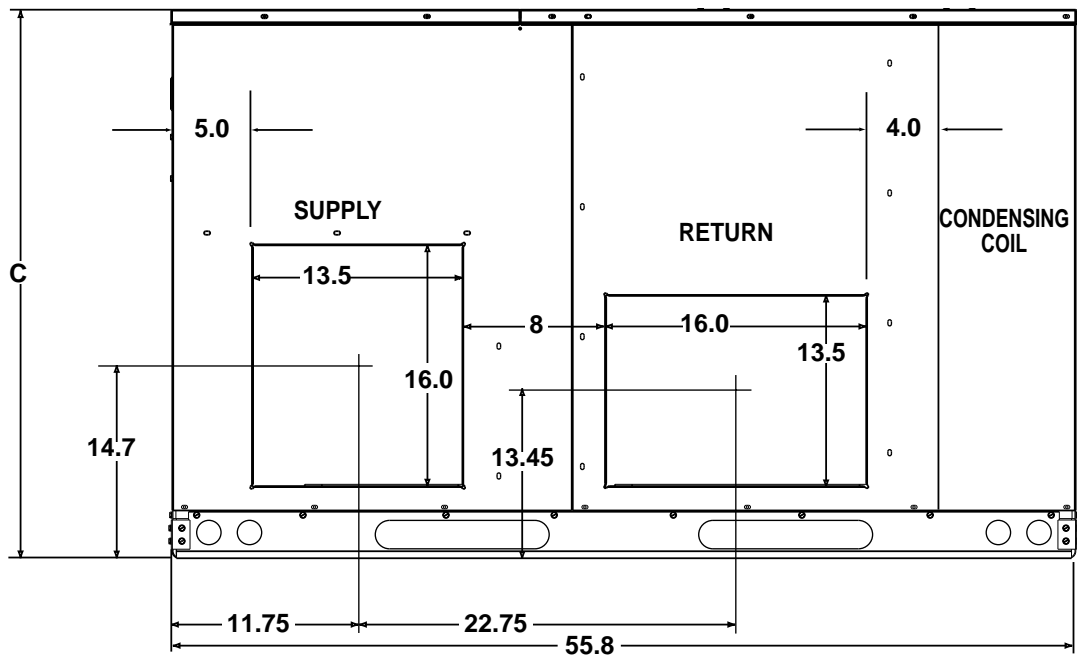


Model Number Q4SA-	Unit Weight	Center of Gravity		Height (in inches)	
		A	B	C	
				with base rails	without base rails
030	420	28.0	26.0	36.0	31.3
036	420	28.0	26.0	36.0	31.3
042	510	28.0	26.0	36.0	31.3
048	510	28.0	26.0	36.0	31.3
060	540	29.5	26.5	40.0	35.3

DIMENSIONS continued



Side View



Back (Duct) View

ELECTRICAL DATA

Model Number	Heater Installed Norm. KW	Single Supply Circuit Option						Multiple Supply Circuit Option												
		Circuit A (Compressor & Fan)			Circuit B (Blower & Heater)			Circuit A (Compressor & Fan)				Circuit B (Blower & Heater)				Circuit C (Heater Only)				
		Minimum Circuit Amp.	Rec Wire Gauge	Rec Wire Gauge	Rec Wire Gauge	Rec Wire Gauge	Rec Wire Gauge	Minimum Circuit Amp.	Rec Wire Gauge	Rec Wire Gauge	Rec Wire Gauge	Rec Wire Gauge	Minimum Circuit Amp.	Rec Wire Gauge	Rec Wire Gauge	Rec Wire Gauge	Minimum Circuit Amp.	Rec Wire Gauge	Rec Wire Gauge	Rec Wire Gauge
Q4SA-030K	0	21.6	10	10	10	35	-	-	-	-	-	-	-	-	-	-	-	-	-	-
	5	46.6	6	8	8	50	20.3	10	10	10	35	40.9	6	8	8	45	-	-	-	-
	8	61.2	4	6	6	70	20.3	10	10	10	35	51.3	6	8	8	60	-	-	-	-
	10	71.6	3	4	6	80	45.3	6	8	8	50	51.3	6	8	8	60	-	-	-	-
	15	96.6	1	3	3	100	-	-	-	-	-	-	-	-	-	-	-	-	-	-
Q4SA-036K	0	21.0	10	10	10	35	-	-	-	-	-	-	-	-	-	-	-	-	-	-
	5	46.0	6	8	8	50	-	-	-	-	-	-	-	-	-	-	-	-	-	-
	8	60.6	4	6	6	70	19.7	12	12	12	30	40.9	6	8	8	45	-	-	-	-
	10	71.0	3	4	6	80	19.7	12	12	12	30	51.3	6	8	8	60	-	-	-	-
	15	96.0	1	3	3	100	44.7	6	8	8	50	51.3	6	6	6	60	-	-	-	-
Q4SA-042K	0	34.7	8	8	8	50	-	-	-	-	-	-	-	-	-	-	-	-	-	-
	5	59.7	4	6	6	70	31.6	8	8	8	50	28.1	10	10	10	30	-	-	-	-
	8	74.3	3	4	6	90	31.6	8	8	8	50	42.7	6	8	8	45	-	-	-	-
	10	84.7	3	4	4	90	31.6	8	8	8	50	53.1	6	6	6	60	-	-	-	-
	15	109.7	1	2	3	110	31.6	8	8	8	50	53.1	6	8	8	60	25.0	10	10	10
Q4SA-048K	0	31.6	8	8	8	50	-	-	-	-	-	-	-	-	-	-	-	-	-	-
	5	56.6	4	6	6	70	28.5	10	10	10	50	28.1	10	10	10	30	-	-	-	-
	8	71.1	3	4	6	80	28.5	10	10	10	50	42.7	6	8	8	45	-	-	-	-
	10	81.6	3	4	4	90	28.5	10	10	10	50	53.1	6	6	6	60	-	-	-	-
	15	106.6	1	2	3	110	28.5	10	10	10	50	53.1	6	8	8	60	25.0	10	10	10
Q4SA-060K	0	131.6	00	0	1	150	-	-	-	-	-	-	-	-	-	-	-	-	-	-
	5	38.4	8	8	8	60	-	-	-	-	-	-	-	-	-	-	-	-	-	-
	8	63.4	4	6	6	80	35.3	8	8	8	60	28.1	10	10	10	30	-	-	-	-
	10	77.9	3	4	4	90	35.3	8	8	8	60	42.7	6	8	8	45	-	-	-	-
	15	113.4	0	2	2	125	35.3	8	8	8	60	53.1	6	6	6	60	25	10	10	10
20	138.4	00	0	1	150	35.3	8	8	8	60	53.1	6	8	8	60	50.0	6	6	6	60

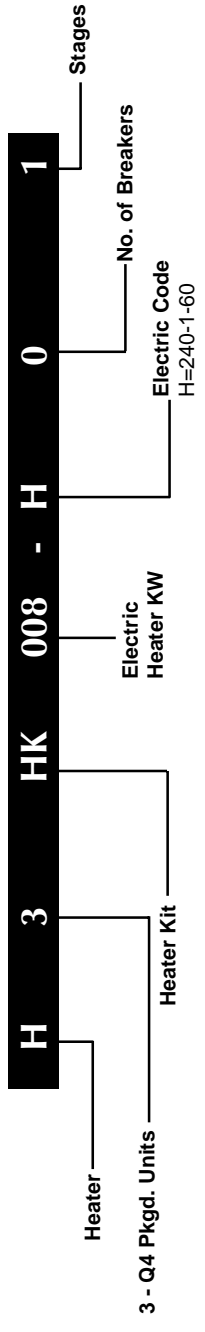
*When overcurrent rating exceeds 60, internal circuit breakers must be installed in addition to branch circuit protection at distribution panel.

HEATER APPLICATION MATRIX

Model Number	H3HK-005H-01 917166	H3HK-008H-01 917167	H3HK-010H-01 917168	H3HK-015H-01 917169	H3HK-020H-01 917170	H3HK-015H-21 917172	H3HK-020H-21 917173
Q4SA-030K	X	X	X(2)	X(2)	NA	X	NA
Q4SA-036K	X	X	X(2)	X(2)	NA	X	NA
Q4SA-042K	X(2)	X(2)	X(2)	X(3)	X(3)	X(1)	X(1)
Q4SA-048K	X(2)	X(2)	X(2)	X(3)	X(3)	X(1)	X(1)
Q4SA-060K	X(2)	X(2)	X(2)	X(3)	X(3)	X(1)	X(1)

NA = Not Applicable.
() = Number of internal circuit breaker kits required.

IDENTIFICATION CODE



ACCESSORIES

Description	Part Number
Roof Curb (8")	547830
Roof Curb (14")	547831
Roof Curb (18")	547850
Roof Curb (24")	547851
Filter Rack, All Downflow Applications (not required with economizer)	547885
Filter Kit (not required with economizer) for Horizontal Applications Q4SA 030, 036, 042	547887
Filter Kit (not required with economizer) for Horizontal Applications Q4SA 048 - 060	547888
Universal Hard Start Kit	912933
Low Pressure Switch Kit	913551
High Pressure Switch Kit	913550
Low Ambient Kit	913549A
P-Trap Kit	913810
Outdoor Thermostat Kit	913852



We Encourage
Professionalism



Through Technician
Certification by NATE



Before purchasing this appliance, read important energy cost and efficiency information available from your retailer. Specifications and illustrations subject to change without notice and without incurring obligations.

Maytag is a registered trademark of the Maytag Corporation and is used under license to NORDYNE Inc.

304B-0303 (Replaces 304B-0802)

Printed in U.S.A. (03/03)