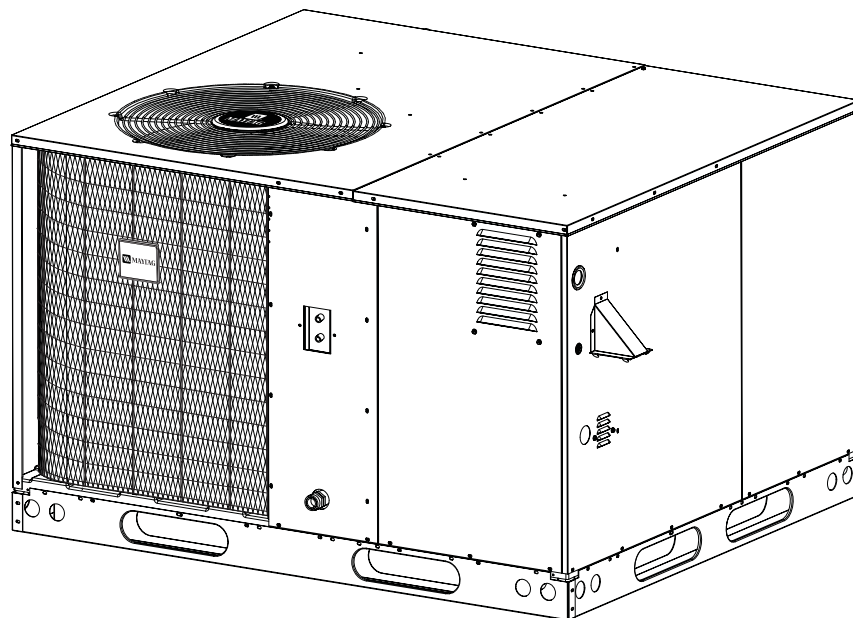




TECHNICAL SPECIFICATIONS

Model PPG1GE Series



M1010 Product Line

Single Packaged Gas/Electric Units

Up to 14 SEER — 2 - 5 Ton Units

2-Stage Heat/Cool with Variable Speed Blower

- **10 YEAR WARRANTY**
- **WORRY-FREE PERFORMANCE**
- **5 YEAR DEPENDABILITY PROMISE**

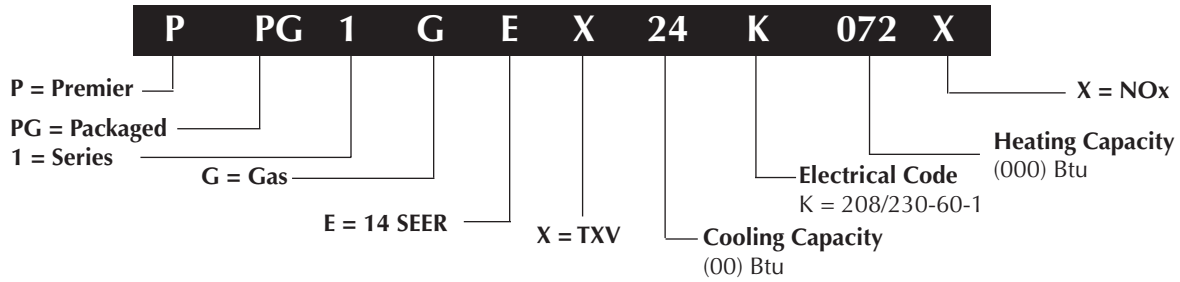


The PPG1GE Series single packaged gas/electrics are high efficiency self contained cooling units that can be installed on the roof or on a slab. The convertible unit design makes installations simple in all applications. Units are ETL and ETLc listed.

Features and Benefits

- **Copeland Ultra-Tech Compressor**
Two stage heat/cool with comfort alert II Communications/Diagnostics package.
- **Compact Footprint/Low Profile**
Easy to handle and transport.
- **Heavy-Gauge, Full Perimeter Base Rails**
Facilitates forklift handling and curb mounting.
- **Hi/low Pressure Switches**
Added compressor Protection.
- **Convertible Air Delivery**
Horizontal or downflow to accommodate rooftop or horizontal application.
- **R-410A Refrigerant**
Environmentally friendly.
- **Galvanized Steel Cabinet**
Unit is trimmed in a silicone-protected polyester finish with a 950 hour salt spray finish that resists corrosion 50% better than comparable units.
- **Plastic Coated Coil Guard and Mesh Hail Guard**
Will never rust and protects the coil from being damaged by balls, lawnmowers, hail etc.
- **Externally Accessible Service Ports**
Quick access to refrigerant system without disrupting operation.
- **Access to Controls and Major Components**
Easy in and out service.
- **Corrosion-Resistant Drain Pan**
Quickly drains away evaporator condensate.
- **Smaller Panels, Great Fit and Finish, Total Seal** — Well-designed, quality construction. Drip edge on top panels whisks away rainwater. Embossed bottom pan keeps blower component compartment dry.
- **Thermal Expansion Valve**
Factory installed externally equalized thermal expansion valve provides precise refrigerant control under varying load conditions.
- **Proven, Industry Standard Components**
Easier service and availability.
- **ECM Variable Speed Motor**
Advanced technology allows the motor to automatically adjust to different static loads. The variable speed motor allows for extra quiet operation and improved air quality.
- **Quiet Operation and Low Vibration**
20" fan blade combined with custom venturi condenser fan.
- **Accessories**
Roof curbs and more.
- **SmartStart™ Control Board** — Provides extended life to ignitors using hot surface ignition technology. Programmed to learn the heat-up characteristics of the ignitor, then adapt the ignition time to the characteristics of the furnace so the ignitor is energized appropriately.
- **Quiet Plus™ Compressor Sound Blanket** — Engineered to significantly reduce unwanted noise.
- **10 Year Residential Parts and Labor Warranty and 5 Year Dependability Promise**
The best warranty in the business.

IDENTIFICATION CODE

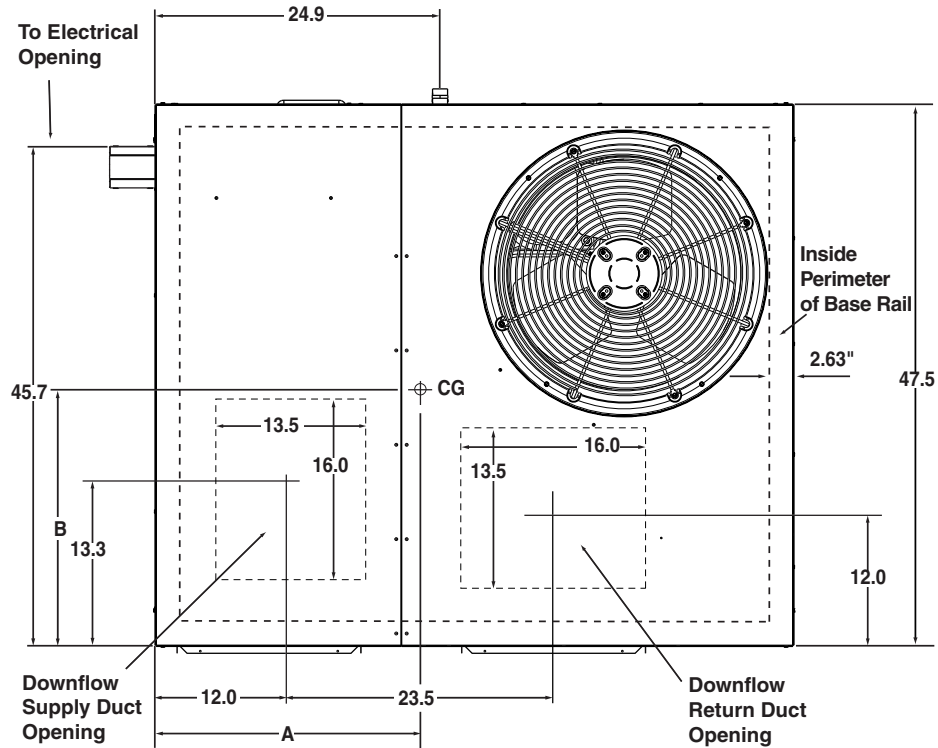


SPECIFICATIONS

Single Phase

| MODEL | PPG1GE-X24K072X | PPG1GE-X36K100X | PPG1GE-X48K120X | PPG1GE-X60K120X |
|----------------------------------|-----------------|------------------|------------------|------------------|
| Performance | | | | |
| Heating Input High/Low Btuh | 72,000 / 48,000 | 100,000 / 60,000 | 120,000 / 72,000 | 120,000 / 72,000 |
| Heating Output High/Low Btuh | 57,600 / 38,400 | 80,000 / 48,000 | 96,000 / 57,600 | 96,000 / 57,600 |
| Capacity-Cooling Btuh | 23,800 | 34,600 | 45,500 | 55,500 |
| AFUE | 80 | 80 | 80 | 80 |
| Efficiency -- SEER | 14.00 | 14.00 | 14.00 | 13.50 |
| Efficiency -- EER | 11.0 | 11.0 | 11.0 | 10.0 |
| Electrical Rating - 60 Hz | | | | |
| Phase | 1 | 1 | 1 | 1 |
| Operating Voltage Range | 187 - 253 | 187 - 253 | 187 - 253 | 187 - 253 |
| Minimum Circuit Ampacity | 21.13 | 33.13 | 41.68 | 44.18 |
| Max. Overcurrent Protection | 32.25 | 51.85 | 65.4 | 69.9 |
| Compressor Data | | | | |
| Volts | 208 / 230 | 208 / 230 | 208 / 230 | 208 / 230 |
| Rated Load Amps | 11.4 | 19 | 24 | 26 |
| Lock Rotor Amps | 52 | 82 | 96 | 118 |
| Indoor Blower | | | | |
| Wheel Diameter | 10 x 10 | 10 x 10 | 11 x 10 | 11 x 10 |
| Motor Type | Variable Speed | Variable Speed | Variable Speed | Variable Speed |
| Motor HP | 1/2 | 3/4 | 1 | 1 |
| Motor Amps | 4.3 | 6.8 | 9.1 | 9.1 |
| Outdoor Fan | | | | |
| Motor HP | 1/4 | 1/4 | 1/4 | 1/3 |
| Motor Amps | 1.2 | 1.2 | 1.2 | 1.5 |
| Fan Diameter/CFM | 20" / 3500 | 20" / 3500 | 20" / 3500 | 20" / 3500 |
| Refrigerant Charge (oz) | 120 | 115 | 208 | 216 |

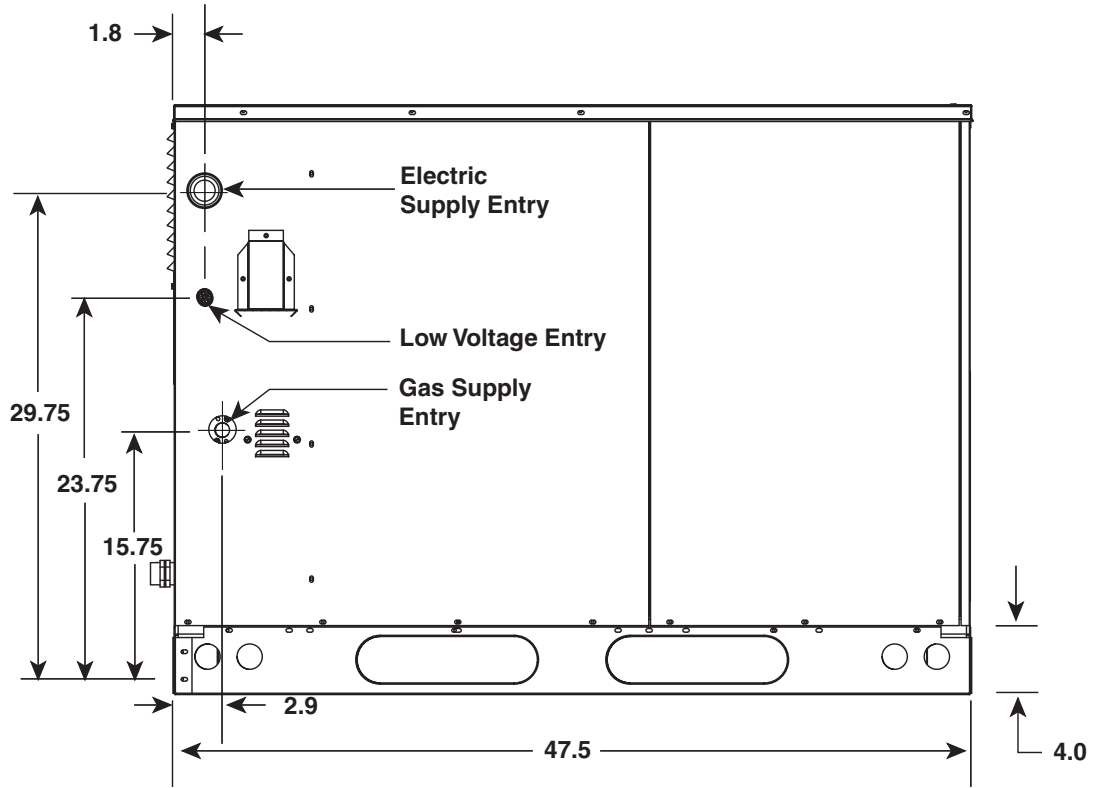
DIMENSIONS



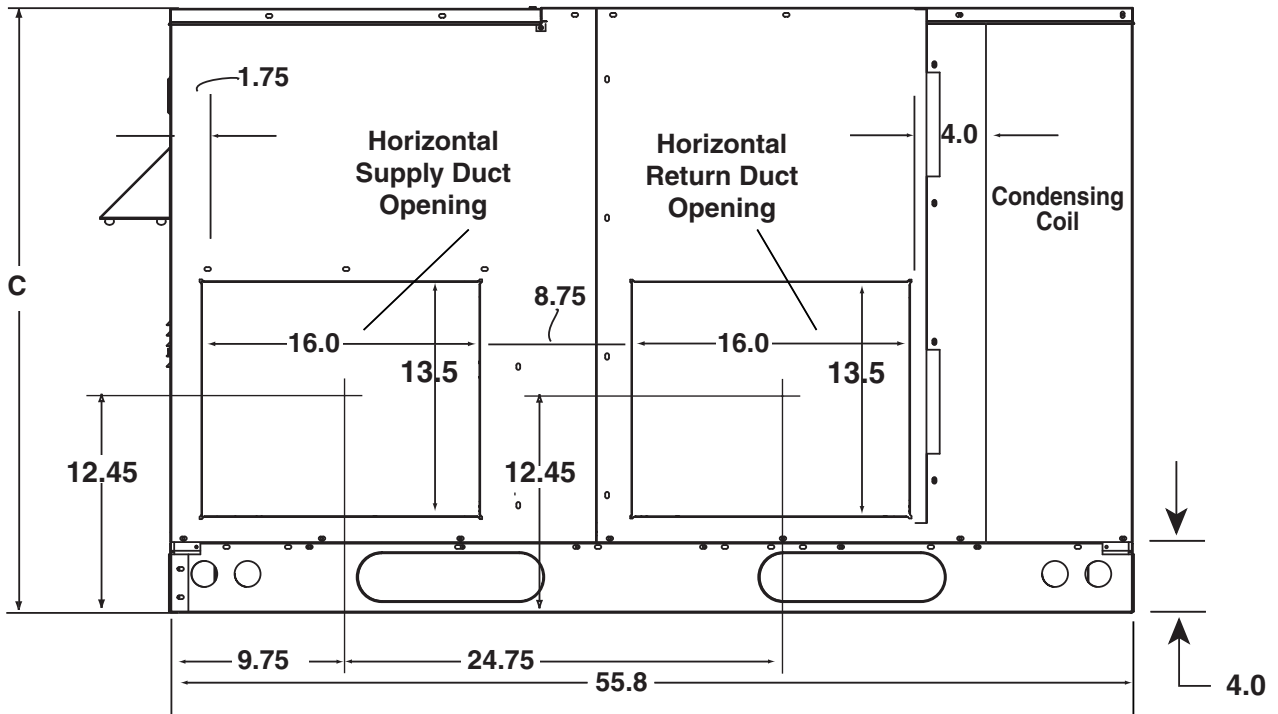
Top View

| Model Number 14 SEER | Unit Weight | Shipping Weight | Center of Gravity | | Height (in inches) | |
|-------------------------|-------------|-----------------|-------------------|------|--------------------|--------------------|
| | | | A | B | C | |
| | | | | | with base rails | without base rails |
| X24K072X | 460 | 470 | 26.0 | 27.0 | 39.0 | 35.3 |
| X36K100X | 480 | 490 | 26.0 | 27.0 | 39.0 | 35.3 |
| X48K120X | 530 | 540 | 27.0 | 26.5 | 43.0 | 39.3 |
| X60K120X | 560 | 570 | 27.0 | 26.5 | 43.0 | 39.3 |

DIMENSIONS continued



Side View



Back View

AIRFLOW DATA

| Model Number PPG1GE | Heating Input (Btuh) | Heating Output (Btuh) | Heat Switch Setting | CFM | Heating Rise Range (°F) | Cooling Output (Btuh) | Blower Size | Motor HP |
|------------------------|-------------------------|--------------------------|------------------------|--------------|----------------------------|--------------------------|-------------|----------|
| X24K072X | 72,000 | 57,600 | 1,1 0,1 | 1200 1000 | 35-65 | 23,800 | 10 X 10 | 1/2 |
| | 48,000 | 38,400 | 1,1 0,1 | 990 750 | | | | |
| X36K100X | 100,000 | 80,000 | 1,0 0,0 | 1585 1500 | 40-70 | 34,600 | 10 X 10 | 3/4 |
| | 60,000 | 48,000 | 1,0 0,0 | 1100 900 | | | | |
| X48K120X | 120,000 | 96,000 | 1,1 0,1 | 2005 1805 | 40-70 | 45,500 | 11 X 10 | 1 |
| | 72,000 | 57,600 | 1,1 0,1 | 1200 1100 | | | | |
| X60K120X | 120,000 | 96,000 | 1,1 0,1 | 2005 1805 | 40-70 | 55,500 | 11 X 10 | 1 |
| | 72,000 | 57,600 | 1,1 0,1 | 1200 1100 | | | | |

NOTE: CFM and Rise are independent of ESP in a variable speed blower.

Cooling Airflow Settings

| SWITCH NUMBER | | | | RECOMMENDED A/C AIRFLOW RATE (CFM) | |
|---------------|---|---|---|---------------------------------------|------|
| 1 | 2 | 3 | 4 | 2 - 3 TON | |
| 0 | 0 | 0 | 1 | 2 T O N | 720 |
| 0 | 0 | 0 | 0 | | 800 |
| 1 | 0 | 0 | 1 | | 810 |
| 0 | 0 | 1 | 0 | | 880 |
| 1 | 0 | 0 | 0 | | 900 |
| 0 | 1 | 0 | 1 | | 900 |
| 1 | 0 | 1 | 0 | | 990 |
| 0 | 1 | 0 | 0 | | 1000 |
| 1 | 1 | 0 | 1 | | 1080 |
| 0 | 1 | 1 | 0 | | 1100 |
| 1 | 1 | 0 | 0 | 3 T O N | 1200 |
| 1 | 1 | 1 | 0 | | 1320 |

| SWITCH NUMBER | | | | RECOMMENDED A/C AIRFLOW RATE (CFM) | | |
|---------------|---|---|---|---------------------------------------|------------------|------|
| 1 | 2 | 3 | 4 | 4 - 5 TON | | |
| 0 | 0 | 0 | 1 | 4 T O N | 1440 | |
| 1 | 0 | 0 | 1 | | 1530 | |
| 0 | 0 | 0 | 0 | | 1600 | |
| 0 | 1 | 0 | 1 | | 1620 | |
| 1 | 0 | 0 | 0 | | 5 T O N | 1700 |
| 1 | 1 | 0 | 1 | | | 1710 |
| 0 | 0 | 1 | 0 | | 1760 | |
| 0 | 1 | 0 | 0 | | 1800 | |
| 1 | 0 | 1 | 0 | | 1870 | |
| 1 | 1 | 0 | 0 | | 1900 | |
| 0 | 1 | 1 | 0 | 1980 | | |
| 1 | 1 | 1 | 0 | 2090 | | |

NOTE: 0 = OFF 1 = ON

Heating Airflow Settings

| Nominal Airflow Rates (CFM) and Temperature Rises (°F) | | | | | | | | | | | | | | |
|--|---|---|----------------|-----------|-----------------|-----------|----------------|-----------|-----------------|-----------|----------------|-----------|-----------------|-----------|
| Switches | | | PPG1GE (072X) | | | | PPG1GE (100X) | | | | PPG1GE (120X) | | | |
| | | | Low Fire Input | | High Fire Input | | Low Fire Input | | High Fire Input | | Low Fire Input | | High Fire Input | |
| 5 | 6 | 7 | 48,000 | | 72,000 | | 60,000 | | 100,000 | | 72,000 | | 120,000 | |
| 0 | 0 | # | N/A | N/A | N/A | N/A | 900 | 51 | 1500 | 51 | 900 | 61 | 1500 | 61 |
| 1 | 0 | # | N/A | N/A | N/A | N/A | 1100 | 42 | 1585 | 48 | 1100 | 50 | 1585 | 58 |
| 0 | 1 | # | 750 | 49 | 1000 | 55 | 1100 | 42 | 1805 | 42 | 1100 | 50 | 1805 | 51 |
| 1 | 1 | # | 990 | 37 | 1200 | 46 | 1200 | 38 | 2005 | 38 | 1200 | 46 | 2005 | 46 |

NOTE: 0 = OFF 1 = ON

Switch is not used — Can be 0 or 1

1. Recommended temperature rises are highlighted in **bold**.

2. Temperature rises in the table are approximate. Actual temperature rises may vary.

ACCESSORIES

| Description | Part Number |
|--|-------------|
| Roof Curb (8") | 547830 |
| Roof Curb (14") | 547831 |
| Roof Curb (18") | 547850 |
| Roof Curb (24") | 547851 |
| Filter Rack, All Downflow Applications (not required with economizer) | 547885 |
| Filter Kit (not required with economizer) for Horizontal Applications PPG1GEX24 - X36 | 547888 |
| Filter Kit (not required with economizer) for Horizontal Applications PPG1GEX48K - X60K | 547889 |
| Universal Hard Start Kit | 912933 |
| Low Ambient Kit | 918837 |
| U.S. LP Gas Conversion Kit (0 ft to 10,000 ft above sea level) | 904090A |
| Canadian LP Gas Conversion Kit (0 to 4,500 ft above sea level) | 904091A |



*



We Encourage Professionalism



Through Technician Certification by NATE



* Energy Star 2 - 4 tons only

Before purchasing this appliance, read important energy cost and efficiency information available from your retailer. Specifications and illustrations subject to change without notice and without incurring obligations.

Maytag is a registered trademark of the Maytag Corporation and is used under license to NORDYNE Inc.

380C-0906

Printed in U.S.A. (09/06)