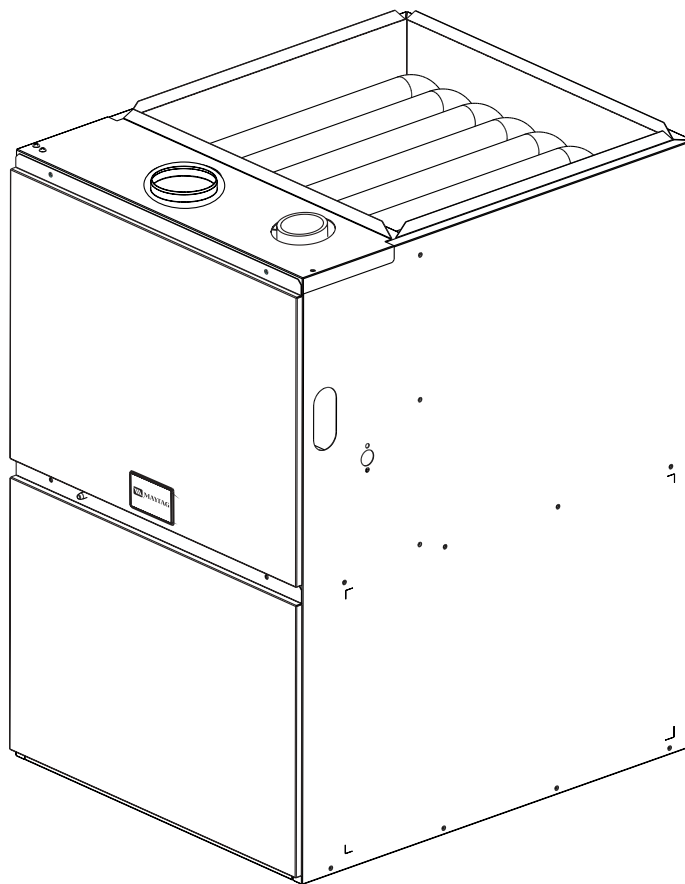




MAYTAG
TM

TECHNICAL SPECIFICATIONS

Model PGC1RC Series



M1010 Product Line

**Upflow/Horizontal Gas Furnace
92+ AFUE**

- **10 YEAR
WARRANTY**
- **WORRY-FREE
PERFORMANCE**
- **5 YEAR
DEPENDABILITY
PROMISE**



The compact high efficiency upflow/horizontal gas furnace may be installed free standing in a utility room, basement, or enclosed in an alcove or closet. The extended flush jacket provides a pleasing "appliance appearance." The product is truly designed with the contractor and the consumer in mind.

Features and Benefits

- Best warranty in the business** —
 - A lifetime warranty on the heat exchanger
 - 10 Year Limited Parts and Labor with a 5 Year Quality Pledge
- **100% fired and tested** — All units and each component (both mechanical and electrical) are tested on the manufacturing line.
- **Best packaging in the industry** — Unique design assures product will arrive to the homeowner dent free.
- **Clean and quiet operation** — Due to the unique design of in-shot burners, location of inducer and use of insulation.
- **Fixed 30 second blower delay** at burner start-up assures a warm duct temperature at furnace start-up. Adjustable blower off settings (60, 90, 120 and 180 seconds).
- **Fixed 30-second post purge** increases life of heat exchanger.
- **Dependable, hot surface ignitor** — Innovative application of an appliance type ignitor with a 20-year history of reliability, assures no call-backs because of handling.
- **Color coded wire harness** — Designed to fit the components, all with quick-connect fittings for ease of service and replacement.
- **Approved for direct vent furnace, category IV venting system** — May be vertically or horizontally vented using either a one-pipe or two-pipe system for maximum flexibility in installation.
- **Tubular primary heat exchanger** — Heavy gauge aluminized steel heat exchanger assures a long life.
- **Stainless steel secondary heat exchanger** — Assures a long life.
- **SmartStart™ Control Board** — Provides extended life to ignitors programmed to learn the heat-up characteristics of the ignitor so the ignition timing is energized appropriately.
- **Fixed cooling cycle blower-off delay (TDR)** increases cooling performance when matched with a Maytag coil.
- **Furnace is easy to handle** — short and lightweight.
- **Fully insulated blower cabinet** for quiet operation.
- **Multi-speed direct drive blower** — Designed to give a wide range of cooling capacities. 40VA transformer included.
- **LP convertible** — Simple burner orifice and regulator spring change for ease of convertibility.
- **Diagnostic lights flash to identify limit failure, pressure switch failure, improper ground and polarization, and low flame signal** — for easy troubleshooting.
- **Two piece door design** enhances furnace appearance and uses screw fasteners for easier accessibility.
- **3 amp fuse** protection against low voltage shorts; protects transformer and control board.
- **Low voltage terminal board** for easy field wiring.
- **Factory installed drain system** for reliable performance.

Counterflow heat exchanger orientation and aluminized steel tubular design means improved efficiency and durability.

Front door screw fasteners ensure tight fit.

Aluminized steel in-shot burners, hot surface ignitor and redundant gas valve provide safe, reliable ignition and efficient combustion.

Solid state integrated control monitors the burner flame and limit circuit continuously. Blower timing has adjustable OFF settings. Proves humidifier and electronic air cleaner connections.

Induced draft blower provides quiet and reliable operation.

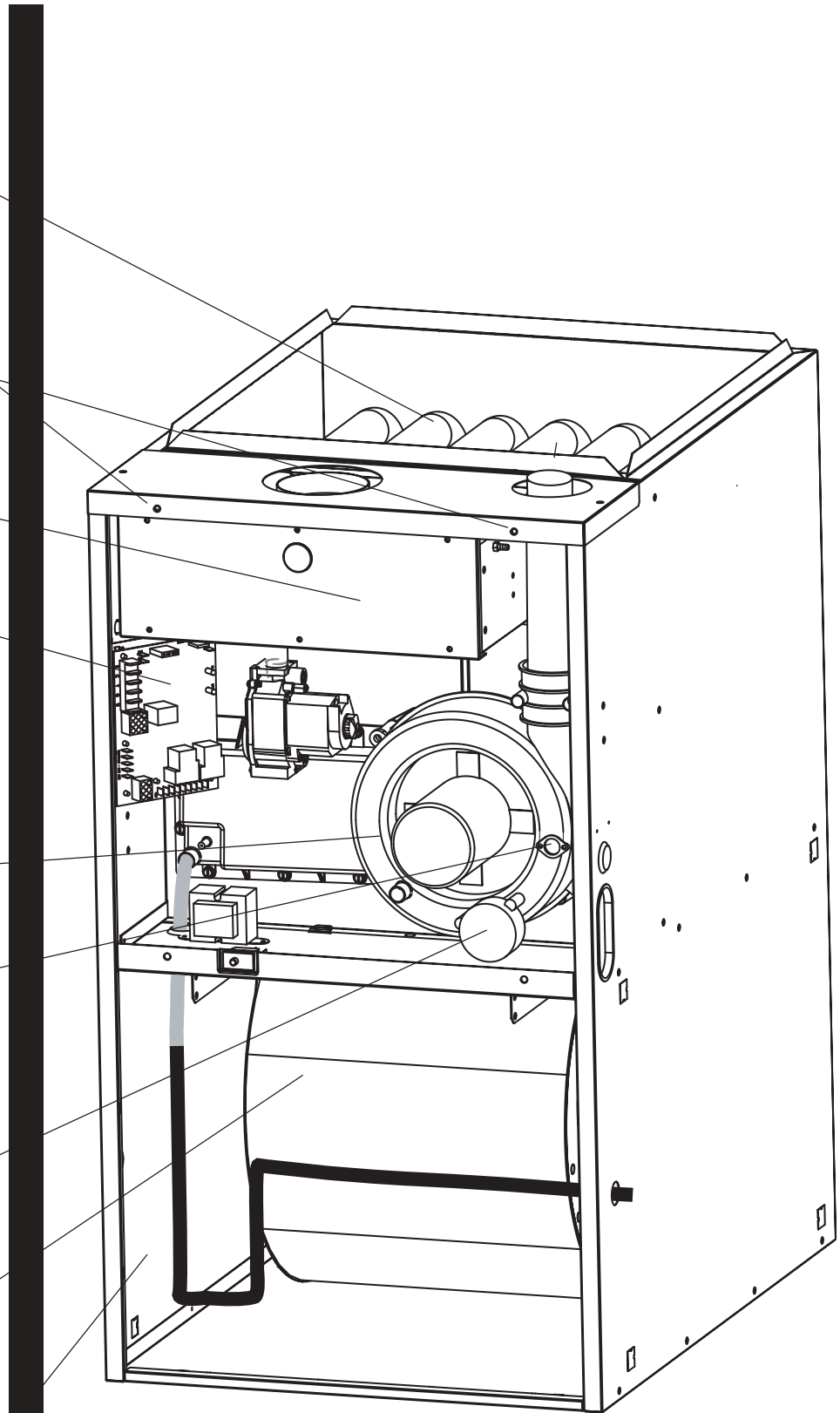
Vent switch protects against blocked flue.

Factory Installed drain for reliable performance.

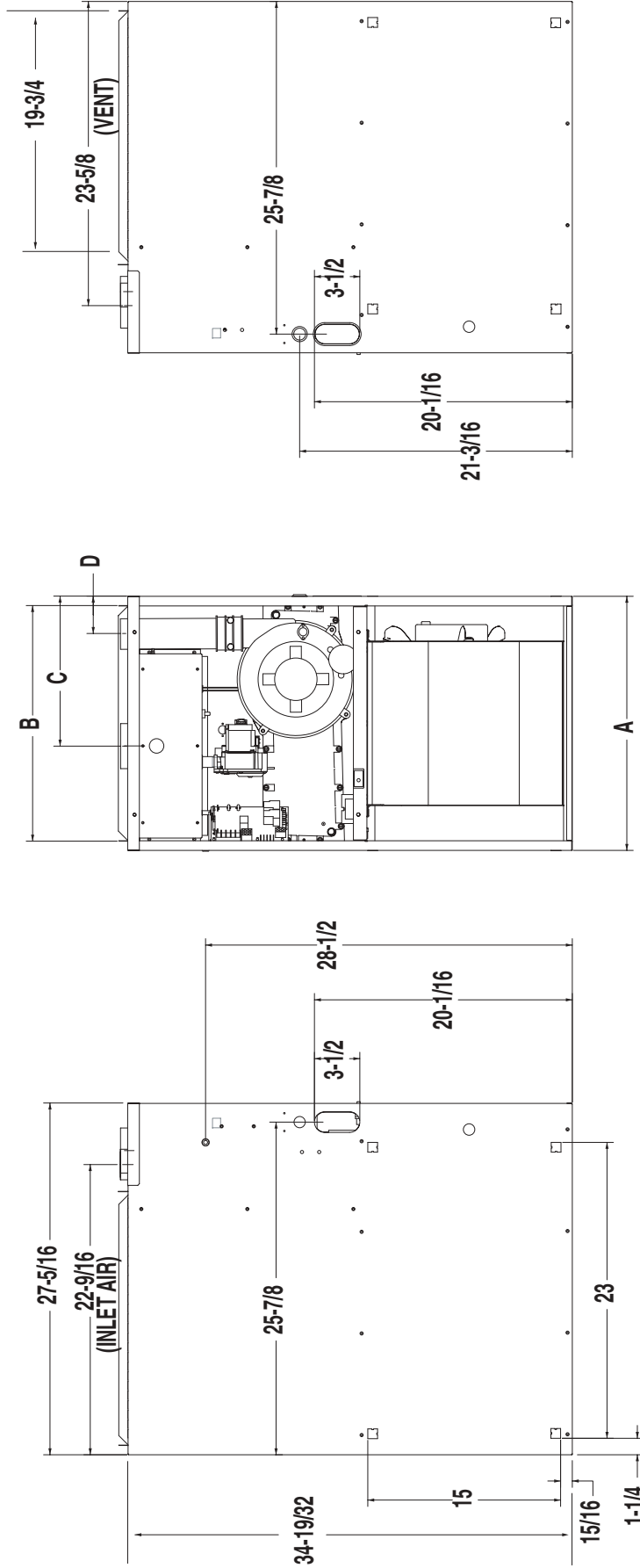
Easy Access to Pressure Switch. Assures proper operation of induced draft system.

Multi-speed PSC motor/blower provides quiet airflow, reliable operation and is installed on a slide out track.

Fully insulated blower compartment.



DIMENSIONS



STANDARD EQUIPMENT

Draft inducer; pressure switch; redundant main gas control; hot-surface ignition; timed ON/OFF blower controls (TDR); 40VA transformer for air conditioner application; limit controls; solid base plate with knock-out for easy removal; direct drive motor; all models can be converted to use L.P. (propane) gas. Factory approved kits *only* must be used and are available as an optional accessory from your distributor.

SPECIFICATIONS

| PGC1RC MODEL NUMBERS | 040D-08A | 060D-12A | 080D-12B | 080D-16B | 100D-16B | 120D-16C | 120D-20C |
|-----------------------------------|-----------|-----------|-----------|-----------|-----------|-----------|-----------|
| Input-Btuh (a) | 38,000 | 60,000 | 80,000 | 80,000 | 100,000 | 120,000 | 120,000 |
| Heating Capacity - Btuh | 35,000 | 55,000 | 73,000 | 73,000 | 92,000 | 110,000 | 110,000 |
| AFUE | 92.1 | 92.1 | 92.1 | 92.1 | 92.1 | 92.1 | 92.1 |
| Max. Htg. Ext. St. Press. In W.C. | .5 | .5 | .5 | .5 | .5 | .5 | .5 |
| Blower Wheel D x W | 10 x 6 | 10 x 6 | 10 x 8 | 10 x 10 | 10 x 10 | 10 x 10 | 11 x 10 |
| Motor H.P. -Speed -Type | 1/5-2-PSC | 1/3-3-PSC | 1/3-3-PSC | 1/2-4-PSC | 1/2-4-PSC | 1/2-4-PSC | 3/4-4-PSC |
| Motor FLA | 4.0 | 6.0 | 6.0 | 7.9 | 7.9 | 7.9 | 11.1 |
| Temperature Rise Range - °F | 30 - 60 | 35 - 65 | 35 - 65 | 35 - 65 | 40 - 70 | 50 - 80 | 50 - 80 |

Note: All models are 115V, 60 Hz. Gas Connections are 1/2" N.P.T. AFUE = Annual Fuel Utilization Efficiency

(a) Ratings to 2,000 ft. Over 2,000 ft. reduce 4% for each 1,000 ft. above sea level.

VENTING

All models are approved for vertical non direct (1 pipe) and direct (2 pipe) venting applications. See Vent Table below for specified sizes and allowable lengths.

| MODELS | SINGLE PIPE LENGTH (FT.) with 1 long radius elbow** | | DIRECT VENT, DUEL PIPE LENGTH (ft.) WITH 1 long radius elbow on each pipe** | |
|-----------|--|--------|---|--------------|
| | OUTLET | OUTLET | INLET/OUTLET | INLET/OUTLET |
| | 2" | 3" | 2" | 3" |
| PGC1RC040 | 60 | 90 | 30 | 90 |
| PGC1RC060 | 50 | 70 | 30 | 50 |
| PGC1RC080 | 30 | 90 | 15 | 90 |
| PGC1RC100 | 50 | 70 | 20 | 60 |
| PGC1RC120 | N/A | 40 | N/A | 40 |

**NOTES

1. Subtract 2.5 ft. for each additional 2" **long** radius elbow, 5 ft. for each additional 2" **short** radius elbow, 3.5 feet for each additional 3" **long** radius elbow, and 7 feet for each additional 3" **short** radius elbow.
2. Two 45 degree elbows are equivalent to one 90 degree elbow.
3. Do not include termination elbows in calculation of vent length
4. This table is applicable for elevations from sea level to 2000 ft. For higher elevations decrease vent pipe lengths by 8% per 1000 ft. of altitude.
5. Only the above pipe materials are approved for use with these condensing furnaces.

| Kit Description | 2" PVC | 3" PVC |
|--|--------|--------|
| Horizontal Venting Exterior Wall Vent Kit | 902373 | 902375 |
| Concentric Vent Kit | 903578 | |
| Neutralizer Kit (all models) | 902377 | |

BLOWER PERFORMANCE

| MODEL NUMBER PGC1RC | HEATING INPUT | MOTOR SPEED | MOTOR HP | EXTERNAL STATIC PRESSURE (INCHES OF WATER COLUMN) | | | | | | | | | | | | | | | |
|------------------------|---------------|---------------------------------------|----------|---|----------------------|------------------------------|----------------------|------------------------------|----------------------|------------------------------|----------------------|------------------------------|----------------------|------------------------------|----------------------|------------------------------|---------------------|------------------------------|---------------------|
| | | | | 0.1 | | 0.2 | | 0.3 | | 0.4 | | 0.5 | | 0.6 | | 0.7 | | 0.8 | |
| | | | | CFM | Rise | CFM | Rise | CFM | Rise | CFM | Rise | CFM | Rise | CFM | Rise | CFM | Rise | CFM | Rise |
| 040D08A | 36,000 | HIGH** LOW* | 1/5 | 945 720 | 36 47 | 920 700 | 37 49 | 885 665 | 39 51 | 850 630 | 40 54 | 815 600 | 42 57 | 785 560 | 43 60 | 730 510 | 47 - | 675 460 | 50 - |
| 060D12A | 60,000 | HIGH* MEDIUM** LOW | 1/3 | 1300 1110 715 | 40 46 - | 1260 1075 705 | 41 47 - | 1210 1050 690 | 42 49 - | 1170 1020 660 | 44 50 - | 1115 985 635 | 45 52 - | 1060 940 605 | 48 54 - | 1000 885 565 | 47 58 - | 675 820 520 | 50 62 - |
| 080D12B | 80,000 | HIGH* MEDIUM** LOW | 1/3 | 1495 1225 760 | 45 55 - | 1450 1200 735 | 47 57 - | 1390 1155 710 | 49 59 - | 1310 1100 675 | 52 62 - | 1245 1050 630 | 55 65 - | 1160 965 585 | 58 71 - | 1030 885 525 | 66 - | 930 805 450 | 71 64 - |
| 080D16B | 80,000 | HIGH* MED-HIGH MED-LOW** LOW | 1/2 | 1955 1665 1415 1200 | 35 41 48 57 | 1890 1630 1385 1185 | 36 42 50 58 | 1825 1580 1360 1165 | 37 43 50 59 | 1755 1535 1325 1140 | 39 44 51 60 | 1680 1480 1285 1095 | 41 46 53 62 | 1605 1420 1235 1045 | 42 48 55 65 | 1510 1345 1170 995 | 45 51 58 - | 1400 1250 1085 930 | 49 55 63 - |
| 100D16B | 100,000 | HIGH* MED-HIGH** MED-LOW LOW | 1/2 | 1955 1665 1415 1200 | 43 51 60 - | 1890 1630 1385 1185 | 45 52 61 - | 1825 1580 1360 1165 | 47 54 62 - | 1755 1535 1325 1140 | 49 55 64 - | 1680 1480 1285 1095 | 51 58 66 - | 1605 1420 1235 1045 | 53 60 70 - | 1510 1345 1170 995 | 56 63 - | 1400 1250 1085 930 | 61 68 - |
| 120D16C | 120,000 | HIGH* MED-HIGH** MED-LOW LOW | 1/2 | 1955 1670 1400 1190 | 52 61 - | 1900 1635 1380 1185 | 53 62 - | 1840 1580 1375 1165 | 55 64 - | 1770 1545 1340 1150 | 57 66 - | 1695 1490 1305 1120 | 60 68 - | 1620 1425 1250 1060 | 63 70 - | 1520 1360 1190 1010 | 67 - | 1420 1265 1100 950 | - - |
| 120D20C | 120,000 | HIGH* MED-HIGH MED-LOW** LOW | 3/4 | 2230 1840 1595 1365 | 45 55 64 - | 2175 1830 1570 1345 | 47 55 65 - | 2120 1810 1550 1335 | 48 56 66 - | 2070 1780 1540 1315 | 49 57 66 - | 2010 1755 1505 1300 | 51 58 68 - | 1935 1710 1455 1275 | 53 59 70 - | 1865 1665 1410 1210 | 55 61 - | 1790 1570 1370 1160 | 57 65 - |

- * Factory Set Cooling Speed
- ** Factory Set Heating Speed
- Not Recommended

Notes:

1. Airflow rates of 1800 CFM or more require two return air connections. Data is for operation with filter(s).
2. Temperature rises in the table are approximate. Actual temperature rises may vary.
3. Temperature rises and airflows for external static pressures greater than 0.5 are for reference only. These conditions are not recommended.

ACCESSORIES

| Kit | Order Number |
|--|--|
| U.S. LP Conversion Kit (0 to 10,000 ft.) | 904090 |
| Canadian LP Gas Conversion Kit (0 to 4,500 ft.) | 904091 |
| Fossil Fuel Kit | 914762 |
| Side Return Filter Kit | 541036 |
| Bottom Return Filter (20/Box) | A Cabinet 903088 B Cabinet 903089 C Cabinet 903090 |
| Internal Side Return Filter Wire | 903152 |
| Horizontal Positioned Furnace Vent Drain Kit 2" | 904079 |
| Horizontal Positioned Furnace Vent Drain Kit 3" | 904080 |
| Variable Speed Blower Kit for "B" & "C" Cabinets | 904075 |

