

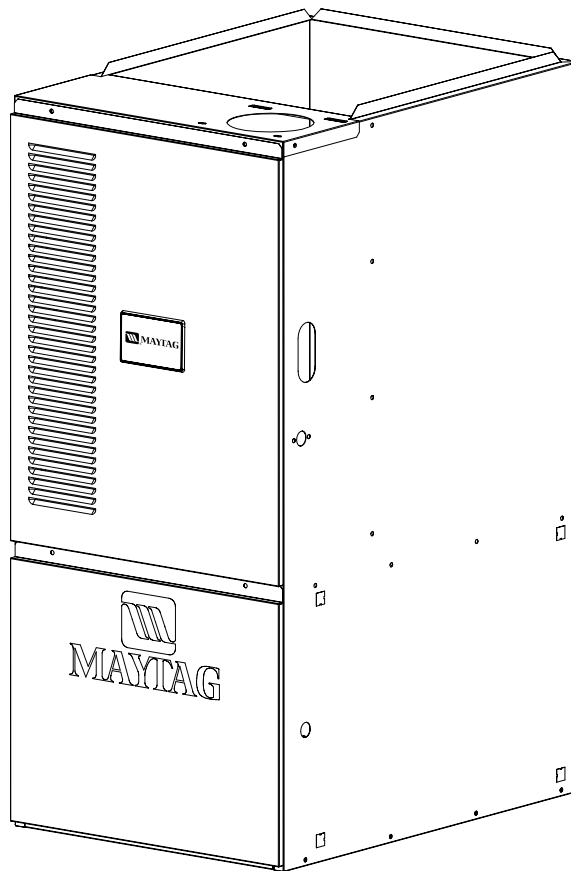


---

## TECHNICAL SPECIFICATIONS

---

*Model PGF1TA 2 Stage Series Upflow/Horizontal  
Model PGF1TK 2 Stage Series Downflow*



M1010 Product Line

**High Efficiency / 80+ AFUE Furnace**



- **10 YEAR WARRANTY**
- **WORRY-FREE PERFORMANCE**
- **5 YEAR DEPENDABILITY PROMISE**



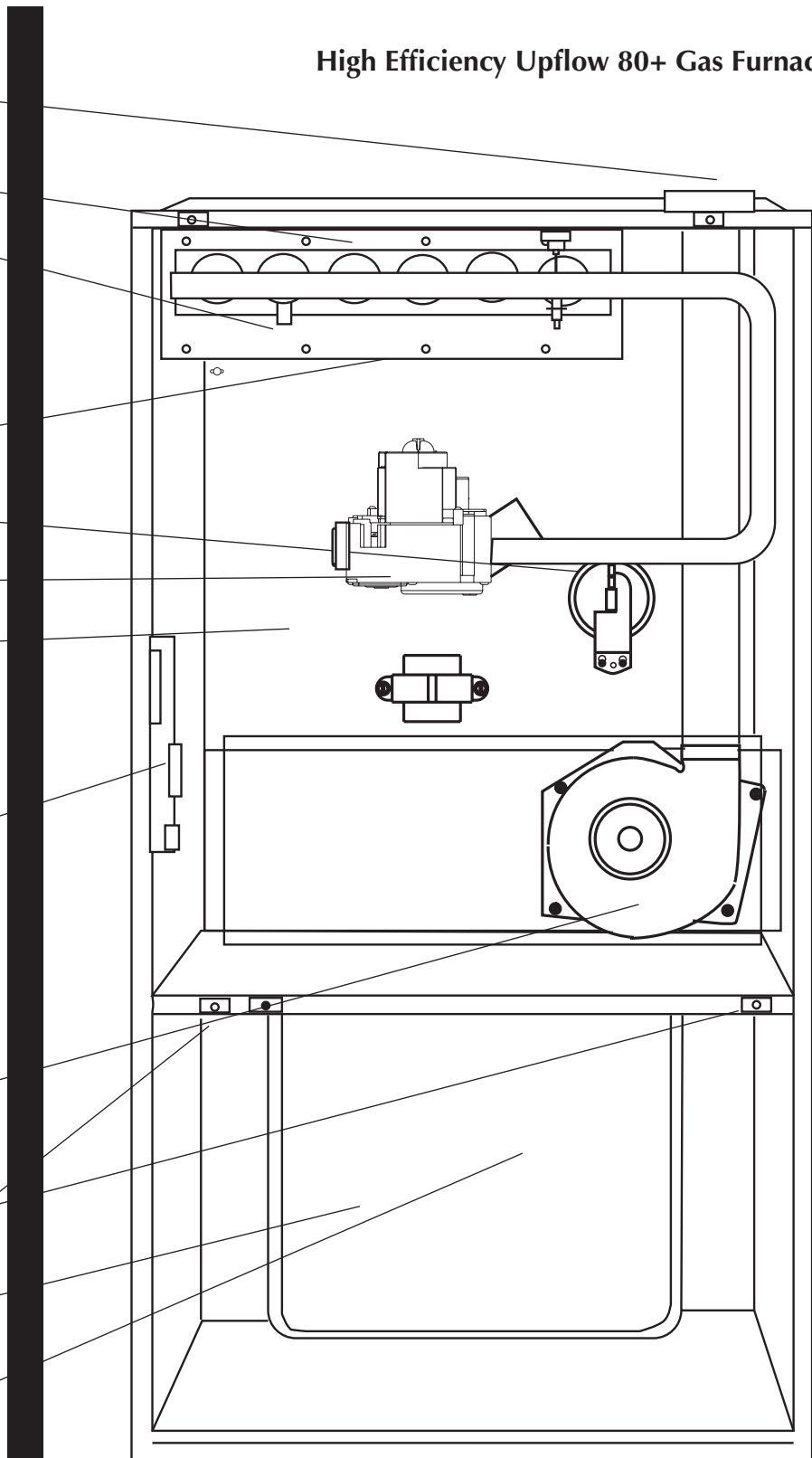
The high efficiency 2-Stage gas furnace may be installed free standing in a utility room, basement, or enclosed in an alcove or closet. The extended flush jacket provides a pleasing “appliance appearance.” Design certified by the CSA International (Canadian Standards Association). The product is truly designed with the contractor and the consumer in mind.

#### Features and Benefits

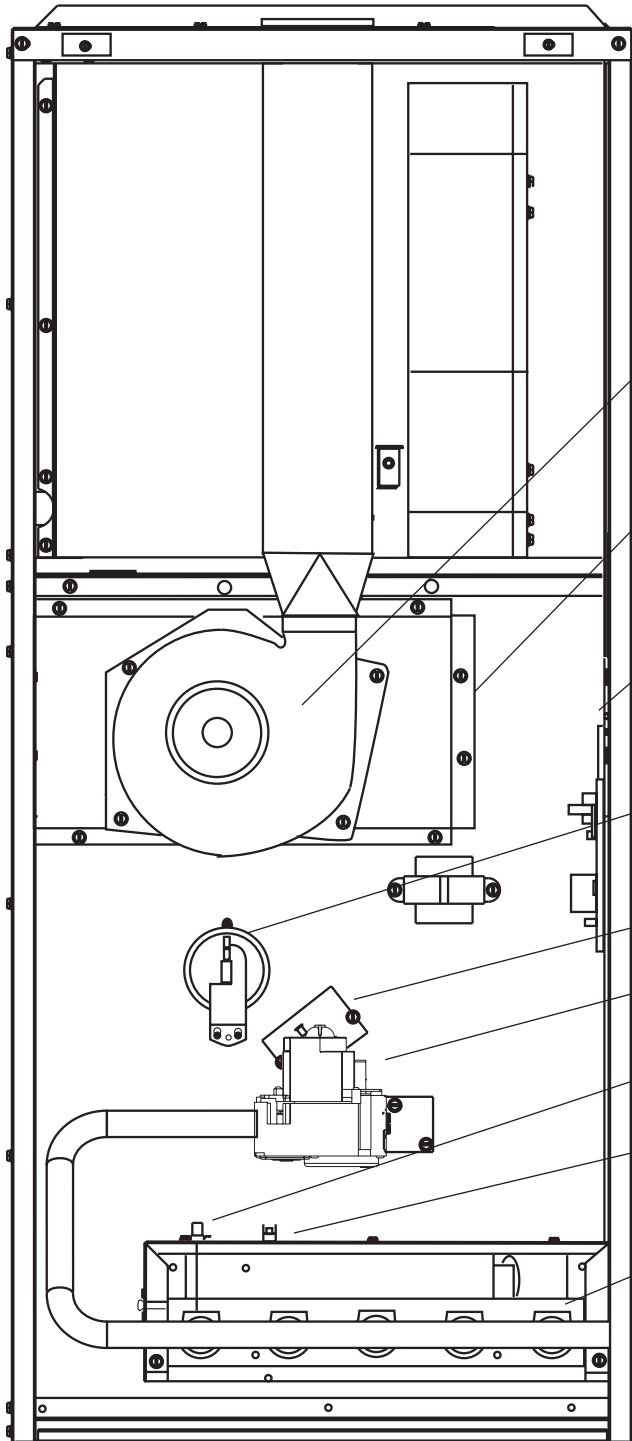
- **Best warranty in the business** —
  - 20 year warranty on the heat exchanger.
  - 10 Year Parts and Labor Warranty and 5 Year Dependability Promise.
- **100% fired and tested** — All units and each component (both mechanical and electrical) are tested on the manufacturing line.
- **Best packaging in the industry** — Unique design assures product will arrive to the homeowner dent free.
- **Clean and quiet operation** — Due to the unique design of in-shot burners, location of inducer and use of insulation.
- **Fixed 30 second blower delay** at burner start-up assures a warm duct temperature at furnace start-up. Adjustable blower off settings (60, 120, 160 and 180 seconds).
- **Fixed 30-second post purge** increases life of heat exchanger.
- **SmartStart™ Control Board** — Provides extended life to ignitors in furnaces using hot surface ignition technology. Programmed to learn the heat-up characteristics of the ignitor, then adapt the ignition time to the characteristics of the furnace so the ignitor is energized appropriately.
- **Dependable, hot surface igniter** — Innovative application of an appliance type ignitor with a 20-year history of reliability, assures no call-backs because of handling.
- **Color coded wire harness** — Designed to fit the components, all with quick-connect fittings for ease of service and replacement.
- **Tubular primary heat exchanger** — Heavy gauge aluminized steel heat exchanger assures a long life.
- **Stainless steel** secondary heat exchanger assures a long life.
- **Fixed cooling cycle blower-off delay (TDR)** increases cooling performance when matched with a Maytag coil.
- **Approved for categories I and III venting systems** – May be common, dedicated, or horizontally vented for maximum flexibility in installation.
- **Fully insulated blower cabinet** for quiet operation.
- **LP convertible** — Simple burner orifice and regulator spring change for ease of convertibility.
- **Factory installed drain system** — for reliable performance.
- **Diagnostic light flashes identify limit failure, pressure switch failure and improper ground and polarization** — for easy troubleshooting.
- **Incorporates integrated control board** with connections for electronic air cleaner, humidifier and twinning.
- **Two piece door design** enhances furnace appearance and uses screw fasteners for great fit and accessibility.
- **3 amp fuse** protection against low voltage shorts; protects transformer and control board.
- **Low voltage terminal board** for easy field wiring.

## High Efficiency Upflow 80+ Gas Furnace

- Vent switch** protects against blocked flue.
- Roll-out switch.**
- Aluminized steel in-shot burners**, hot surface ignitor and redundant gas valve provide safe, reliable ignition and efficient combustion.
- Remote flame sensor** for proof of carry-over.
- Supply air limit.**
- Gas Valve.**
- Counterflow heat exchanger** orientation and aluminized steel tubular design, means improved efficiency and durability. (Not Shown)
- SmartStart™ integrated control** monitors the burner flame and limit circuit continuously. Blower timing has adjustable OFF settings. Provides humidifier and electronic air cleaner connections.
- Induced draft blower** provides quiet and reliable operation.
- Front door screw fasteners** ensure tight fit.
- Fully Insulated** blower compartment.
- Multi-speed PSC motor/blower** provides quiet airflow, reliable operation, and is installed on a slide out track.



## High Efficiency Downflow 80+ Gas Furnace



**Multi-speed PSC motor/blower** provides quiet airflow, reliable operation, and is installed on a slide-out track. (Not shown)

**Induced draft blower** provides quiet and reliable operation.

**Counterflow heat exchanger** orientation and aluminized steel tubular design, means improved efficiency and durability. (Not shown)

**SmartStart™ integrated control** monitors the burner flame and limit circuit continuously. Blower timing has adjustable OFF settings. Provides humidifier and electronic air cleaner connections.

**Pressure switch** assures proper operation of the induced draft system.

**Supply air limit.**

**Gas Valves.**

**Remote flame sensor** for proof of flame carry-over.

**Roll-out switch.**

**Aluminized steel in-shot burners**, hot surface ignitor and redundant gas valve provide safe, reliable ignition and efficient combustion.

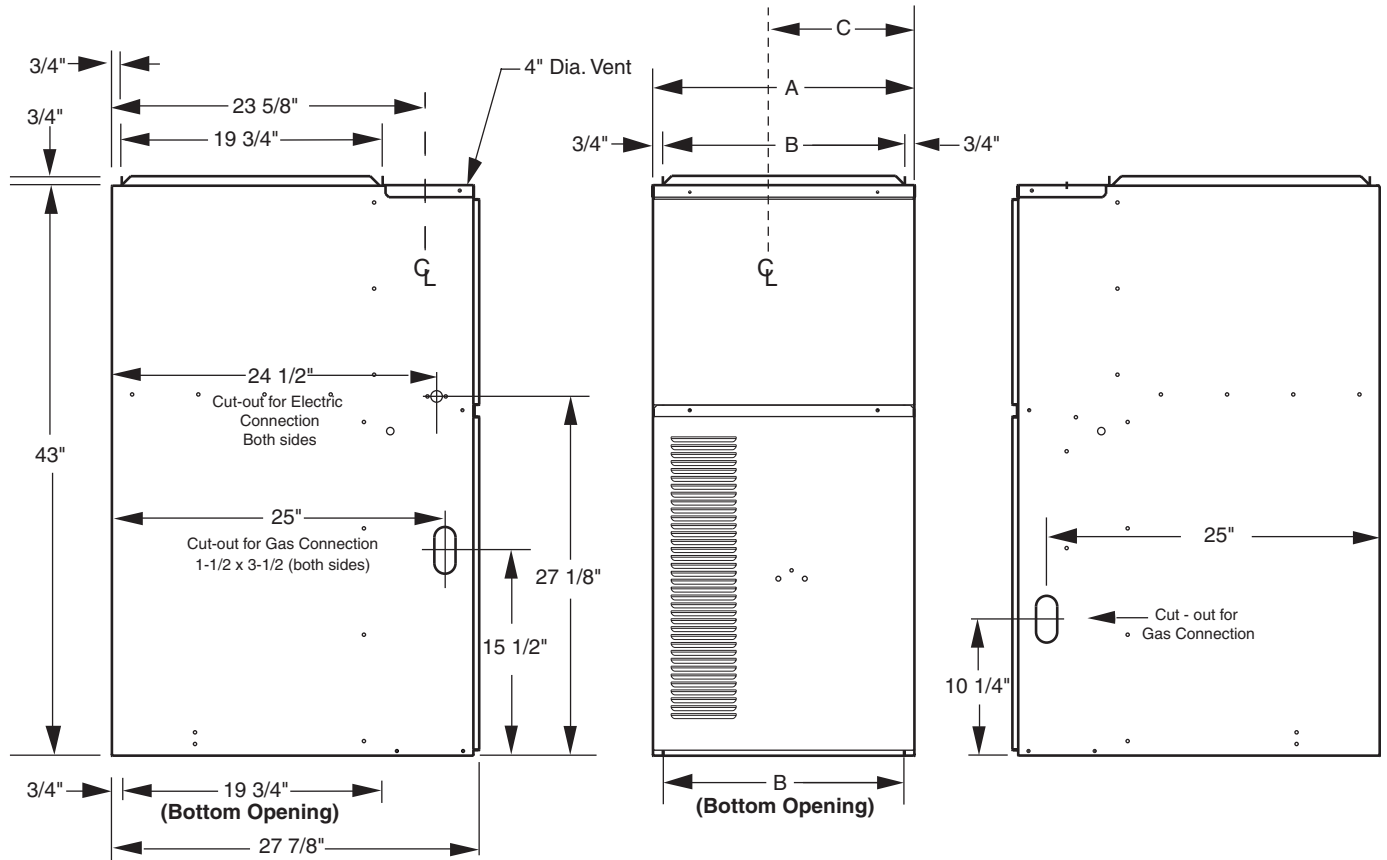


# DIMENSIONS (continued)

## Downflow Furnace

FURNACE DIMENSIONS AND SHIPPING WEIGHTS							
Model PGF1TK	High Input (Btuh)	Low Input (Btuh)	Dimensions				Shipping Weight (lbs)
			A (in.)	B (in.)	C (in.)	Flue Outlet (in.)	
060(*)-08A	60,000	42,000	14 1/4	12 3/4	5 1/2	4	120
060(*)-12A	60,000	42,000	14 1/4	12 3/4	5 1/2	4	132
072(*)-12	72,000	50,000	19 3/4	18 1/4	11	4	135
072(*)-16	72,000	50,000	19 3/4	18 1/4	11	4	152
096(*)-12	96,000	67,000	19 3/4	18 1/4	11	4	135
096(*)-16	96,000	67,000	19 3/4	18 1/4	11	4	152
096(*)-20	96,000	67,000	19 3/4	18 1/4	11	4	174
120(*)-16C	120,000	84,000	19 3/4	18 1/4	11	4	174
120(*)-20C	120,000	84,000	19 3/4	18 1/4	11	4	182

Note: (\*) Can be C or N



# STANDARD EQUIPMENT

Draft inducer; pressure switch; redundant main gas control; hot-surface ignition; timed ON/OFF blower controls (TDR); 40VA transformer for air conditioner application; limit controls; direct drive motor; all models can be converted to use L.P. (propane) gas. Factory approved kits only must be used and are available as an optional accessory from your Maytag distributor.

# SPECIFICATIONS

	060(C,N)-08A	060(C,N)-12A	072(C,N)-12B	072(C,N)-16B	096(C,N)-12B	096(C,N)-16B	096(C,N)-20B	120(C,N)-16C	120(C,N)-20C
High Fire Rated Input(Btu/h) (a)	60,000	60,000	72,000	72,000	96,000	96,000	96,000	120,000	120,000
High Fire Heating Capacity(Btu/h)	48,000	48,000	57,600	57,600	77,000	77,000	77,000	96,000	96,000
Low Fire Rated Input(Btu/h) (a)	42,000	42,000	50,000	50,000	67,000	67,000	67,000	84,000	84,000
Low Fire Heating Capacity(Btu/h)	34,000	34,000	40,000	40,000	54,000	54,000	54,000	67,000	67,000
<b>AFUE</b>	<b>80+</b>	<b>80+</b>	<b>80+</b>	<b>80+</b>	<b>80+</b>	<b>80+</b>	<b>80+</b>	<b>80+</b>	<b>80+</b>
Maximum Heating Ext. St. Press.(in WC)	0.5	0.5	0.5	0.5	0.5	0.5	0.5	0.5	0.5
Blower Wheel D x W	10 x 6	10 x 6	9 x 9	10 x 10	9 x 9	10 x 10	11 x 10	10 x 10	11 x 10
Motor H.P. Speed - Type	1/3 - 3 - PSC	1/3 - 3 - PSC	1/3 - 3 - PSC	1/2 - 4 - PSC	1/3 - 4 PSC	1/2 - 4 - PSC	3/4 - 4 - PSC	1/2 - 4 - PSC	3/4 - 4 - PSC
High Fire Temperature Rise Range(F)	30 - 60	30 - 60	30 - 60	45 - 75	45 - 75	40 - 75	35 - 65	45 - 75	40 - 70
Low Fire Temperature Rise Range(F)	25 - 55	25 - 55	25 - 55	35 - 65	35 - 65	25 - 55	25 - 55	35 - 65	25 - 55

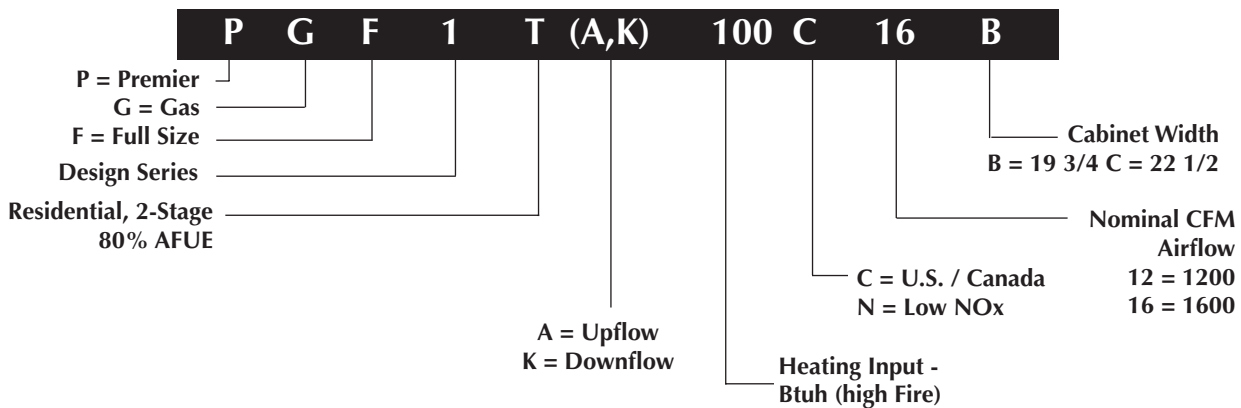
	060(C,N)-08A	060(C,N)-12A	072(C,N)-12B	072(C,N)-16B	096(C,N)-12B	096(C,N)-16B	096(C,N)-20B	120(C,N)-16B	120(C,N)-20B
High Fire Rated Input(Btu/h) (a)	60,000	60,000	72,000	72,000	96,000	96,000	96,000	120,000	120,000
High Fire Heating Capacity(Btu/h)	48,000	48,000	57,600	57,600	77,000	77,000	77,000	96,000	96,000
Low Fire Rated Input(Btu/h) (a)	42,000	42,000	50,000	50,000	67,000	67,000	67,000	84,000	84,000
Low Fire Heating Capacity(Btu/h)	34,000	34,000	40,000	40,000	54,000	54,000	54,000	67,000	67,000
<b>AFUE</b>	<b>80+</b>	<b>80+</b>	<b>80+</b>	<b>80+</b>	<b>80+</b>	<b>80+</b>	<b>80+</b>	<b>80+</b>	<b>80+</b>
Maximum Heating Ext. St. Press.(in WC)	0.5	0.5	0.5	0.5	0.5	0.5	0.5	0.5	0.5
Blower Wheel D x W	10 x 6	10 x 6	9 x 9	10 x 10	10 x 10	10 x 10	11 x 10	10 x 10	11 x 10
Motor H.P. Speed - Type	1/3 - 3 - PSC	1/3 - 3 - PSC	1/3 - 3 - PSC	1/2 - 4 - PSC	1/2 - 4 PSC	1/2 - 4 - PSC	3/4 - 4 - PSC	1/2 - 4 - PSC	3/4 - 4 - PSC
High Fire Temperature Rise Range(F)	25 - 55	25 - 55	25 - 55	30 - 60	40 - 70	40 - 70	35 - 65	50 - 80	45 - 75
Low Fire Temperature Rise Range(F)	25 - 55	25 - 55	20 - 50	25 - 55	25 - 55	25 - 55	25 - 55	30 - 60	35 - 65

( ) Can be C or N

Note: All models are 115V, 60 Hz. Gas Connections are 1/2" N.P.T. AFUE = Annual Fuel Utilization Efficiency.

(a) Ratings to 2,000 feet. Over 2,000 feet, reduce 4% for each 1,000 ft. above sea level.

# IDENTIFICATION CODE



## VENTING

Model Number PGF1T(A,K)	Min. Pipe Size	Reducer Needed	Flue Outlet (in.)	Max. # Elbows	Max. Ft. Vent Pipe
072( )-12B	3"	4" to 3"	4	4	35
072( )-16B	3"	4" to 3"	4	4	35
096( )-12B	3"	4" to 3"	4	4	35
096( )-16B	3"	4" to 3"	4	4	35
096( )-20B	3"	4" to 3"	4	4	35

## ACCESSORIES

Kit	Order Number
U.S. LP Conversion Kit (0 to 10,000 ft.)	904404
Canadian LP Gas Conversion Kit (0 to 4,500 ft.)	904405
Fossil Fuel Kit	914762
Side Return Filter Kit	541036
Bottom Return Filter (20/Box)	A Cabinet 903088 B Cabinet 903089 C Cabinet 903090
Internal Side Return Filter Wire	903152
Counterflow "A" Combustion Floor Base	902974
Counterflow "B" Combustion Floor Base	902677
Counterflow "C" Combustion Floor Base	904108

## ELECTRICAL DATA

Furnace Model Number *TA,*TK	Furnace Input (Btu/hr)	Cabinet Width (in.)	Nominal Electrical Supply	Maximum Operating Voltage	Minimum Operating Voltage	Maximum Furnace Amperes	Minimum Wire Gauge	Maximum Fuse or Circuit Breaker Amps**
060(†)-08A	60,000	14.25	115-60-1	127	103	7.1	14	15
060(†)-12A	60,000	14.25	115-60-1	127	103	7.1	14	15
072(†)-12B	72,000	19.75	115-60-1	127	103	7.1	14	15
072(†)-16B	72,000	19.75	115-60-1	127	103	9.0	14	15
096(†)-12B	96,000	19.75	115-60-1	127	103	7.1	14	15
096(†)-16B	96,000	19.75	115-60-1	127	103	9.0	14	15
096(†)-20B	96,000	19.75	115-60-1	127	103	14.5	12	20
120(†)-16B	120,000	19.75	115-60-1	127	103	9.0	14	15
120(†)-20B	120,000	19.75	115-60-1	127	103	14.5	12	20
120(†)-16C	120,000	22.50	115-60-1	127	103	9.0	14	15
120(†)-20C	120,000	22.50	115-60-1	127	103	12.2	12	20

Note: (†) can be C or N.

\*\*Time-delay fuses or HACR-type circuit breakers are required.

# CAPACITIES — Furnace Airflow Data

## 80+ UPFLOW/HORIZONTAL FURNACE MODELS

Model Number *TA	Heating Input (Btuh)	Motor Speed HP	External Static Pressure (Inches Water Column)																																
			0.1			0.2			0.3			0.4			0.5			0.6			0.7			0.8											
			CFM	Rise	CFM	Rise	CFM	Rise	CFM	Rise	CFM	Rise	CFM	Rise	CFM	Rise	CFM	Rise	CFM	Rise	CFM	Rise	CFM	Rise											
060-08A	60,000	1/3	1360	34/21	1345	33/22	1310	32/22	1260	35/23	1205	37/24	1155	39/25	1095	40/27	1030	43/28	970	55/37	785	56/38	760	58/39	750	59/40	720	61/41	685	65/43	655	68/45	610	73/48	
060-12A	60,000	1/3	1360	34/21	1345	33/22	1310	32/22	1260	35/23	1205	37/24	1155	39/25	1095	40/27	1030	43/28	970	55/37	785	56/38	760	58/39	750	59/40	720	61/41	685	65/43	655	68/45	610	73/48	
072-12B	72,000	1/3	1645	32/21	1575	34/22	1490	36/24	1395	40/23	1305	41/27	1230	43/30	1030	52/35	815	64/43	1410	38/25	1350	39/26	1280	42/28	1215	44/29	1130	47/32	1010	53/35	845	63/42	680	78/52	
072-16B	72,000	1/2	1480	36/24	1450	37/24	1420	38/25	1380	39/26	1325	40/27	1265	42/28	1190	45/30	1075	50/33	1030	52/35	950	56/37	915	58/39	865	61/41	775	69/46	690	77/51	640	83/55	525	- / 68	
096-12B	96,000	1/3	1870	28/18	1845	29/19	1790	30/20	1735	31/20	1665	32/21	1580	33/22	1500	35/23	1400	38/25	1495	50/30	1395	40/23	1305	41/27	1230	43/30	1155	50/33	1075	53/35	845	63/42	680	78/52	
096-16B	96,000	1/2	1660	44/27	1635	45/27	1600	46/28	1565	47/28	1525	49/29	1465	50/30	1400	53/32	1335	55/33	1390	53/32	1375	54/32	1330	55/33	1320	56/34	1245	57/35	1200	59/37	1110	66/40	970	76/46	
096-20B	96,000	3/4	2310	31/18	2255	32/19	2205	33/20	2155	34/20	2070	35/21	2015	35/22	1920	36/23	1840	40/24	2040	36/21	2010	37/22	1960	38/23	1900	39/24	1875	40/25	1815	41/25	1755	42/26	1650	45/27	
120-16C	120,000	1/2	1675	52/31	1665	53/32	1640	54/32	1610	55/33	1565	57/34	1515	59/35	1460	61/37	1375	64/39	1410	63/37	1395	64/38	1380	65/39	1360	66/40	1340	67/41	1310	68/42	1260	70/43	1185	75/45	
120-20C	120,000	3/4	2400	37/22	2360	37/23	2310	38/24	2255	40/24	2200	41/24	2140	42/25	2070	43/26	1990	45/27	2175	57/35	2165	58/36	2125	59/37	2065	60/38	1985	61/39	1915	62/40	1845	64/41	1745	69/42	
			2105	41/25	2095	42/25	2075	43/25	2060	43/26	2015	44/27	1960	45/27	1910	46/28	1840	48/29	1980	45/27	1945	45/28	1910	46/28	1860	48/29	1795	50/30	1720	52/31	1680	53/32	1600	56/33	
			1750	51/31	1745	51/31	1740	52/31	1720	52/31	1710	52/31	1680	53/32	1645	54/32	1600	56/33	1520	59/33	1515	59/33	1510	60/34	1500	60/35	1490	61/36	1475	61/37	1450	61/37	1425	62/38	
			1205	- / 44	1190	- / 45	1175	- / 45	1160	- / 46	1140	- / 47	1115	- / 48	1085	- / 49	1050	- / 51																	

**NOTES:**

- Airflow rates of 1800 CFM or more require two return air connections. Data is for operation with filter(s).
- Temperature rises in the table are approximate. Actual temperature rises may vary.
- Temperature rises and airflows for external static pressures greater than 0.5 are for reference only these conditions are not recommended.
- Temperature rise is displayed as High Fire/Low Fire

† = Factory Set Cooling  
 \* = Factory Set High Fire Heating  
 \*\* = Factory Set Low Fire Heating  
 - = Not Factory Recommended

# CAPACITIES — Furnace Airflow Data

## 80+ DOWNFLOW FURNACE MODELS

Model Number *TK	Heating Input (Btuh)	Motor Speed	Motor HP	External Static Pressure (Inches Water Column)																							
				0.1		0.2		0.3		0.4		0.5		0.6		0.7		0.8									
				CFM	Rise	CFM	Rise	CFM	Rise	CFM	Rise	CFM	Rise	CFM	Rise	CFM	Rise	CFM	Rise	CFM	Rise						
060-08A	60,000	High†	1/3	1420	31/20	1380	32/21	1340	33/22	1300	34/23	1235	36/24	1185	37/25	1110	40/26	1045	42/28								
		Med*		1215	36/23	1195	37/24	1175	38/25	1145	39/26	1105	40/27	1050	42/28	995	45/29	960	46/31								
		Low**		820	54/36	815	54/36	810	55/37	800	55/37	800	55/37	770	57/38	745	59/40	715	62/41	665	67/45						
060-12A	60,000	High†	1/3	1420	31/20	1380	32/21	1340	33/22	1300	34/23	1235	36/24	1185	37/25	1110	40/26	1045	42/28								
		Med*		1215	36/23	1195	37/24	1175	38/25	1145	39/26	1105	40/27	1050	42/28	995	45/29	960	46/31								
		Low**		820	54/36	815	54/36	810	55/37	800	55/37	800	55/37	770	57/38	745	59/40	715	62/41	665	67/45						
072-12B	72,000	High†	1/3	1655	32/21	1580	34/22	1500	35/24	1440	37/24	1355	40/26	1260	42/28	1155	46/31	980	54/36								
		Med*		1440	37/25	1400	38/25	1355	39/26	1285	42/28	1225	44/29	1145	46/31	1010	53/35	855	62/41								
		Low**		1015	52/35	1000	53/36	965	55/37	920	58/38	865	61/41	790	67/45	680	78/52	540	99/66								
072-16B	72,000	High†	1/2	1985	27/18	1945	27/18	1900	28/18	1850	29/19	1780	30/20	1715	31/21	1640	33/22	1545	35/23								
		Med-High		1680	32/21	1650	32/21	1625	33/22	1600	33/22	1560	34/23	1505	35/23	1420	37/25	1330	40/27								
		Med-Low*		1450	36/24	1410	37/25	1390	38/26	1370	39/26	1345	40/27	1305	41/28	1245	43/29	1160	46/31								
096-12B	96,000	High†	1/2	1950	38/33	1885	39/23	1815	40/24	1765	42/25	1685	44/26	1600	46/27	1535	48/29	1425	52/31								
		Med-High		1700	43/25	1665	44/26	1630	45/27	1580	47/28	1540	48/27	1475	50/30	1410	52/32	1330	55/33								
		Med-Low*		1430	51/30	1425	51/31	1395	52/32	1380	53/32	1335	55/33	1295	57/34	1230	60/36	1150	64/38								
096-16B	96,000	High†	1/2	1230	60/36	1225	60/36	1215	61/36	1190	62/37	1165	63/38	1130	65/39	1110	66/40	1070	69/42								
		Med-High		1950	38/33	1885	39/23	1815	40/24	1765	42/25	1685	44/26	1600	46/27	1535	48/29	1425	52/31								
		Med-Low**		1700	43/25	1665	44/26	1630	45/27	1580	47/28	1540	48/27	1475	50/30	1410	52/32	1330	55/33								
096-20B	96,000	High†	3/4	2100	35/20	2070	36/21	2010	37/22	1945	38/23	1905	39/23	1840	40/24	1790	41/25	1710	43/26								
		Med-High		1830	40/23	1805	41/24	1760	42/25	1725	43/26	1680	44/27	1635	45/28	1555	47/29	1480	50/30								
		Med-Low*		1580	47/27	1550	48/28	1520	49/29	1490	50/30	1455	51/31	1395	53/32	1355	55/33	1280	57/35								
120-16B	120,000	High†	1/2	1175	63/37	1155	64/38	1120	65/39	1100	67/40	1070	69/41	1035	71/42	990	73/43	930	79/48								
		Med-High		1950	46/27	1885	47/28	1815	48/29	1765	50/30	1685	53/31	1600	55/33	1535	58/35	1425	62/38								
		Med-Low*		1700	53/31	1665	53/32	1630	55/33	1580	56/34	1540	57/34	1475	60/36	1410	63/38	1330	67/40								
120-20B	120,000	High†	3/4	1430	63/37	1425	62/38	1395	64/39	1380	65/40	1335	66/41	1295	68/42	1230	72/43	1150	77/46								
		Med-High		1230	71/43	1225	72/44	1215	73/45	1190	74/46	1165	76/46	1130	78/47	1110	80/48	1070	83/49								
		Med-Low*		2100	42/25	2070	43/26	2010	44/26	1945	46/27	1905	47/28	1840	48/29	1790	49/30	1710	52/31								
		Low**		1830	48/28	1805	49/29	1760	50/30	1725	51/31	1680	53/32	1635	54/33	1555	57/34	1480	60/35								
		Med-Low*		1580	56/33	1550	57/34	1520	58/35	1490	59/36	1455	61/36	1395	63/38	1355	65/39	1280	71/42								
		Low**		1175	75/45	1155	77/46	1120	79/47	1100	80/48	1070	83/50	1035	85/51	990	90/54	930	95/57								

**NOTES:**

- † = Factory Set Cooling
  - \* = Factory Set High Fire Heating
  - \*\* = Factory Set Low Fire Heating
  - = Not Factory Recommended
1. Airflow rates of 1800 CFM or more require two return air connections. Data is for operation with filter(s).
  2. Temperature rises in the table are approximate. Actual temperature rises may vary.
  3. Temperature rises and airflows for external static pressures greater than 0.5 are for reference only these conditions are not recommended.
  4. Temperature rise is displayed as High Fire/Low Fire



Before purchasing this appliance, read important energy cost and efficiency information available from your retailer. Specifications and illustrations subject to change without notice and without incurring obligations.

Maytag is a registered trademark of the Maytag Corporation and is used under license to NORDYNE Inc.

693B-0606 (Replaces 693B-0605)

Printed in U.S.A. (06/06)