

⚠ DO NOT destroy this manual. Please read carefully and keep in a safe place for future reference

⚠ WARNING

If the information in these instructions is not followed exactly, a fire or explosion may result causing property damage, personal injury or death.

⚠ FOR YOUR SAFETY!

- **DO NOT** store or use gasoline, other flammable vapors or liquids or other combustible materials in the vicinity of this or any other appliance. Doing so may result in a explosion or fire.

-WHAT TO DO IF YOU SMELL GAS

- **DO NOT** try to light any appliance.
- **DO NOT** touch any electrical switch.
- **DO NOT** use any phone in your home.
- Immediately call your gas supplier from a neighbor's phone. And follow the gas supplier's instructions.
- If you cannot reach your gas supplier, call the fire department.
- **DO NOT** return to your home until authorized by the gas supplier or fire department.

-ALWAYS REFER TO THIS MANUAL

- Installation and service must be performed by a qualified installer, service agency, or gas supplier.

COMMERCIAL HIGH EFFICIENCY WATER HEATER USE & CARE MANUAL



CONTENTS

Important Safety Information

General Safety Precautions..... 2-5

Product Information

Components Diagram.....6, 7

Installation

Location.....8

Thermal Expansion.....9

Water Connections.....9

To Fill the Water Heater.....9

Gas Supply.....10

Leak Testing.....10

Condensate.....10

High Altitude.....11

Wiring.....11

Typical Installation.....12

Space Heating Connections.....13

Venting and Combustion Air Inlet.....14 - 32

Check List.....33

Operation

Lighting Instructions.....34

Safety Precautions.....35

User Interface

Start Up.....36

Temperature Adjustment.....36

Schedule Settings.....37

Time/Date Settings.....37

WiFi Status.....38

Alarms and Service Alerts.....39

Maintenance

Routine Preventive Maintenance.....40

Seasonal Operation.....40

Venting System.....40

Before You Call For Service

Troubleshooting Tips.....41, 42

Error Codes.....43- 50

Replacement Parts

Instructions For Placing a Parts Order.....51, 52

Wiring and Schematic Diagrams.....53

How to Obtain Service Assistance.....56

READ ALL SAFETY INFORMATION

Your safety and the safety of others are very important. There are many important safety messages in this manual and on your appliance. Always read and follow all safety messages.



This is the safety alert symbol. Recognize this symbol as an indication of important safety information! This symbol alerts you to safety hazards that could result in physical harm or death.

All safety messages will follow the safety alert symbol and either the word “DANGER,” “WARNING,” “CAUTION,” or “NOTICE.”

These words mean:

▲ DANGER: An imminently hazardous situation that will result in death or serious injury.

▲ WARNING: A potentially hazardous situation that can result in death or serious injury and/or damage to property.

▲ CAUTION: A potentially hazardous situation that may result in minor or moderate injury.

NOTICE: Attention is called to observe a specified procedure or maintain a specific condition.

FOR YOUR RECORDS:

Write the model and serial numbers here:

You can find them on a label on the appliance.

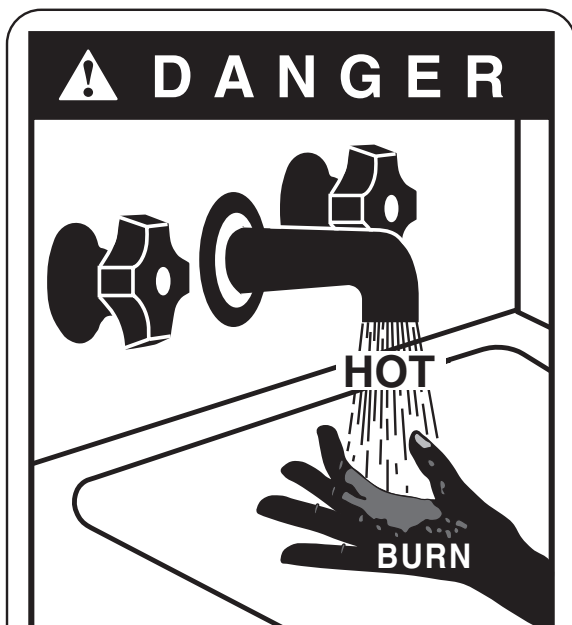
Staple sales slip or cancelled check here.

Proof of the original purchase date is needed to obtain service under the warranty.

GENERAL SAFETY PRECAUTIONS

To meet commercial water use needs, the temperature on this water heater is adjustable up to 185°F (85°C). However, water temperatures over 125°F (52°C) can cause severe burns instantly or death from scalds. This is the preferred starting point for setting the control for supplying general purpose hot water.

Safety and energy conservation are factors to be considered when setting the water temperature. The most energy efficient operation will result when the temperature setting is the lowest value that satisfies the needs consistent with the application.



Water temperature over 125°F (52°C) can cause severe burns instantly or death from scalds.

Children, disabled and elderly persons are at greatest risk of being scalded.

See instructions manual before setting temperature of water heater.

Feel water Before bathing or showering.

Temperature limiting valves are available, see manual.

Maximum water temperatures occur just after burner has shut off. To find the temperature of the hot water being delivered, turn on a hot water faucet, and place a thermometer in the hot water stream, and read the thermometer.

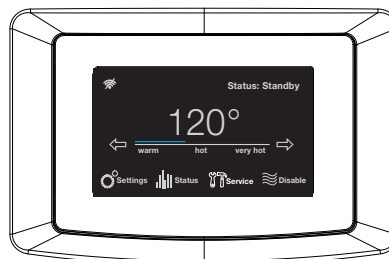
The following chart details the relationship of water temperature and time to scald injury and may be used as a guide in determining the safest water temperature for your applications.

TIME / TEMPERATURE RELATIONSHIPS IN SCALDS

Water Temperature	Time to Produce Serious Burn
120° F (49°C)	More than 5 minutes
125° F (52°C)	1½ to 2 minutes
130° F (54°C)	About 30 seconds
135° F (57°C)	About 10 seconds
140° F (60°C)	Less than 5 seconds
145° F (63°C)	Less than 3 seconds
150° F (66°C)	About 1½ seconds
155° F (68°C)	About 1 second

Table courtesy of Shriners Burn Institute

The temperature of the water in the heater can be regulated by setting the temperature on the display (see "User Interface" section). To comply with safety regulations the water heater temperature was adjusted to lowest setting before the water heater was shipped from the factory. The illustration information on "User Interface" section shows the display and how to adjust the water temperature.



See Section "User Interface" for setting the temperature.

▲ DANGER:

Hotter water increases the potential for hot water SCALDS.

NOTICE:

Mixing valves are recommended for reducing point of use water temperature by mixing hot and cold water in branch water lines. It is recommended that a mixing valve complying with the Standard for Temperature Actuated Mixing Valves for Hot Water Distribution Systems, ASSE 1017 be installed. See Water Connections for more details. For additional information, contact a licensed plumber or the local plumbing authority.

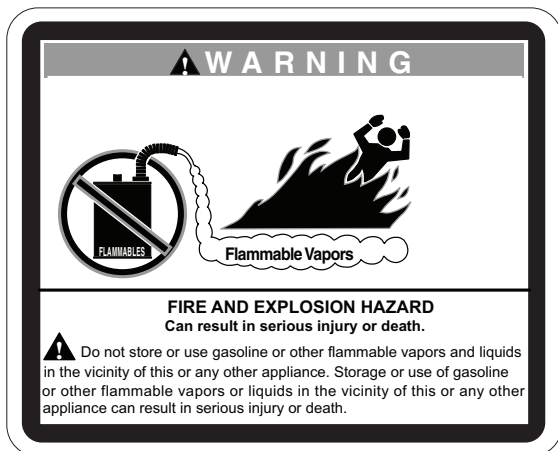
GENERAL SAFETY PRECAUTIONS

Be sure to read and understand the entire Use and Care Manual before attempting to install or operate this water heater. It may save you time and money. Pay particular attention to the Safety Instructions. Failure to follow these warnings could result in serious bodily injury or death. Should you have problems understanding the instructions in this manual, or have any questions, STOP, and get help from a qualified service technician, or the local gas utility.

Flammable Materials:

⚠️ WARNING:

Gasoline, as well as other flammable materials and liquids (which include but are not limited to adhesives, solvents, paint thinners, etc.), and the vapors they produce are extremely dangerous. DO NOT handle, use, or store gasoline or other flammable or combustible materials anywhere near or in the vicinity of a water heater or any other appliance. Be sure to read and follow the warning label pictured below and other labels on the water heater and in this manual. Failure to do so can result in property damage, bodily injury, or death.



Venting:

⚠️ DANGER:

Failure to properly vent the water heater to the outdoors as outlined in the "Venting and Combustion Air Inlet" section of this manual can result in unsafe operation of the water heater. To avoid the risk of fire, explosion, or asphyxiation from carbon monoxide, never operate this water heater unless it is properly vented and has adequate air supply for proper operation. Be sure to inspect the Venting and Combustion Air Inlet section for proper installation at initial start-up and, at least, annually, thereafter. Refer to the "Maintenance" section of this manual for more information regarding vent system inspections.

Natural Gas and Liquefied Petroleum Safety

⚠️ DANGER:

LIQUEFIED PETROLEUM MODELS — Propane (LP) gas, must be used with great caution.

- It is heavier than air and will collect first in lower areas making it hard to detect at nose level.
- Make sure to look and smell for LP leaks before attempting ignition of the water heater. Use a soapy solution to check all gas fittings and connections. Bubbling at a connection indicates a leak that must be corrected.
- When smelling to detect an LP leak, be sure to sniff near the floor too.
- Gas detectors are recommended in LP applications and their installation should be in accordance with the manufacturer's recommendations and local laws, rules, regulations, or customs.
- It is recommended that more than one method be used to detect leaks in LP applications.

IF LP GAS IS PRESENT OR SUSPECTED:

- DO NOT attempt to find the cause yourself;
- DO NOT try to light any appliance;
- DO NOT touch any electrical switch;
- DO NOT use any phone in your building.
- Leave the building immediately and make sure your family and pets leave also.
- Leave the doors open for ventilation and contact the gas supplier, a qualified service agency or the fire department.
- Stay away from the house (or building) until the service call has been made, the leak is corrected and a qualified agency has determined the area to be safe.

⚠️ WARNING:

Both LP and natural gas have an odorant added to help detection. Some people may not physically be able to smell or recognize this odorant. If unsure or unfamiliar about the smell associated with LP or natural gas, ask the gas supplier. Other conditions, such as "Odorant Fade", which causes the odorant to "fade" or diminish in intensity can also hide or camouflage a gas leak.

GENERAL SAFETY PRECAUTIONS

⚠ DANGER:

Water heaters utilizing Liquefied Petroleum gas (LP) are different from natural gas models. A natural gas heater will not function safely on LP gas and vice versa. No attempt should ever be made to convert a heater from natural gas to LP gas. To avoid possible equipment damage, personal injury or fire: DO NOT connect this water heater to a fuel type not in accordance with the unit's data plate. Propane for propane units; natural gas for natural gas units. These units are not certified for any other type fuel.

⚠ WARNING:

LP appliances should not be installed below-grade (for example, in a basement) if such installation is prohibited by federal, state, or local laws, rules, regulations or customs.

Electrical Safety

⚠ DANGER:

- Shock Hazard – Make sure the electrical power to the water heater is off to avoid electric shock that will result in death or serious personal injury.

⚠ WARNINGS:

- For your safety, the information in this manual must be followed to minimize the risk of fire, explosion, or electric shock that can result in death, personal injury, and/or property damage.
- Field wiring connections and electrical grounding must comply with local codes or, in the absence of local codes, with the latest edition of the National Electrical Code, ANSI/NFPA 70, or in Canada, Canadian Electrical Code, CAN/CSA C22.1, Part 1.

⚠ CAUTIONS:

- Label all wires prior to disconnecting for service. Wiring errors can cause dangerous and improper operation. Verify correct operation after servicing.
- For your safety, burner inspection and cleaning should be performed only by qualified service personnel.
- Make certain the power to the water heater is OFF before removing the unit cover panel. Exposed electrical components and moving parts can cause personal injuries.
- For your safety, DO NOT attempt repair of electrical wiring, gas piping, remote control, burners, vent connectors, or other safety devices. Refer repairs to qualified service personnel.

FOR INSTALLATIONS IN THE STATE OF CALIFORNIA

California Law requires that all new and replacement water heaters, and all existing commercial water heaters, must be braced, anchored, or strapped to resist falling or horizontal displacement due to earthquake motion. At a minimum, any water heater shall be secured in accordance with the California Plumbing Code, or modifications made thereto by a city, county, or city and county pursuant to Section 17958.5. Generic instructions for California titled "Guidelines for Earthquake Bracing Commercial Water Heaters" can be obtained by:

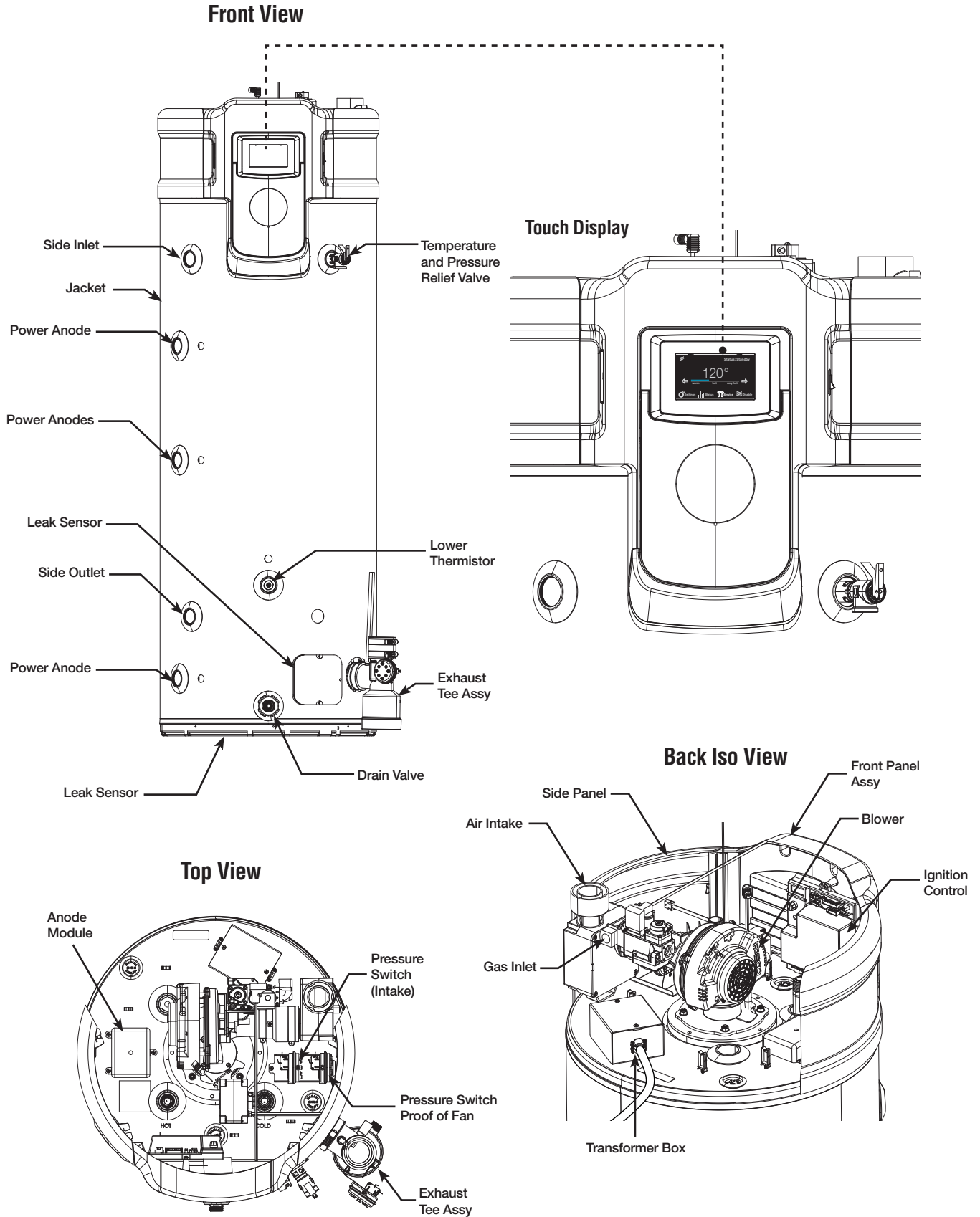
- Writing the California, Department of General Services, Division of State Architect, 1102 Q Street, Suite 5100, Sacramento, CA 95814
- Calling (916) 445-8100
- Following web address:

https://www.dgs.ca.gov/-/media/Divisions/DSA/Publications/gas_shutoff/waterheaterbracing

Inspect Shipment

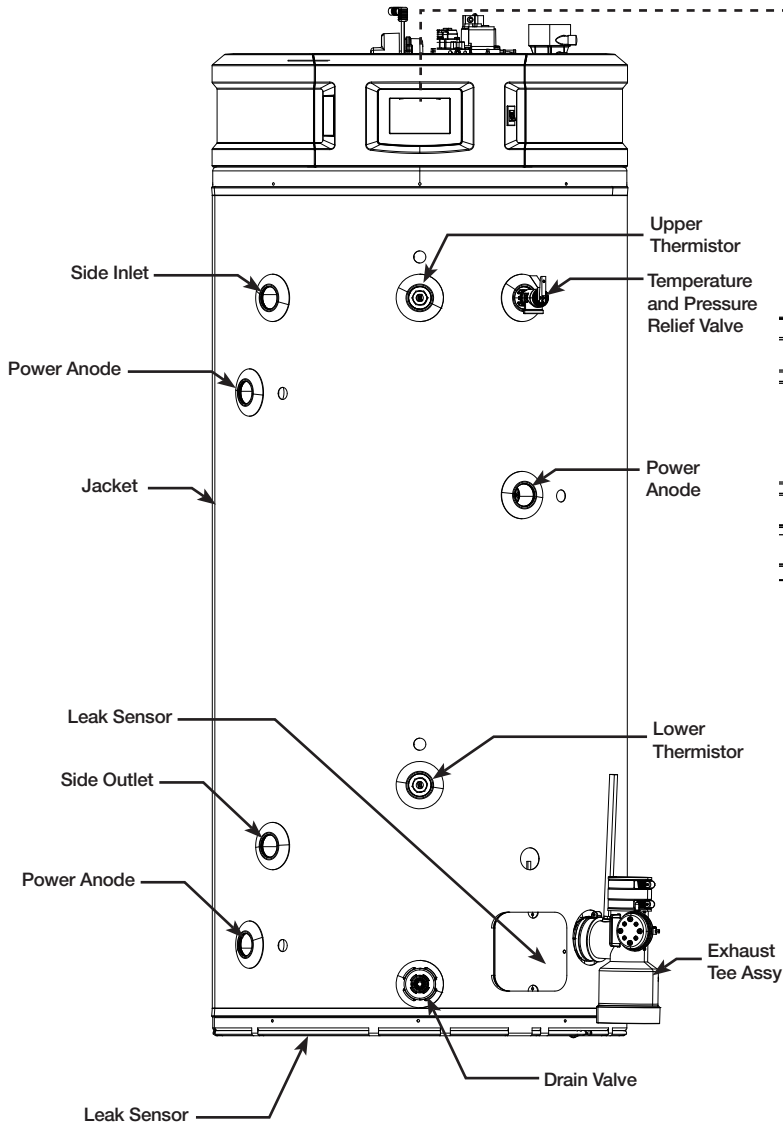
Carefully inspect the water heater for damage before proceeding with the installation. Of specific interest should be combustion air-inlet piping assembly, exhaust-tee, or damage to blower-valve assembly. If you find damage, DO NOT install or attempt any repair to the water heater. Contact the manufacturer as detailed under "HOW TO OBTAIN ASSISTANCE".

COMPONENTS DIAGRAM (50 GAL)

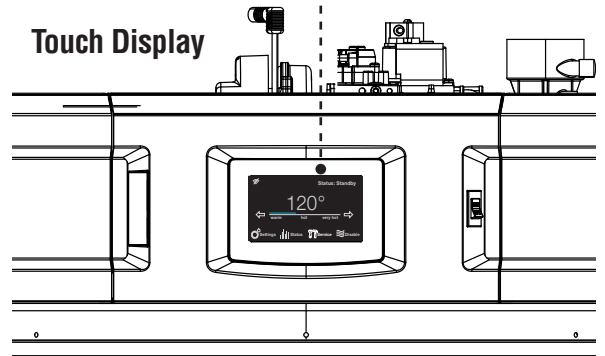


COMPONENTS DIAGRAM (75 GAL)

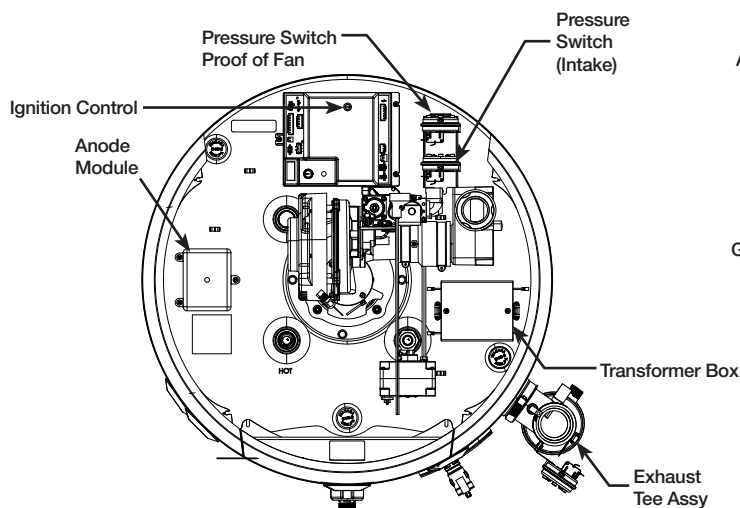
Front View



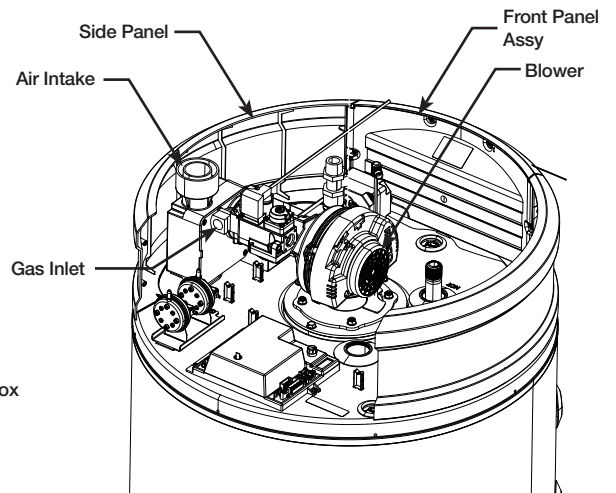
Touch Display



Top View



Back Iso View



INSTALLATION

This water heater must be installed in accordance with these instructions, local codes, utility company requirements, and/or in the absence of local codes, use the latest edition of the American National Standard/National Fuel Gas Code for US and CAN/CSA B149 - Natural Gas and Propane Installation Code for Canada. A copy can be purchased from the American Gas Association, 400N. Capitol Street NW, Washington, DC 20001 as ANSI standard C223.1 or National Fire Protection Association, 1 Batterymarch Park, Quincy, MA 02269 as booklet NFPA 54. for US and Canadian Standards Association, 5060 Spectrum Way, Mississauga, Ontario L4W5N6 for Canada.

Location

The water heater should not be located in an area where leakage from the tank or connections will result in damage to the area adjacent to the heater or to lower floors of the structure.

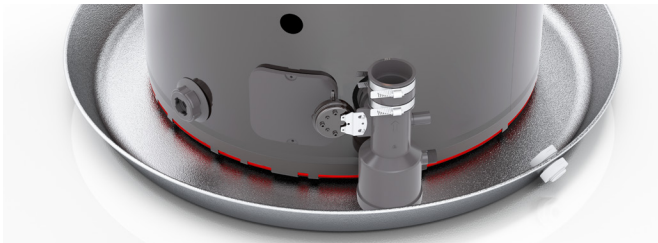
When such areas cannot be avoided it is recommended that a suitable drain pan, adequately drained, must be installed under the water heater.

The auxiliary drain pan installation MUST conform with local codes.

The water heater must be positioned in the drain pan as shown. Ensure that the condensate-tee is located inside the drain pan.

The recommended minimum drain pan sizes are 28" diameter for 50Gal and 32" diameter for 75Gal water heaters

DRAIN PAN



Drain pan kits are available from the store where the water heater was purchased, or any water heater distributor.

Make certain the floor underneath the water heater is strong enough to sufficiently support the weight of the water heater once it is filled with water.

This gas-fired water heater or any other appliance should not be installed in a space where liquids which give off flammable vapors are to be used or stored. Such liquids include gasoline, LP gas (butane or propane), paint or adhesives, thinners, solvents and/or combustible removers.

⚠️ WARNING:

Combustible construction refers to adjacent walls and ceilings and should not be confused with combustible or flammable products and materials. Combustible and/or flammable products and materials should never be stored in the vicinity of this or any gas appliance.

⚠️ WARNING:

Because of natural air movement in a room or other enclosed space, flammable vapors can be carried some distance from where liquids which give off flammable vapors are to be used or stored. The open flame of the water heater's main burner can ignite these vapors creating a shut down condition which will not allow the water heater to ignite.

Rheem Water Heating FVIR certified gas water heaters can be installed on a residential garage floor without the use of an 18 in. (46 cm.) stand in accordance with the National Fuel Gas Code, ANSI Z223.1/NFPA 54, unless otherwise directed by State and Local code requirements. The water heater must be located so it is not subject to physical damage, for example, by moving vehicles, area flooding, etc.

IMPORTANT: DO NOT install the water heater in a location where it may be subjected to ambient temperatures exceeding 125°F (52°C).

- The water heater should be installed so as to minimize the length of plastic vent and combustion air-inlet pipe and the number of vent and combustion air-inlet connection fittings required.
- See Vent and Combustion Air-Inlet Section for vent system requirements.
- Hot water lines should be insulated to conserve water and energy.
- Protect the water heater and water lines from exposure to freezing temperatures.
- DO NOT install this water heater outdoors.
- Minimum clearances from combustible construction:

Front	Sides	Rear	Top
5 In. (12.7 cm)	0 In. (0 cm)	0 In. (0 cm)	15 In. (30.5 cm)

The Exhaust Tee located on the right front of the unit will require additional side clearance of approximately 2.75" from the water heater.

NOTICE:

For proper operation and maintenance, a minimum clearance of 1.5 inches (3.8 cm) must be provided from the combination temperature and pressure relief valve to any wall or object.

"Front" Clearance dimension is measured from the water heater jacket to the closet door.

"Top" clearance dimension is measured from the jacket top of the water heater to the ceiling.

If the water heater is to be installed directly on carpeting, the water heater shall be installed on a metal or wood panel extending beyond the full width and depth of the water heater by at least 3 in. (7.6 cm) in all directions or, if the water heater is to be installed in an alcove or closet, the entire floor must be covered by a wood or metal panel.

CORROSIVE ATMOSPHERES

The air in beauty shops, dry cleaning establishments, photo processing labs, and storage areas for liquid and powdered bleaches or swimming pool chemicals often contain halogenated hydrocarbons.

An air supply containing halogenated hydrocarbons may be safe to breathe, but when it passes through a gas flame corrosive elements are released that will shorten the life of any gas burning appliance.

Propellants from common spray cans or gas leaks from A/C and refrigeration equipment are highly corrosive after passing through a flame.

The water heater warranty is voided when failure of the heater is due to operation in a corrosive atmosphere.

THERMAL EXPANSION

Determine if a check valve exists in the inlet water line. It may have been installed in the cold water line as a separate back flow preventer, or it may be part of a pressure reducing valve, water meter or water softener. A check valve located in the cold water inlet line can cause what is referred to as a "closed water system". A cold water inlet line with no check valve or back flow prevention device is referred to as an "open" water system.

As water is heated, it expands in volume and creates an increase in the pressure within the water system. This action is referred to as "thermal expansion". In an "open" water system, expanding water, which exceeds the capacity of the water heater, flows back into the city main where the pressure is easily dissipated.

A "closed water system", however, prevents the expanding water from flowing back into the main supply line and the result of "thermal expansion" can create a rapid, and dangerous pressure increase in the water heater and system piping. This rapid pressure increase can quickly reach the safety setting of the relief valve, causing it to operate during each heating cycle. Thermal expansion, and the resulting rapid, repeated expansion and contraction of components in the water heater and piping system can cause premature failure of the relief valve and possibly the heater itself. Replacing the relief valve will not correct the problem!

The suggested method of controlling thermal expansion is to install an expansion tank in the cold water line between the water heater and the check valve. The expansion tank is designed with an air cushion built in that compresses as the system pressure increases,

thereby relieving the over pressure condition and eliminating the repeated operation of the relief valve. Other methods of controlling thermal expansion are also available. Contact your installing contractor, water supplier, or plumbing inspector for additional information regarding this subject.

WATER CONNECTIONS

Refer to illustration on page 12 for suggested typical installation. The installation of unions or flexible connectors is recommended on the hot and cold water connections so that the water heater may be easily disconnected for servicing if necessary. If flexible water connections are used, they must comply with the standard for flexible Water Connectors, ASME A112.18.6/CSA-B125.6. The HOT and COLD water connections are clearly marked on the water heater. Install a shutoff valve in the cold water line near the water heater.

IMPORTANT

All models are equipped with front and side panels, it is recommended that the hot and cold water piping have a minimum vertical height of 10 inches (25.4 cm) from the top of the water heater before transitioning into any elbow. This vertical height is needed in order to provide adequate clearance for Side Panel installation and removal.

To gain access to the hot and cold water connections the side panels need to be removed. The side panels are secured on the top of the water heater with fastening pegs (see illustration). Pull the side panels either outwards or upwards to release panels from pegs.

RELIEF VALVE

The pressure rating of the relief valve must not exceed 150 psi (1,034 kPa), the maximum working pressure of the water heater as marked on the rating plate.

The Btu/h rating of the relief valve must equal or exceed the Btu/h input of the water heater as marked on its rating plate.

Position the outlet of the relief valve above a suitable open drain to eliminate potential water damage. Piping used should be of a type approved for hot water distribution.

The discharge line must be no smaller than the outlet of the valve and must pitch downward from the valve to allow complete drainage (by gravity) of the relief valve and discharge line.

The end of the discharge line should not be threaded or concealed and should be protected from freezing. No valve of any type, restriction, or reducer coupling should be installed in the discharge line.

TO FILL THE WATER HEATER

Make certain that the drain valve is closed, then open the shut-off valve in the cold water supply line.

Open each hot water faucet slowly to allow the air to vent

INSTALLATION

from the water heater and piping.

A steady flow of water from the hot water faucet(s) indicates a full water heater.

GAS SUPPLY

The inlet gas pressure to the water heater must not exceed 10.5" wc (2.6 kPa) for Natural gas and 13.0" wc (3.2 kPa) for L.P. gas. The minimum inlet gas pressure (with main burner on) is shown on the rating plate. Check to see if high or low gas pressure is present and then contact the gas company for correction.

The branch gas supply line to the water heater should be clean properly sized steel pipe or other approved gas piping material.

A union or ANSI design certified semirigid or flexible gas appliance connector should be installed in the gas line close to the water heater. The National Fuel Gas Code (NFGC) mandates a manual gas shut off valve: See (NFCG) for complete instructions.

If flexible connectors are used, the maximum length shall not exceed 36 in. and must meet the requirements in ANSI Z21.24/CSA 6.10 - Connectors for Gas Appliances.

Compound used on the threaded joints of the gas piping must be of the type resistant to the action of LP gas. Use compound sparingly on male threads only.

Where a sediment trap is not incorporated as part of the appliance, a sediment trap shall be installed downstream of the equipment shutoff valve as close to the inlet of the appliance as practical at the time of the appliance installation. The sediment trap shall be either a tee fitting with a capped nipple in the bottom outlet or other device recognized as an effective sediment trap. See Figure.

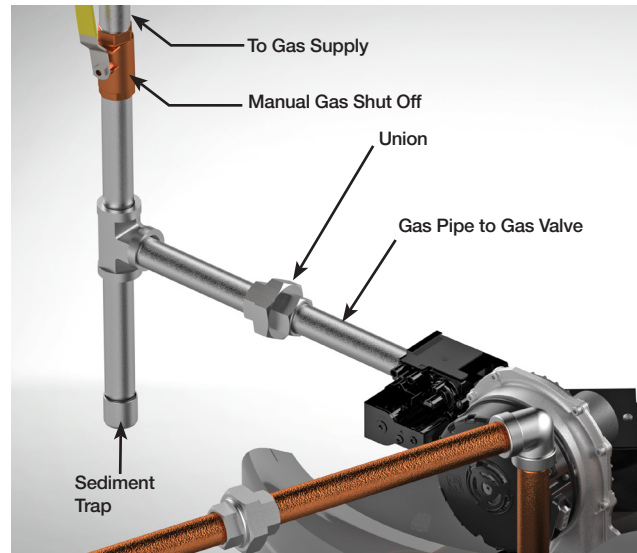
DO NOT use excessive force (20Ft. Lbs.) in tightening the pipe joint at the gas control (thermostat) inlet, particularly if teflon pipe compound is used, as the valve body may be damaged.

For purposes of input adjustment, the minimum inlet gas pressure (with main burner on) is shown on the water heater rating plate. If high or low gas pressure are present, contact your gas supplier for correction.

A ground joint union and manual shutoff valve should be installed in the gas line near the water heater so that the burner assembly may be easily removed. The shut-off valve must be readily accessible for turning on or off.

LEAK TESTING

The water heater and its gas connections **MUST** be leak tested at normal operating pressure before it is placed in operation. Turn **ON** the manual gas shut-off valve near the water heater. Use a soapy water solution to test for gas leaks at all connections and fittings. Bubbles indicate a gas leak that must be corrected. The water



heater factory connections to the gas valve should also be leak tested after placing the water heater in operation.

⚠ WARNING:

NEVER use open flame to test for gas leaks, as bodily injury or property damage could result.

PRESSURE TESTING THE GAS SUPPLY SYSTEM

The water heater and its individual gas shut-off valve **MUST** be disconnected from the gas supply piping system during any high pressure testing of that system at pressures in excess of 1/2 psi (14" WC / 3.5 kPa).

The water heater **MUST** be isolated from the gas piping system by closing the manual gas shut-off valve during any pressure testing of the gas supply piping at pressures equal to or less than 1/2 psi (14" WC / 3.5 kPa).

CONDENSATE

The exhaust elbow/condensate trap is shipped pre-installed with the heater. Pour the neutralizer into the exhaust tee before vent pipe installation. Make sure that the neutralizer is at the bottom as shown in the figure on next page.

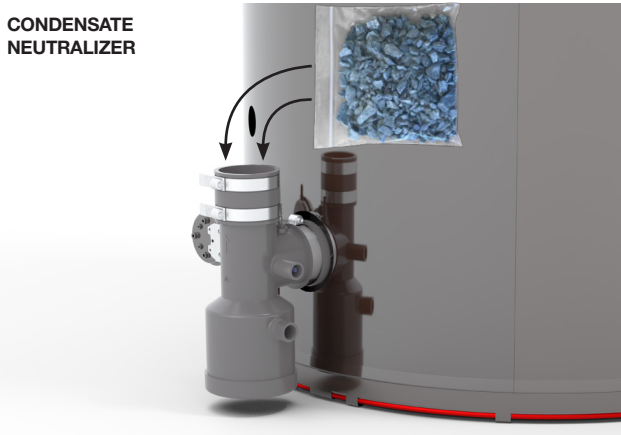
This is a condensing high efficiency appliance and has a condensate removal system. The exhaust tee incorporates a condensate trap and must be filled with water before operating the water heater. Pour about 1 cup of water into the exhaust tee.

This water heater generates condensate and requires a drain to be located in close proximity to allow condensate to drain safely. The drain line and fittings should be installed per installation instructions.

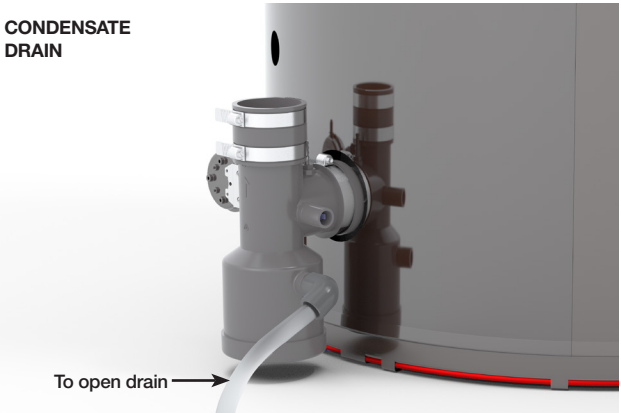
Be sure the condensate runs freely to the drain and does not accumulate in the condensate trap or the condensate line. In cold climates, precautions may need to be taken to ensure that the condensate drain lines do not freeze. A water proof heat tape may be used to prevent freezing of condensate lines.

INSTALLATION

CONDENSATE NEUTRALIZER

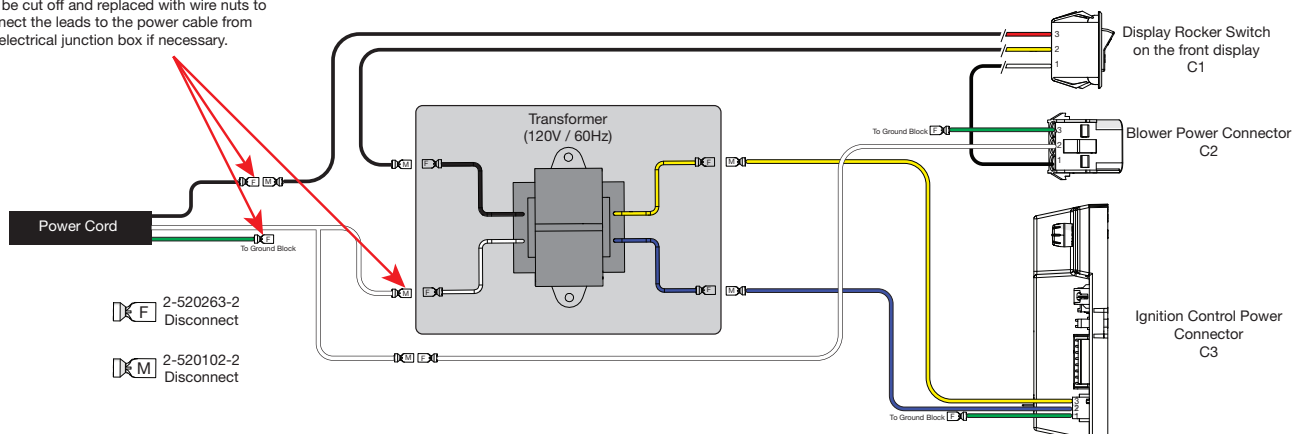


CONDENSATE DRAIN



- Condensate is mildly acidic and should be collected and disposed per local codes. Certain local codes require condensate to be neutralized before it is disposed. This water heater comes with a pre-packaged neutralizer bag. Pour the neutralizer in the exhaust-tee prior to installing vent pipes. Make sure the neutralizer is at the bottom of the exhaust-tee.
- Use only PVC, CPVC pipe or flexible tubing suitable for use with flue condensate as drain line. If flexible tubing is used ensure that there are no bends or twists and has gradual slope to condensate drain.

For Commercial applications disconnects can be cut off and replaced with wire nuts to connect the leads to the power cable from the electrical junction box if necessary.



- The drain line (along its entire length) must be at least the same diameter as the drain of the condensate trap (1/2").
- The drain line must be short as possible and have a downward slope towards the condensate drain. If suitable slope is not provided, the drain line can get blocked and will cause improper operation of the water heater. If a downward slope cannot be provided, a condensate pump should be used to pump condensate to a suitable drain.
- The end of the drain line should be open to the atmosphere. The end should not be under water.
- DO NOT connect the drain line directly to the sewer drain.
- DO NOT connect the drain line with drains from other appliances.
- DO NOT drain condensate into the water heater drain pan.
- DO NOT drain condensate over public way, walkway or other areas where it will create slippery condition, which could lead to personal injury.

HIGH ALTITUDE

Input rating of this water heater is based on sea level operation. At higher elevations the actual input rate may be lower than the value listed on the rating label due to the derating of Natural Gas and LP Gas.

⚠ WARNING:

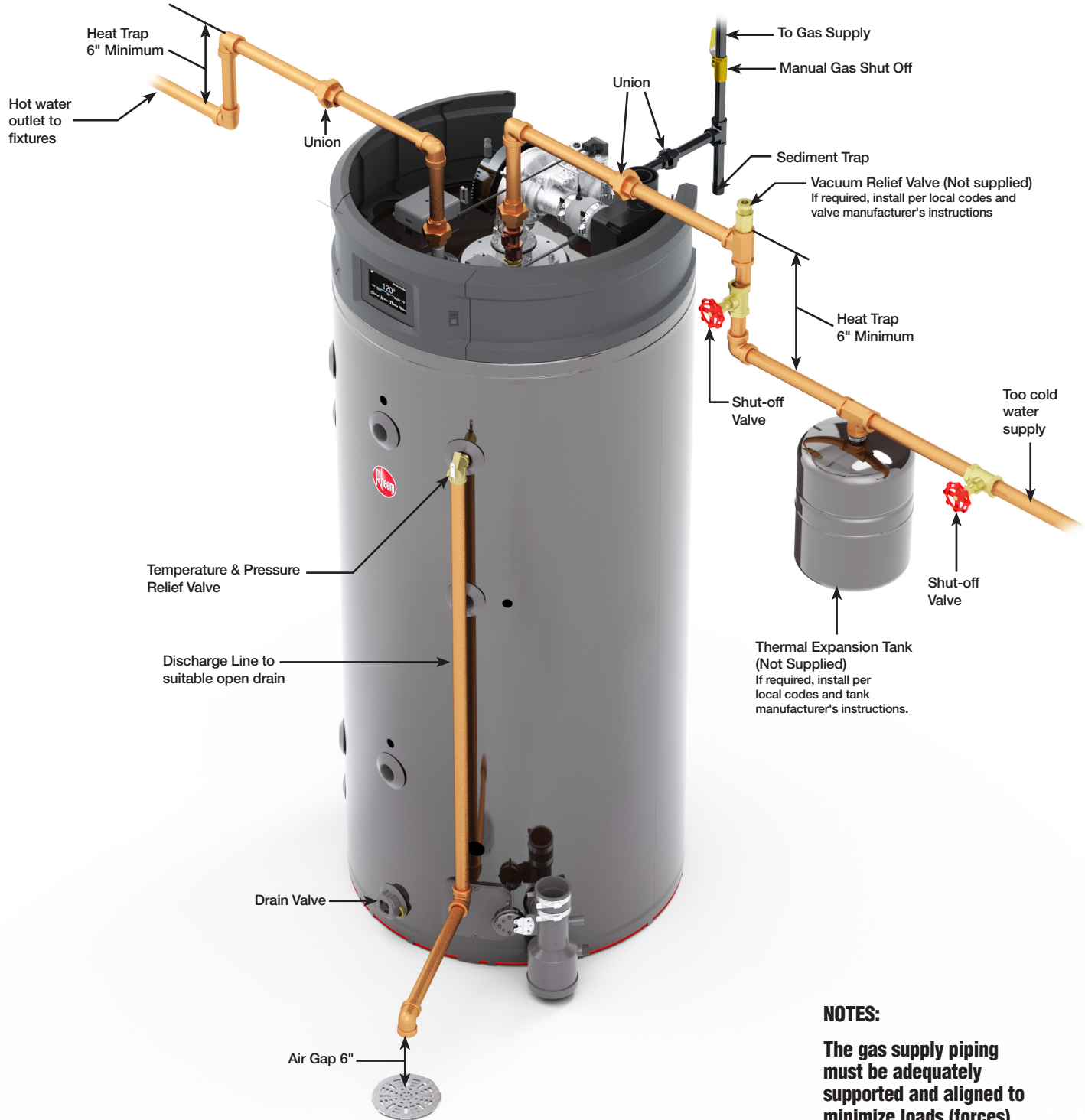
Failure to install a water heater suitable for the altitude at the location it is intended to serve, can result in improper operation of the appliance resulting in property damage and/or producing carbon monoxide gas, which could result in personal injury, or death.

WIRING

A Correct polarity 120V 50/60 Hz power supply with suitable disconnect means, must be connected to the black and white leads provided. The maximum current draw by these models is 7 Amps. The water heater, when installed, must be electrically grounded in accordance with local codes or, in the absence of local codes, with the National Electrical Code, ANSI/NFPA 70 in the United States, or CSA C22.1 Electrical Code, in Canada. Improper grounding or polarity may result in abnormal operation of the heater.

INSTALLATION

TYPICAL INSTALLATION

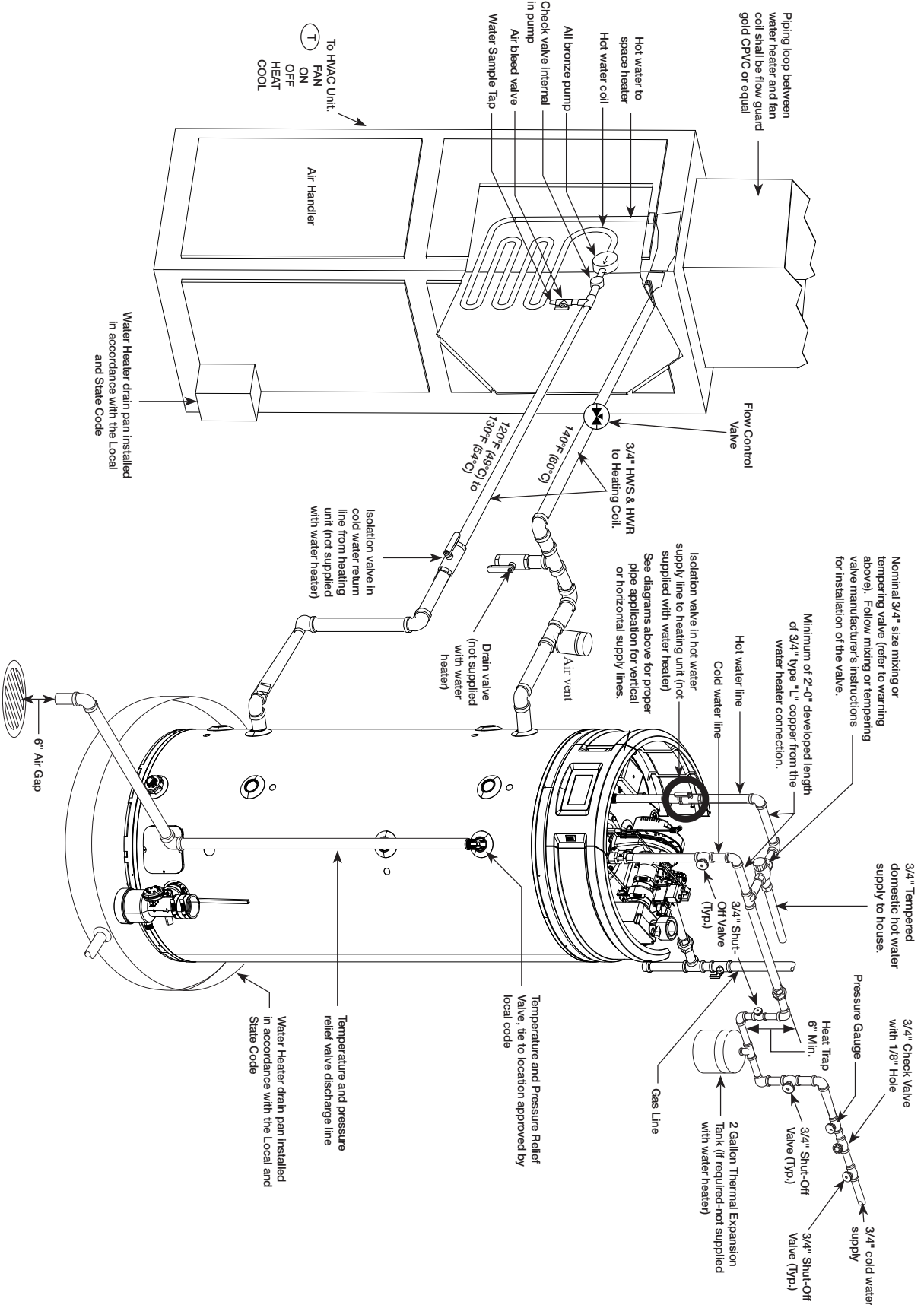


NOTES:

The gas supply piping must be adequately supported and aligned to minimize loads (forces) on the water heater's gas valve and burner system.

INSTALLATION

TYPICAL PIPING DIAGRAM FOR COMBINATION POTABLE/SPACE HEATING INSTALLATION'



INSTALLATION

VENT AND COMBUSTION AIR INLET

NOTE: This unit can be vented either as a direct vent or power vent configuration.

NOTE: Power vent installations are Category IV.

⚠ WARNING:

DO NOT connect this water heater to an existing vent or chimney; it must be vented separately from all other appliances, using only approved venting materials.

⚠ WARNING:

Failure to properly vent the water heater to the outdoors as outlined above and in the following section can result in unsafe operation of the water heater causing bodily injury, explosion, fire or death.

⚠ DANGER:

To avoid the risk of fire, explosion, or asphyxiation from carbon monoxide, NEVER operate the water heater unless it is properly vented and the vent and combustion air inlet systems are properly installed as detailed in the "Vent and Combustion Air-Inlet" section of this manual.

The vent and combustion air inlet pipes must overlap a minimum of 1/2 in. (1.3 cm) at each joint. It is important that the vent and combustion air inlet pipes engage fully into any pipe fitting and be kept in that position until the adhesive has fully cured. DO NOT drill or punch holes in the plastic pipe or fittings.

IMPORTANT

Where state and/or local codes require vent terminations, as specified in this Use and Care Manual to be certified to the UL 1738 Standard for Venting Systems for Gas-Burning Appliances, Categories II, III, and IV, contact the Manufacturer's National Service Department (see last page).

NOTICE:

This unit can be vented using only the below recommended pipe material. Use only 2, 3, or 4 inch diameter pipe.

Refer to local codes for restrictions on the use of PVC, CPVC, PP or ABS pipe and fittings. All exhaust venting materials for products installed in Canada must meet ULC-S636.

NOTE: For the State of Massachusetts, use only plastic piping, fittings and vent terminations as specified in the manual which are approved by the Massachusetts Board of State Examiner of Plumbers and Gas for venting of appliances (see link below):

https://licensing.reg.state.ma.us/pubLic/pl_products/pb_pre_form.asp

PVC (DWV, ASTM-D2665 or CSA B181.2)

PVC (Schedule 40, ASTM-D1785 or CSA B137.3)

PVC (SDR Series, ASTM-D2241 or CSA B137.3)

CPVC (CPVC 4120, ASTM-D2846 or CSA B137.6)

CPVC (Schedule 40, ASTM-F441 or CSA B137.3)

CPVC (SDR Series, ASTM-F442)

ABS (Schedule 40, DWV, ASTM-D2661 or CSA B181.1)

ABS (Schedule 40, DWV, Cellular Core, ASTM-F628)

Polypropylene

NOTICE:

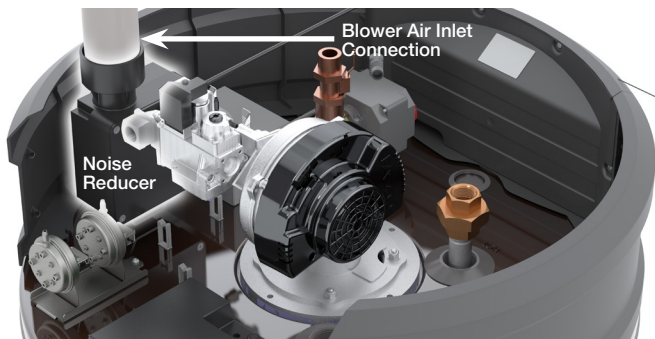
Use of PVC cellular core (ASTM-F891), ABS Schedule 40, DWV cellular core (ASTM -F628), or Radel® (polyphenylsulfone) in non-metallic venting systems is prohibited.

The unit may be vented horizontally through a wall or vertically through the roof. Pipe runs must be adequately supported along both vertical and horizontal runs. Maximum unsupported span is recommended to be no more than 3 feet. It is imperative that the first hanger be located on the horizontal run immediately adjacent to the first 90-degree elbow from the vertical rise or at the blower outlet. The support method used should isolate the vent pipe from floor joists or other structural members to help prevent the transmission of noise and vibration. DO NOT support, pin, or otherwise secure the venting system in a way that restricts the normal thermal expansion and contraction of the chosen venting material.

If the water heater is being installed as a replacement for an existing power vented or power direct vented water heater, a thorough inspection of the existing venting system must be performed prior to any installation work. Verify that the correct materials, as detailed above, have been used and that the minimum or maximum vent length and terminal locations, as detailed in this manual, have been met. Carefully inspect the entire venting system for any signs of cracks or fractures, particularly at the joints between elbows or other fittings and the straight runs of vent pipe. Check the system for signs of sagging or other stresses in the joints as a result of misalignment of any components in the system. If any of these conditions are found, they must be corrected in accordance with the venting instructions in this manual before completing the installation and putting the water heater into service.

Additional installation information for The Commonwealth of Massachusetts is located on the back page of this manual.

VENT PIPE CONNECTION LOCATIONS



VENT PIPE CONNECTION

Refer to "Vent Pipe Connection Locations" Figure, for connecting the vent pipe to the water heater. These models can be vented either as a direct vent or as a power vent water heater.

NOTICE:

If the unit is installed as a power vent water heater, the vent terminal with screen must still be installed on the inlet air side.

Before starting the vent installation, careful planning of the routing and termination of vent and air inlet pipes can reduce installation times. The length of the vent and air inlet pipes should be kept to a minimum. Refer to the venting charts in Table 1 for the pipe sizes and the total equivalent length of pipe that can be used. DO NOT exceed the equivalent length of pipe in the charts.

Depending on the size of pipe selected for venting the water heater, it may be necessary to use a fitting for stepping up to connect to the water heater. DO NOT step down pipe size below the 2" pipe size. All models are shipped with 2" vent terminals with screen. If another size of pipe is used for venting the unit, the proper vent terminal must be installed.

When the unit is vented as a direct vent, through a side wall, the vent terminals must be on the same exterior wall mounted horizontally and maintain a minimum distance between the centers of 15" (38.1 cm).

JOINING PIPES AND FITTINGS

All pipe, fittings, solvent cement, primers, and procedures, must conform to American National Standards Institute and American Society for Testing and Materials (ANSI/ASTM) standards in the U.S. For Canada, all pipe, fittings, solvent cement, primers, and procedures must conform to ULC-S636 and vent manufacture specifications.

CEMENTING JOINTS

NOTICE:

All pipe, fittings, solvent cement, primers and procedures must conform to American National Standards Institute and American Society for Testing and Materials (ANSI/ASTM) standards.

All joints in the vent piping must be properly sealed. Use of the following material is recommended:

PVC materials should use ASTM D-2564 grade cement.

CPVC materials should use ASTM F-493 grade cement.

ABS materials should use ASTM D-2235 grade cement.

(ABS is not allowed in Canada)

Cleaner-Primer and Medium Body Solvent Cement

1. Cut the pipe end square, removing all jagged edges and burrs. Chamfer the end of the pipe, and, then, clean the fitting socket and pipe joint area to remove all dirt, grease, and moisture.
2. After checking pipe and socket for proper fit, wipe the socket and pipe with cleaner-primer. Apply a liberal coat of primer to the inside surface of the socket and the outside of the pipe. DO NOT allow the primer to dry before applying the cement.

INSTALLATION

3. Apply a thin coat of cement evenly in the socket. Quickly apply a heavy coat to the pipe end. Insert the pipe into the fitting with a slight twisting motion until it bottoms out.

NOTICE:

Cement must be fluid; if not, re-coat.

4. Hold the pipe fitting for 30 seconds to prevent the tapered socket from pushing the pipe out of the fitting.
5. Wipe all excess cement from the joint with a rag. Allow 15 minutes for drying before handling. Cure time will vary according to fit, temperature, and humidity.

NOTICE:

Stir the solvent cement frequently while using. Use a natural bristle brush or the dauber supplied with the can. The proper brush size is one inch.

FOR PROPER INSTALLATION

⚠ CAUTIONS:

- **DO NOT** use solvent cement that has become curdled, lumpy or thickened.
- **DO NOT** thin solvent cement. Observe shelf precautions printed on the containers.
- For applications below 32°F (0°C), use only low temperature type solvent cement.
- Appropriate solvent and cleaner must be used for the type of vent pipe used (PVC, CPVC, PP, or ABS).

DANGER OF FIRE OR BODILY INJURY

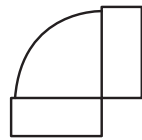
Solvent cements and primers are highly flammable. Provide adequate ventilation and do not assemble near a heat source or open flame. **DO NOT** smoke. Avoid skin or eye contact. Observe all cautions and warnings on material containers.

Additional Fitting Considerations

EXAMPLES OF ELBOWS:

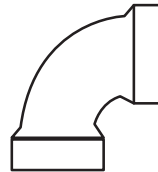
It is recommended to use only standard and/or long sweep elbows. See examples as shown.

10 Feet Equivalent Length



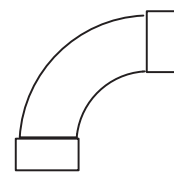
Short Sweep 90° Elbow

8 Feet Equivalent Length



Standard 90° Elbow

5 Feet Equivalent Length



Long Sweep 90° Elbow

Minimum and Maximum Vent Lengths

Important information for all installations:

- 1) The minimum required venting is what is required to safely extend the inlet and outlet vent pipes outside of the building.
- 2) Each 90° elbow (standard or long sweep elbow) reduces the equivalent vent length as shown.
- 3) Each 45° elbow reduces the equivalent vent length by 2 1/2 feet (0.8m).
- 4) **DO NOT** mix pipe sizes for venting these models, use only one size of pipe for all venting.
- 5) All vent terminations (horizontal or vertical) should be a minimum of 24 inches (61cm) and a maximum of 36 inches (91 cm) apart, as measured from center to center of terminals.

Exceeding the maximum equivalent vent lengths may cause the water heater to malfunction or cause a lock-out condition.

Feet	to	Meters
20		6.1
50		15.2
60		18.3
70		21.3
80		24.4
100		30.5
120		36.6
130		39.6
170		51.8

Commercial Equivalent Vent Lengths

50G-76K, 50G-100K, 75G; POWER VENT CONFIGURATION; (RIGID PIPE)				50G-76K, 50G-100K, 75G; POWER DIRECT VENT CONFIGURATION; (RIGID PIPE)				Terminations
Elevation (Feet)	Vent Size (Inches)	Nat Max Eq. Length (Feet)	LP Max Eq. Length (Feet)	Nat Max Eq. Length(Feet)		LP Max Eq. Length (Feet)		
				Intake	Exhaust	Intake	Exhaust	
0-10,100	2"	40'	40'	40'	40'	40'	40'	2" AND 3" 90° ELBOWS, 2", 3" AND 4" CONCENTRIC AND 2"AND 3" PANCAKE
	3"	140'	140'	140'	140'	140'	140'	
	4"	140'	140'	140'	140'	140'	140'	

MINIMUM INTAKE AIR AND EXHAUST VENT: 10' EQUIVALENT LENGTH

NOTE: The intake and exhaust connections are set-up with 2" Schedule 40 pipe size. An adapter may be used to increase pipe size to 3" and 4" along the length of the vent and air intake. Vent and air intake pipes should always be set-up to the same size. The vent length calculations should be based upon termination size.

All power direct models can use 2 in. concentric venting only as listed in the above chart.

2 inch concentric vent can only be used with 2 inch rigid piping.

DO NOT mismatch concentric vent terminations with different rigid piping as it may cause the heater to malfunction or cause a lock-out condition unless specifically mentioned.

3" Concentric vent may be used with 3" and 4" venting.

Flexible Polypropylene pipe (ft)				
Pipe Size (IN.)	2"		3"	
	Intake	Exhaust	Intake	Exhaust
Max PV	0	30' (13m)	0	30' (13m)

Follow manufacturers instructions for installation of flex vents.

INSTALLATION

Direct Vent Installation

Check to make sure flue gases **DO NOT** recirculate into the air intake terminal when using direct venting. If the water heater is having service issues, flue recirculation may be a contributing factor.

Even when the minimum vent terminal separation distances are followed, recirculation may still occur, depending upon the location outside the building, the distance from other buildings, proximity to corners, weather conditions, wind patterns, and snow depth.

Periodically check to make sure that flue recirculation is not occurring. Signs of flue gas recirculation include frosted or frozen intake terminals, condensate in the intake terminal and venting system, oxidation, or white chalk material on the flame sensor or igniter shield. Correction to flue recirculation may involve angling the intake away from the exhaust terminal, increasing the distance between them, or using inside air for combustion. Check to be sure the intake and exhaust terminals are not obstructed, especially during periods of below freezing weather.

All intake and exhaust venting components must have the same diameter size. **DO NOT** use a different size on the intake and exhaust venting.

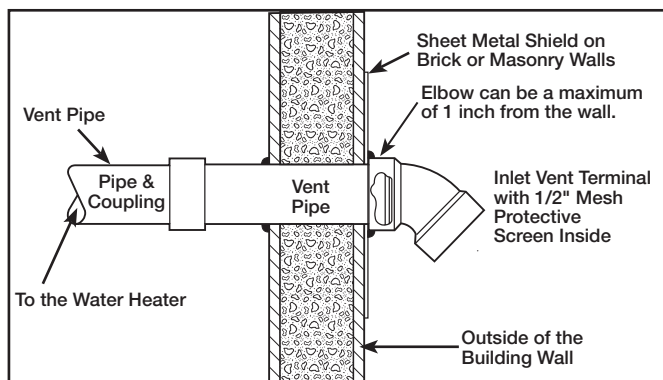
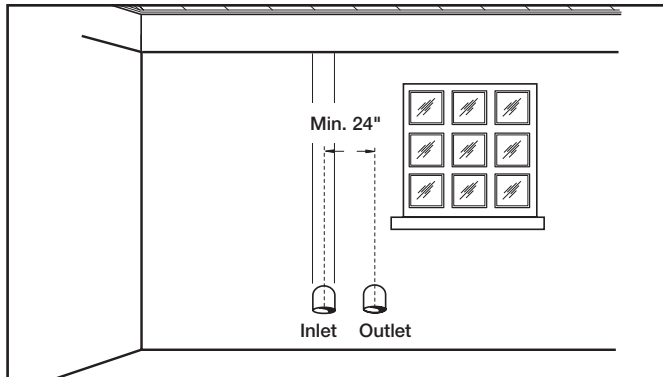
Be sure the condensate runs freely to a drain and does not accumulate inside the water heater. In cold climates, precautions may need to be taken to insure that the condensate drain does not freeze. Make sure the condensate trap or drain loop is installed to prevent flue gases from being discharged into the room. Refer to the "Venting" section of this manual for complete instructions on venting and condensate drainage.

Stress levels in the pipe and fittings can be significantly increased by improper installation. If rigid pipe clamps are used to hold the pipe in place, or if the pipe cannot move freely through a wall penetration, the pipe may be directly stressed, or high thermal stresses may be formed when the pipe heats up and expands. Install accordingly to minimize such stresses. Follow the below procedure to vent through the wall.

1. Cut two holes for the pipe to pass through. The hole diameter should be 2.5" (6.4 cm) for 2" pipe, 3.5" (8.9 cm) for 3" pipe. Vent terminals must maintain a horizontal distance apart in the range of 24" min. (61 cm).
2. Use the proper PVC cement (primer and adhesive) to secure the exhaust vent and air intake terminals provided with the water heater to the plastic pipes. The distance between the back edge of the exhaust vent terminal and the exterior wall must be 6 inches (12.7 cm) more for the exhaust vent terminal than the air intake terminal. Use the proper cement or sealant and assembly procedures to secure the vent connector joints between the terminal and the blower outlet. Provide support brackets every 3 feet (.91 m) of horizontal vent beyond the intake terminal.

INSTALLATION

TYPICAL HORIZONTAL VENT INSTALLATION



Additional considerations in the following pages.

DO NOT install vent terminals under any patio or deck.

To help prevent moisture from freezing on walls and under eaves, **DO NOT** locate outlet vent terminal on the side of your home with prevailing winter winds.

DO NOT terminate vent pipe directly on brick or masonry surfaces. Use a rust-resistant sheet metal backing plate behind vent. (See Figure above.)

DO NOT locate vent terminal too close to shrubbery, since flue gases may damage them.

Caulk all cracks, seams and joints within 6 feet (1.83 m) of vent terminal.

All painted surfaces should be primed to lessen the chance of physical damage. Painted surfaces will require maintenance.

Make sure that all vent pipes exposed to cold conditions (attics, crawl spaces, etc.) have the proper slope and support to keep moisture from accumulating in the vent pipes. **NOTE:** Insulating of non-metallic vent materials is prohibited.

This water heater requires its own separate venting system. **DO NOT** connect the exhaust vent to an existing vent pipe or chimney.

Moisture in the flue gas will condense as it leaves the vent terminal. In cold weather this condensate can freeze on the exterior wall, under the eaves, and on surrounding objects. Some discoloration to the exterior of the building is to be expected; however, improper location or installation can result

in severe damage to the structure or exterior finish of the building. In locations with extended amounts of time with temperatures under 40°F. (4°C.) and/or prevailing wind toward the outlet vent, make sure that the outlet vent terminal is at least 2 feet (0.61 m) away from anything that can be damaged by the condensate.

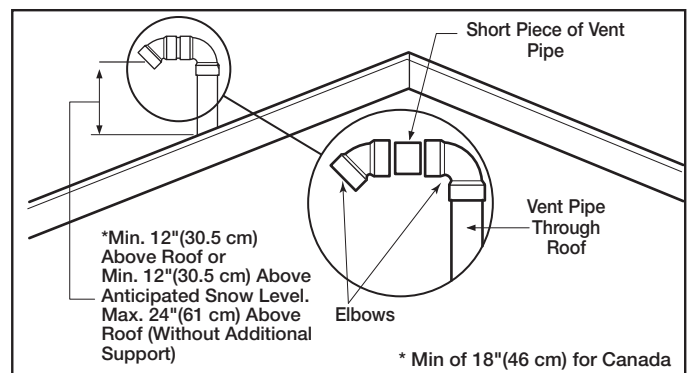
HORIZONTAL VENT INSTALLATION

Once the vent terminal location has been determined, make a hole through the exterior wall to accommodate the vent pipe. The vent pipe must exit the exterior wall horizontally only (See Typical Horizontal Vent Installation Figure on this page).

Insert a small length of vent pipe through the wall, and connect the coupling as shown in Typical Horizontal Vent Installation Figure. Connect the vent terminal as shown to the vent pipe on the exterior of the building. Seal any opening around the vent pipe or fittings with mortar or silicone caulk as shown in Typical Horizontal Vent Installation Figure.

Complete the rest of the vent pipe installation to the water heater's vent connector fitting on the blower outlet. If necessary, support the horizontal run of pipe as previously mentioned.

VERTICAL VENT TERMINAL LOCATION



VERTICAL VENT INSTALLATION

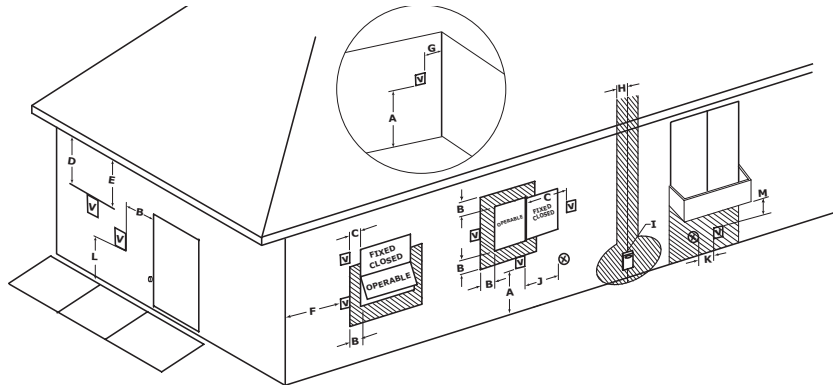
Once the vent terminal location has been determined, make a hole through the roof and interior ceiling to accommodate the vent pipe. Complete the vent pipe installation to the water heater's vent connector fitting on the blower outlet. Support vertical or horizontal runs as previously mentioned.

Install adequate flashing where the vent pipe passes through the roof. Determine the vent terminal height and cut the vent pipe accordingly. Refer to Vertical Vent Terminal Location Figure for the proper vent terminal height. Connect the vent elbow onto the vertical pipe through the roof. Connect a short piece of vent pipe (approximately 3" (7.6 cm) long) to the elbow, and, then, join the vent terminal to the short piece of vent pipe.

INSTALLATION

Follow local or National gas codes or latest edition of CAN/CSA B149 and Propane installation code.

Direct Vent Terminal Clearances



✓ VENT TERMINAL
 X AIR SUPPLY INLET
 ▨ AREA WHERE TERMINAL IS NOT PERMITTED
HORIZONTAL VENT TERMINAL LOCATION FOR POWER DIRECT VENT

The following information should be used for determining the proper location of the vent terminal for direct vent water heaters.

	Canadian Installations ¹	US Installations ²
A= Clearance above grade, veranda, porch, deck or balcony.	12 inches (30 cm)	12 inches (30 cm)
B= Clearance to window or door that may be opened.	<ul style="list-style-type: none"> • 6 in (15 cm) for appliances < 10,000 Btuh (3 kW), • 9 in (23 cm) for appliances > 10,000 Btuh (3 kW) and < 50,000 Btuh (15 kW), • 12 in (30 cm) for appliances > 50,000 Btuh (15 kW) 	<ul style="list-style-type: none"> • 6 in (15 cm) for appliances < 10,000 Btuh (3 kW), • 9 in (23 cm) for appliances > 10,000 Btuh (3 kW) and < 100,000 Btuh (30 kW), • 36 in (91 cm) for appliances > 100,000 Btuh (30 kW)
C= Clearance to permanently closed window.	0 in (0 cm)	0 in (0 cm)
D= Vertical Clearance to ventilated soffit located above the terminal within a horizontal distance of 2 feet (61 cm) from the center line of the terminal.	12 in (30 cm)	12 in (30 cm)
E= Clearance to unventilated soffit.	12 in (30 cm)	12 in (30 cm)
F= Clearance to outside corner.	24 in (61 cm)	24 in (61 cm)
G= Clearance to inside corner.	18 in (46 cm)	18 in (46 cm)
H = Clearance to each side of center line extended meter/regulator assembly. above	3 ft (91 cm) within a height of 15 ft (4.6 m)	3 ft (91 cm) within a height of 15 ft (4.6 m)
I = Clearance to service regulator vent outlet.	3 ft (91 cm)	3 ft (91 cm)
J = Clearance to nonmechanical air supply inlet to the building or the combustion air inlet of any other appliance..	<ul style="list-style-type: none"> • 6 in (15 cm) for appliances < 10,000 Btuh (3 kW), • 9 in (23 cm) for appliances > 10,000 Btuh (3 kW) and < 100,000 Btuh (30 kW), • 36 in (91 cm) for appliances > 100,000 Btuh (30 kW) 	<ul style="list-style-type: none"> • 6 in (15 cm) for appliances < 10,000 Btuh (3 kW), • 9 in (23 cm) for appliances > 10,000 Btuh (3 kW) and < 50,000 Btuh (15 kW), • 12 in (30 cm) for appliances > 50,000 Btuh (15 kW)
K = Clearance to mechanical air supply inlet.	6 ft (1.83 m)	3 ft (91 cm) above if within 10 ft (3 m) horizontally
L = Clearance above paved side walk or paved driveway located on public property.	7 ft (2.13 m)	7 ft (2.13 m) for mechanical draft system (Category I appliances); vents for Category II and IV appliances cannot be located above public walkways or other areas where condensate or vapor can cause a nuisance or hazard
M = Clearance under veranda, porch, deck or balcony.	12 in (30 cm) ‡	12 in (30 cm)*

¹ In accordance with the current CSA B149.1, Natural Gas and Propane Installation Code

² In accordance with the current ANSI Z223.1/ NFPA 54 National Fuel Gas Code.

‡ Permitted only if veranda, porch, deck, or balcony is fully open on a minimum of two sides beneath the floor.

* Permitted only if veranda porch, deck, or balcony is fully open on a minimum of two sides beneath the floor.

Follow local or National gas codes or latest edition of ANSI standard Z223.1 or CAN/CSA B149 and Propane installation code

- **DO NOT** terminate near soffit vents or crawl space or other area where condensate or vapor could create a nuisance hazard or cause property damage.
- **DO NOT** locate the exhaust vent terminal where condensate or vapor could cause damage or could be detrimental to the operation of regulators, relief valves, or other equipment.
- **DO NOT** locate the exhaust vent terminal over public area or walkways where condensate or vapor can cause nuisance or hazard.
- **DO NOT** locate the vent termination in proximity to plants/shrubs.

VENT INSTALLATION – Before proceeding, make certain you understand the procedure and cautions covered in the section “Joining Pipes and Fittings.”

POWER VENT INSTALLATION – Power venting is where the indoor air is used and the exhaust is vented to the outside. Venting may be run horizontally through an outside wall or vertically through a roof through using either 2" (5.1 cm), 3" (7.6 cm), 4" (10.2 cm) diameter PVC, ABS, CPVC or PP. This water heater is supplied with a screened intake elbow and exhaust coupling referred to as the air intake terminal and the exhaust vent terminal.

NOTE: Flexible PP vent kit is available for Power Vent configurations, in 2" and 3" diameters. These kits should be used for vertical venting only.

NOTICE:

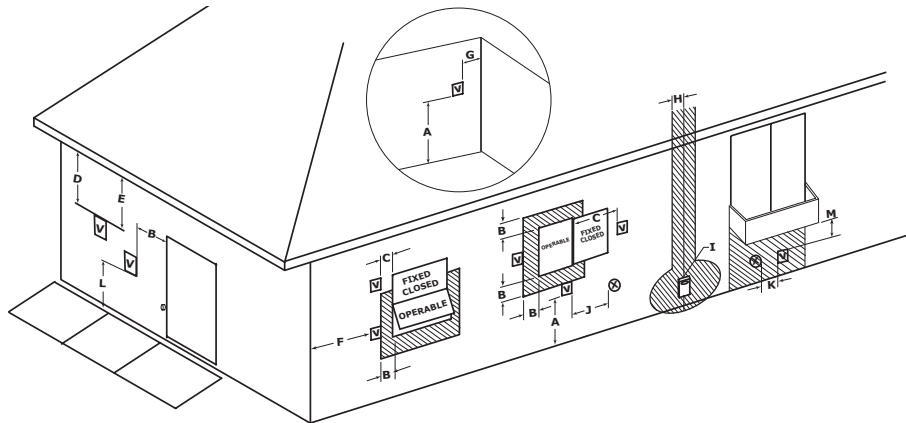
Use of PVC cellular core (ASTM-F891), ABS Schedule 40 DWV cellular core (ASTM –F628), or Radel® (polyphenylsulfone) in non-metallic venting systems is prohibited.

In a horizontal application, it is important that condensate not be allowed to buildup in the exhaust vent pipe. To prevent this from happening, the pipe should be installed with a slight upward slope of ¼" per foot. The vent system must be supported every 5 feet of vertical run and every 3 feet of horizontal run of vent pipe length.

Failure to properly support the vent piping with hangers and clamps may result in damage to the water heater or venting system.

INSTALLATION

Power Vent Terminal Clearances



V VENT TERMINAL
 X AIR SUPPLY INLET
 AREA WHERE TERMINAL IS NOT PERMITTED

HORIZONTAL VENT TERMINAL LOCATION FOR POWER VENT

The following information should be used for determining the proper location of the vent terminal for direct vent water heaters.

	Canadian Installations ¹	US Installations ²
A= Clearance above grade, veranda, porch, deck or balcony.	12 inches (30 cm)	12 inches (30 cm)
B= Clearance to window or door that may be opened.	6 inches (15 cm) for appliances ≤ 10,000 Btuh (3 kW), 12 inches (30 cm) for appliances > 10,000 Btuh (3kW) and ≤ 100,000 Btuh (30kW), 36 inches (91 cm) for appliances > 100,000 Btuh (30kW).	4 feet (1.2 m) below or to side of opening; 1 foot (300 mm) above opening.
C= Clearance to permanently closed window.	0 in (0 cm)	0 in (0 cm)
D= Vertical Clearance to ventilated soffit located above the terminal within a horizontal distance of 2 feet (61 cm) from the center line of the terminal.	12 in (30 cm)	12 in (30 cm)
E= Clearance to unventilated soffit.	12 in (30 cm)	12 in (30 cm)
F= Clearance to outside corner.	24 in (61 cm)	24 in (61 cm)
G= Clearance to inside corner.	18 in (46 cm)	18 in (46 cm)
H = Clearance to each side of center line extended meter/regulator assembly above	3 feet (91 cm) within a height 15 feet (4.57 m) above the meter/regulator assembly.	3 ft (91 cm) within a height of 15 ft (4.6 m)
I = Clearance to service regulator vent outlet.	3 feet (91 cm)	3 ft (91 cm)
J = Clearance to nonmechanical air supply inlet to building or the combustion air inlet to any other appliance..	6 inches (15 cm) for appliances ≤ 10,000 Btuh (3 kW), 12 inches (30 cm) for appliances > 10,000 Btuh (3kW) and ≤ 100,000 Btuh (30kW), 36 inches (91 cm) for appliances > 100,000 Btuh (30kW).	4 feet (1.2 m) below or to side of opening; 1 foot (300 m) above opening.
K = Clearance to mechanical air supply inlet.	6 feet (1.83 m)	3 feet (91 cm) above if within 10 feet (3 m) horizontally.
L = Clearance above paved side walk or paved driveway located on public property.	7 feet (2.13 m)+	7 feet (2.13 m)+
M = Clearance under veranda, porch, deck or balcony.	Not Allowed	Not Allowed

¹ In accordance with current CAN/CSA-B149.1 Installation Codes.

² In accordance with current ANSI Z223.1/ NFPA 54 National Fuel Gas Code.

+ A vent shall not terminate directly above a sidewalk or paved driveway that is located between two single family dwellings and serves both dwellings.

* "Clearance in accordance with local installation codes and the requirements of the gas supplier."

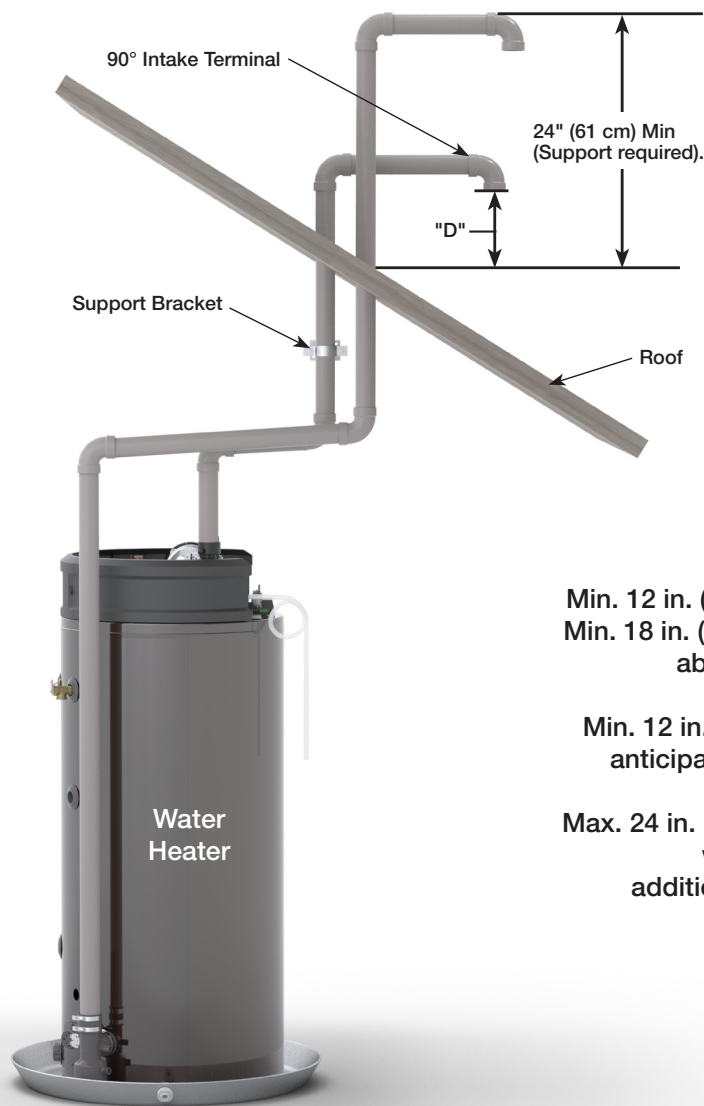
Typical Horizontal Direct Vent System



- Connect 1/2 in. I.D., flexible, PVC (or equivalent material), clear tubing to the drain port.
NOTICE: The tubing must be of sufficient length to reach a floor drain, outside the building or other required condensate disposal termination requirements (Refer to local codes).
- Loop the drain tube so that it has a circular trap and secure the top and bottom of the loop with wire ties or plastic zip ties as shown. **DO NOT** restrict any portion of the drain tube. The loop and all sections of the tube must not be restricted or collapsed.
- Fill drain tube to prevent combustion gases from venting into the home.
- Route the drain tube to a floor drain or outside the building or refer to local codes for any condensation requirements.

INSTALLATION

Typical Vertical Direct Vent System Installation

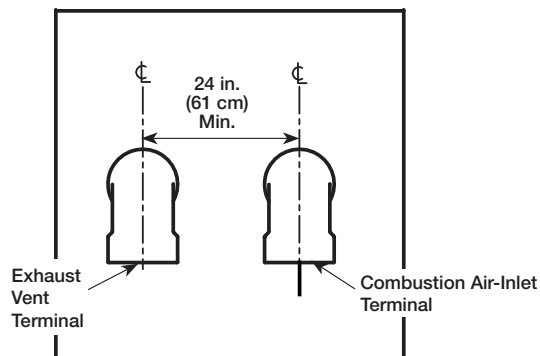


Min. 12 in. (30 cm) for US and
Min. 18 in. (46 cm) for Canada
above Roof

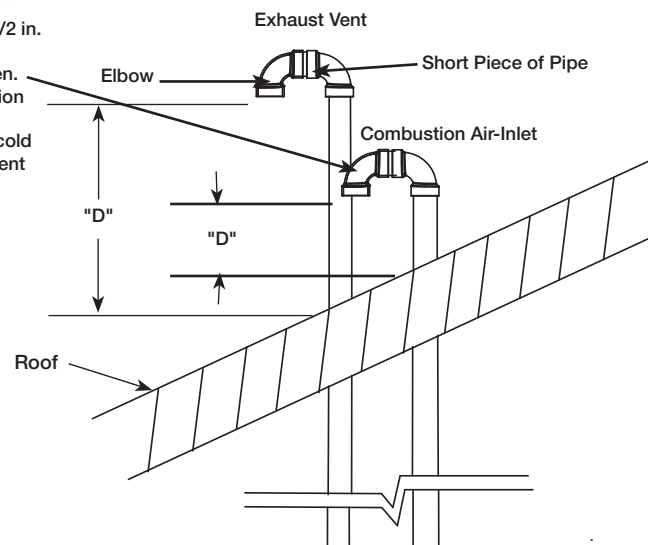
Min. 12 in. (30.5 cm) above
anticipated snow level

Max. 24 in. (61 cm) above roof
without
additional support)

Terminals spacing for horizontal or vertical venting.

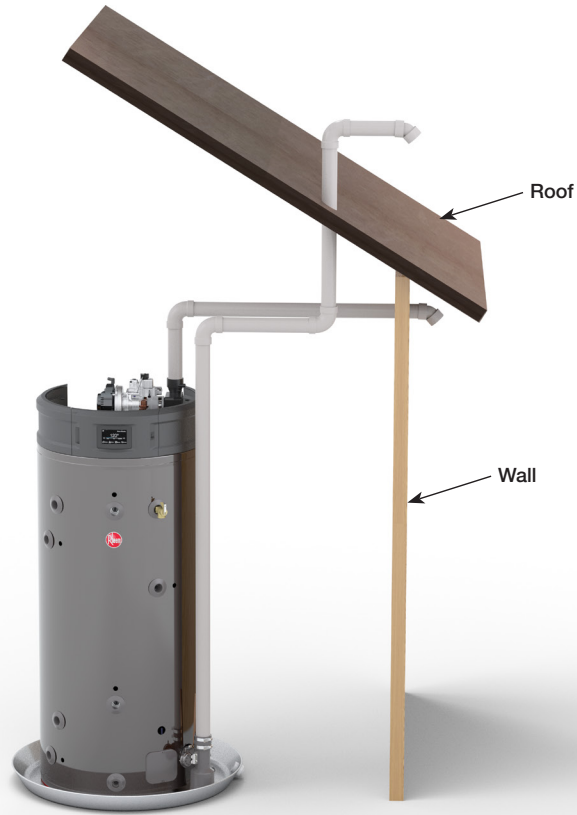


Terminals with 1/2 in. (1.3 cm) Mesh Protective Screen. Exercise discretion in using protective screens in cold climates to prevent formation of ice

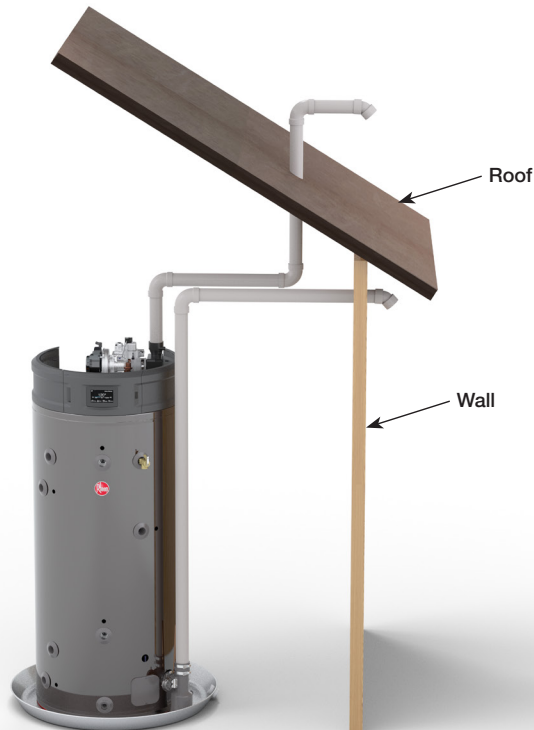


INSTALLATION

Direct Vent Vertical Vent Horizontal Intake

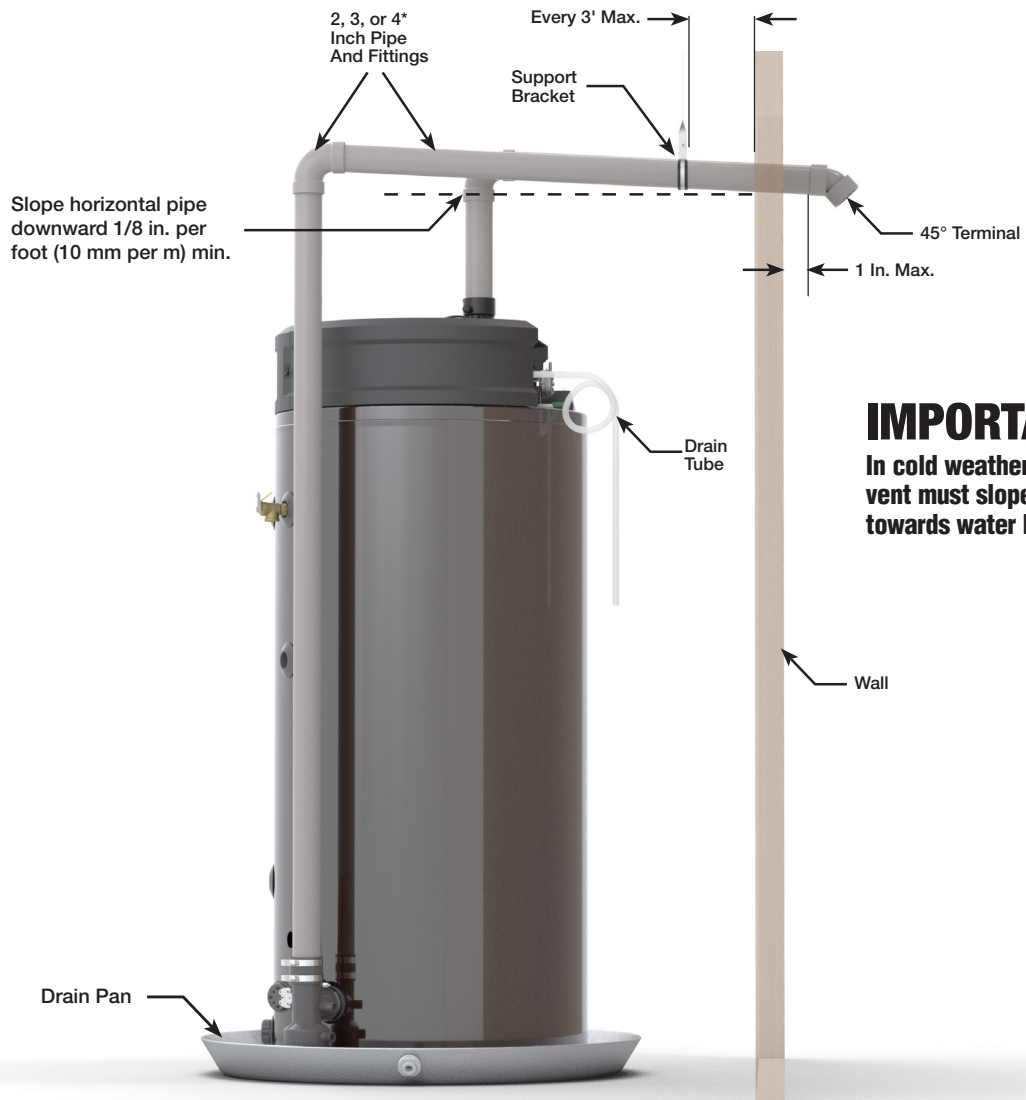


Direct Vent Horizontal Vent Vertical Intake



INSTALLATION

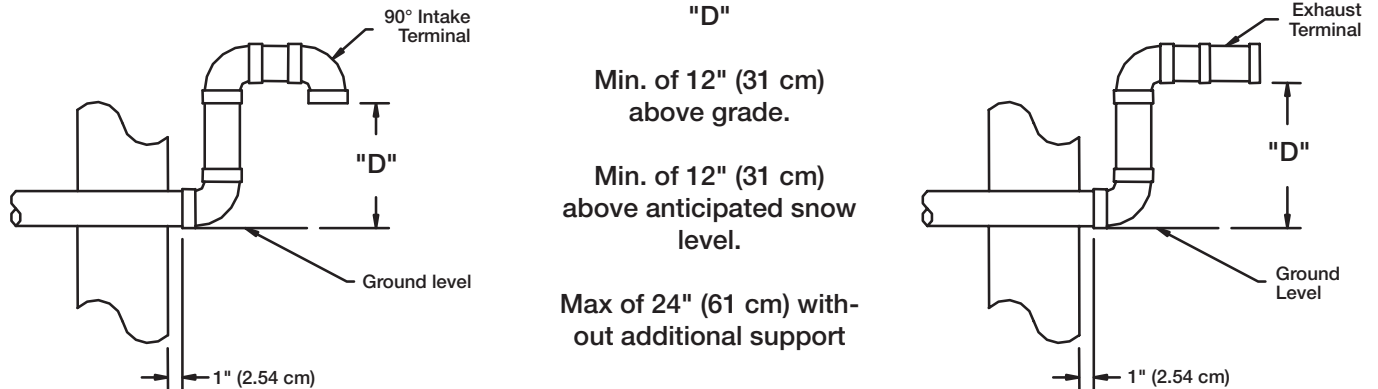
Typical Horizontal Power Vent System



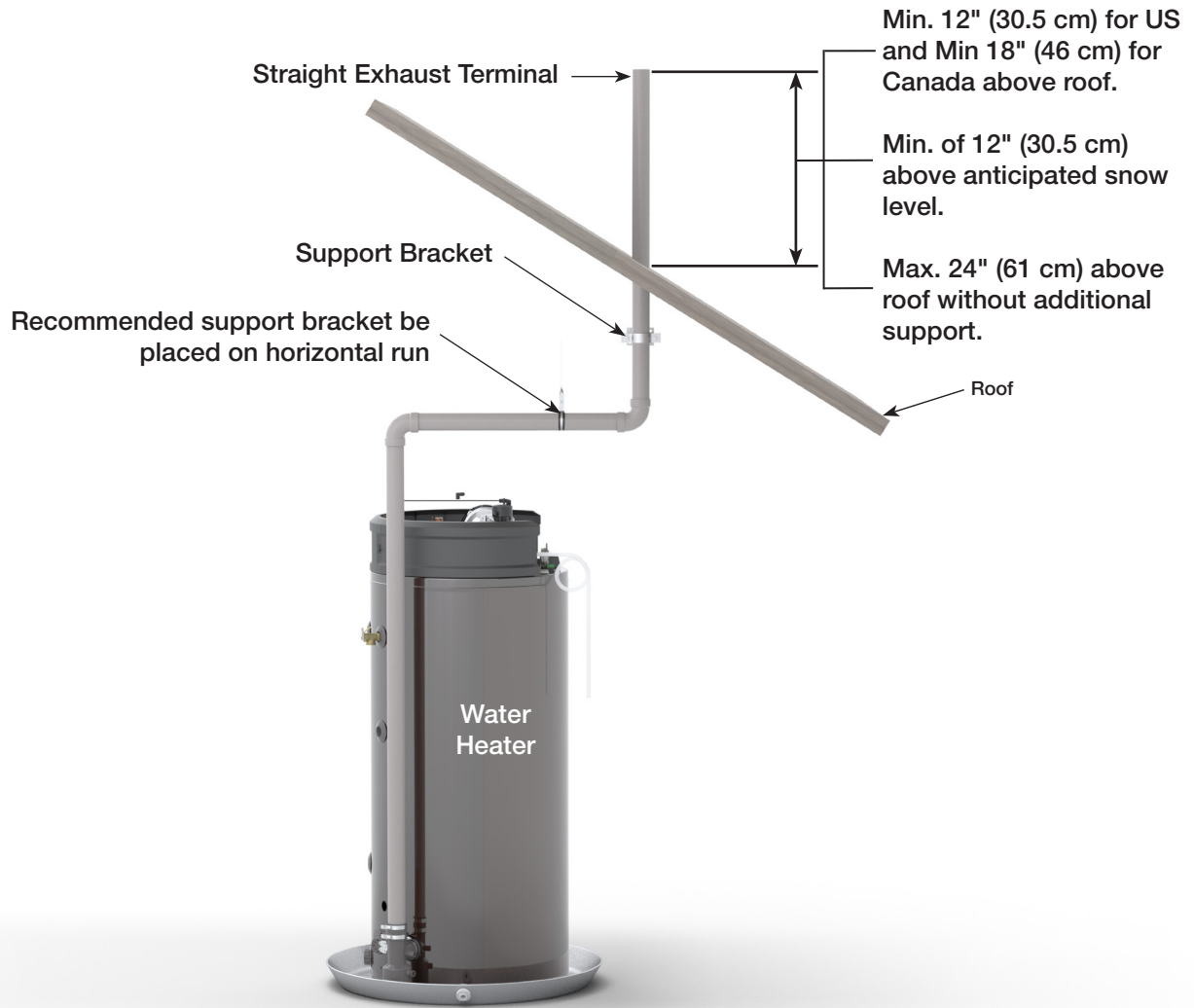
IMPORTANT:
In cold weather climates vent must slope back towards water heaters.

THROUGH THE WALL VENTING WITH LOW GROUND CLEARANCE:

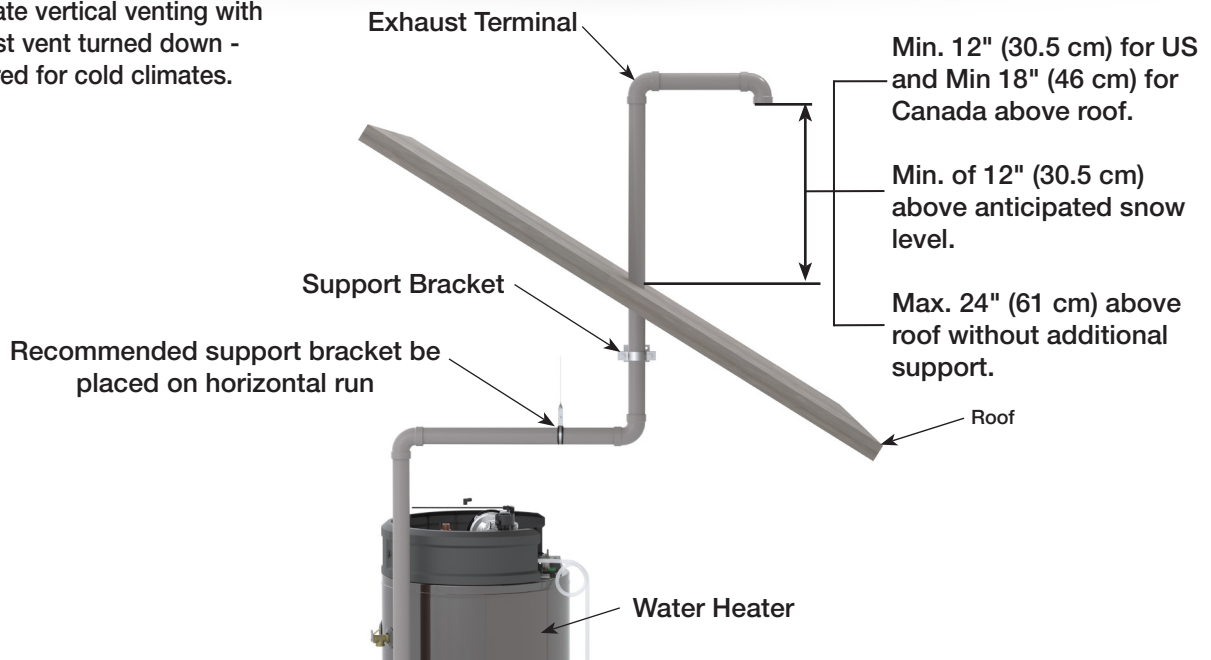
When venting cannot exit through the wall at a height greater than or equal to 12" (30.5 cm) (and above expected snow level) from the ground, then the installation must be modified as shown below.



Typical Vertical Power Vent System Installation



Alternate vertical venting with exhaust vent turned down - preferred for cold climates.



INSTALLATION

Concentric Vent Terminal Installation

PROCEDURE

Improper installation, adjustment, service, or maintenance can cause property damage, personal injury, or death. Consult a qualified installer, service agency, or gas supplier for information or assistance.

This kit must be used only for terminating this water heater. **DO NOT** use this termination kit for any other appliance. Using this kit on other appliances and/or water heaters can result in property damage, personal injury, or death.

NOTICE:

Concentric vent kit requires that the joints be cemented.

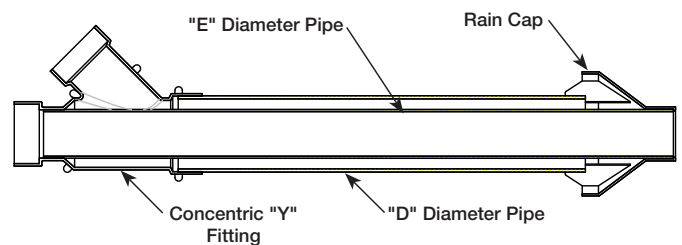
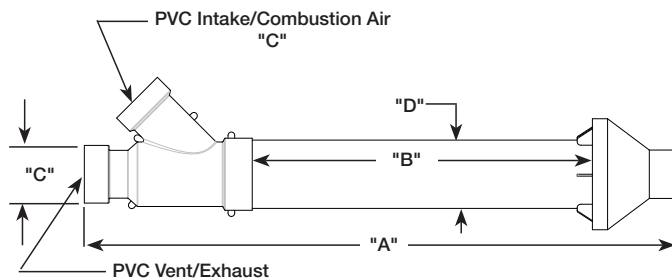
⚠ CAUTION:

DO NOT operate this water heater with the rain cap removed or recirculation of combustion products may occur. Water may also collect inside larger combustion-air pipe and flow to the burner assembly. Failure to follow this warning could result in product damage, improper operation, personal injury or death.

DO NOT use field-supplied couplings to extend pipes. Airflow restriction will occur and the water heater pressure switches may cause intermittent problems.

Nominal PVC Dimensions				
	"A"	"B"	"C"	"D"
2" Vent Kit	33.5"	17.65"	2.68"	3.5"
3" Vent Kit	39.5"	22.38"	3.83"	4.5" *
4" Vent Kit	53.75"	34.8"	4"	6"

*Hole size for nominal 4" PVC would be 5" (12.7 cm)



Installation:

1. Become familiar with concentric vent kit parts (see chart above).
2. Determine the best location for the termination kit.
3. Cut the recommended diameter hole for the nominal pipe size called out in the charts above – Dim. "D".
4. Partially assemble the vent kit by performing the following:
 - a. Cement concentric Y fitting to larger diameter pipe (see chart above).
 - b. Cement rain cap to smaller diameter pipe (see chart above).

INSTALLATION

⚠ WARNING

These instructions are intended as an aid to qualified service personnel for proper installation, adjustment, and operation of this kit. Read these instructions thoroughly before attempting installation, adjustment, or operation. Failure to follow these instructions can result in improper installation, adjustment, service, or maintenance possibly resulting in fire, electrical shock, property damage, personal injury, or death.

⚠ WARNING:

This kit is to be used only for vent & combustion air-inlet termination for power direct vent gas water heaters. **DO NOT** use this kit to terminate any other type of appliance. Failure to follow this warning could result in fire, personal injury, or death.

LOCATION:

The Concentric Vent & Combustion Air-Inlet Termination Kit can be installed in a horizontal or vertical (roof) orientation. Before installation procedures begin, determine the best location for the termination kit.

IMPORTANT:

When installing the kit, consider the following when choosing a location:

- Kit is positioned where vent gases will not damage nearby structure.
- Kit is positioned so that wind will not cause combustion products, leaves, snow, or other debris to enter the combustion air-inlet.
- Kit is positioned where it will not get damaged by foreign objects.
- Kit is positioned where vent gases will not be inhaled or cause a nuisance.

NOTE: Ensure that the heights of the vent and/or combustion air-inlet openings are at least 12" above the anticipated snow level.

HORIZONTAL INSTALLATION

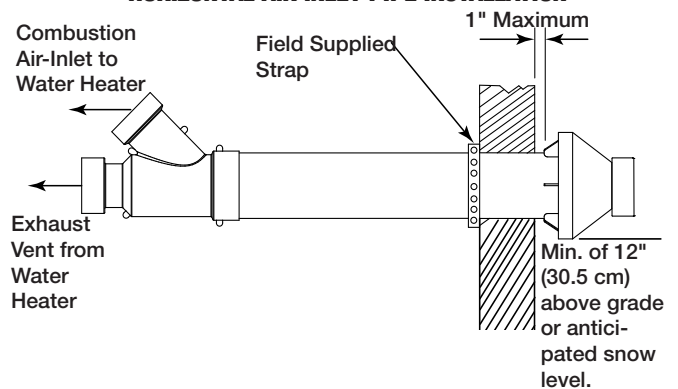
STEP 1:

Cut the proper size opening (see "D" in chart) in the sidewall and install the field supplied weather-seal boot/flashing for PVC pipe.

STEP 2:

From inside, insert the combustion air-inlet pipe through the seal boot so that a maximum of 1" clearance occurs between the outside wall and the rain cap fins (see the following Figure). Ensure that no insulation or debris accumulate in the pipe.

HORIZONTAL AIR INLET PIPE INSTALLATION

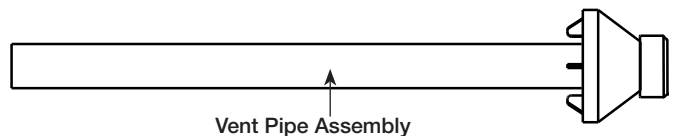


STEP 3:

Secure the combustion air-inlet pipe using a field supplied perforated strap of a suitable type material (see Figure above).

STEP 4:

Assemble the vent pipe assembly by cleaning and cementing the rain cap to the smaller diameter vent pipe.



Note: If field disassembly is desired for cleaning, a stainless steel screw may be used to secure the rain cap to the PVC vent pipe.

⚠ WARNING:

When using the alternate screw method, pre-drill a clearance hole in the rain cap slightly larger than the screw and a pilot hole in the vent pipe to prevent cracking of the PVC pipe. Cracking of the PVC components will cause a failure of the system, allowing combustion products to be recirculated. Failure to follow this warning could result in personal injury or death.

⚠ WARNING:

DO NOT operate the water heater with the rain cap and elbow removed or recirculation of combustion products may occur. The vent and combustion air-inlet systems may also take in water, causing damage to the water heater. Failure to follow this warning could result in damage to the unit, improper operation, personal injury, or death.

STEP 5:

From the outside, slide the vent pipe assembly through the combustion air-inlet pipe and cement the rain cap to the combustion air-inlet pipe. From the inside, cement the "Y" fitting to the combustion air-inlet pipe (refer to Figures in this page).

INSTALLATION

STEP 6:

Complete the installation of the remainder of the vent and combustion air-inlet systems as required in this manual.

VERTICAL INSTALLATION

STEP 1:

Cut a proper size opening (see "D" in chart) in the roof, and install field-supplied weather-seal boot/flashing for the larger PVC pipe.

STEP 2:

From inside, insert the larger diameter combustion air-inlet pipe up through the seal boot, ensuring that no insulation or debris accumulate in the pipe. Ensure termination height is above the 12" minimum clearance to combustion air inlet.

STEP 3:

Secure the combustion air-inlet pipe using a field supplied perforated strap or a suitable type material. (see the Vertical Air Inlet Pipe Installation Figure in this page).

STEP 4:

Assemble the vent pipe assembly by cleaning and cementing the rain cap to the smaller diameter exhaust pipe. Assemble the 90° elbow by cleaning and cementing it to the rain cap. Assemble the field supplied PVC connector and 90° elbow by cleaning and cementing them together as shown in Vertical Air Inlet Pipe Installation Figure on this page. The alternate screw method is not necessary for the field supplied PVC parts.

NOTE: If field disassembly is desired for cleaning, a stainless steel screw may be used to secure the rain cap to the smaller diameter exhaust pipe.

⚠ WARNING:

When using the alternate screw method, pre-drill a clearance hole in the rain cap slightly larger than the screw and a pilot hole in the vent pipe to prevent cracking of the PVC pipe. In a separate location, pre-drill a slightly larger clearance hole in the 90° elbow and a pilot hole in the rain cap for the screw being used at that site. Cracking of the PVC components will cause a failure of the system, allowing combustion products to be recirculated. Failure to follow this warning could result in personal injury or death.

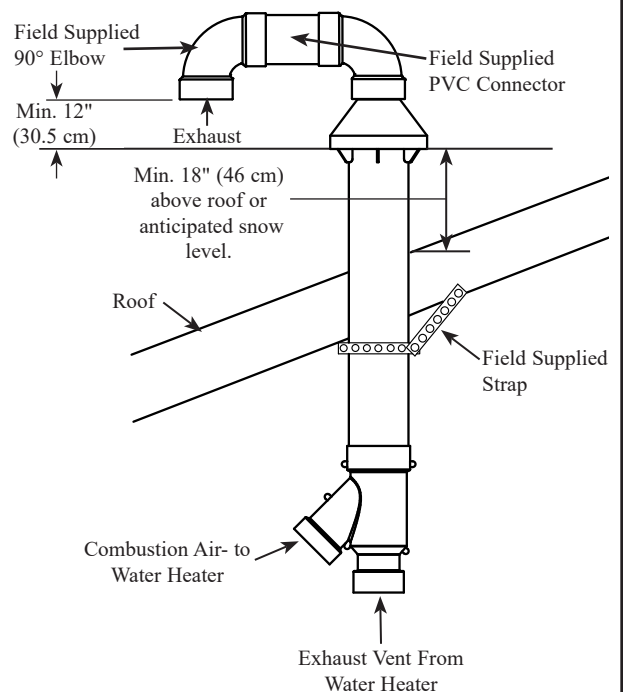
⚠ WARNING:

DO NOT operate the water heater with the rain cap removed or recirculation of combustion products may occur. The vent air pipes may also take in water, causing damage to the water heater. Failure to follow this warning could result in damage to the unit, improper operation, personal injury, or death.

STEP 5:

From the roof top, slide the vent pipe assembly down through the intake pipe and cement the rain cap to the intake pipe. From the inside, cement the "y" fitting to the intake pipe (See Figure below).

VERTICAL AIR INLET PIPE INSTALLATION



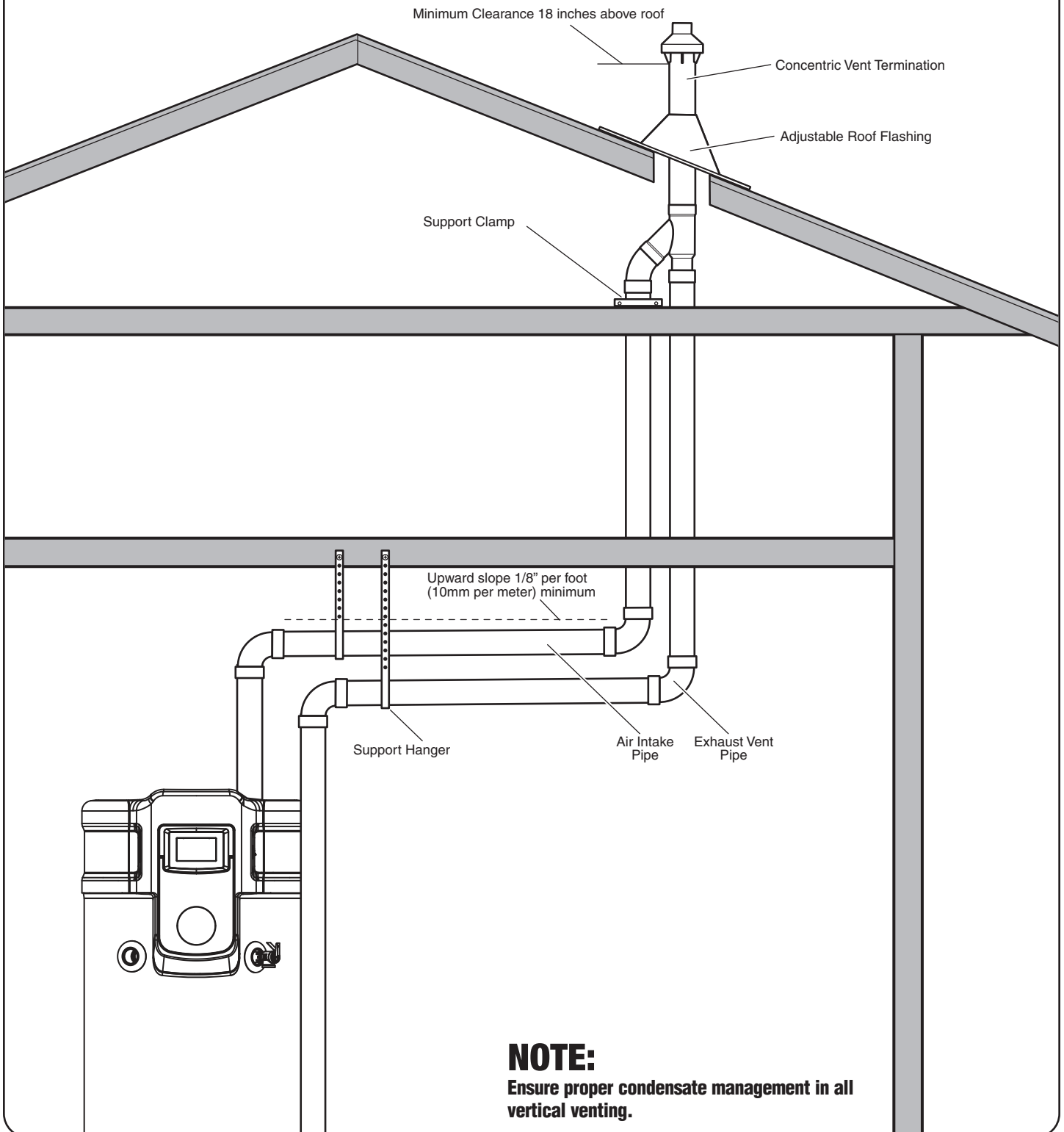
(See next page for more details)

Alternative Vertical Vent Termination

Alternative vertical vent termination kits are commercially available. Please refer to the instruction sheet packaged with the kit for complete installation instructions.

⚠ WARNING:

Under no circumstances should the exhaust pipe and the air intake pipe be connected together.



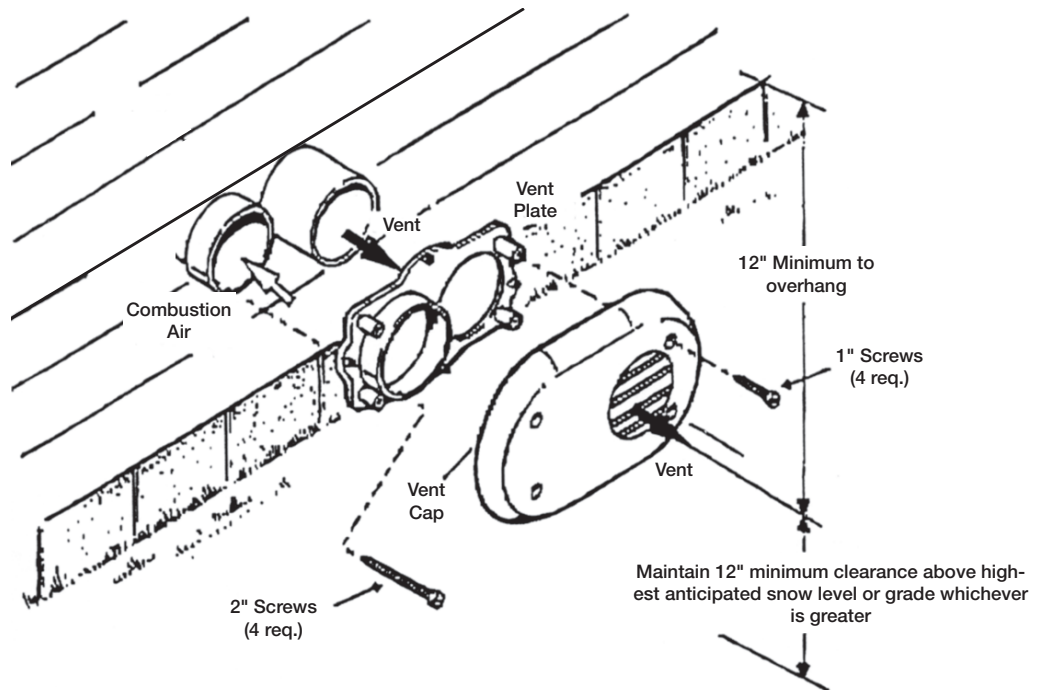
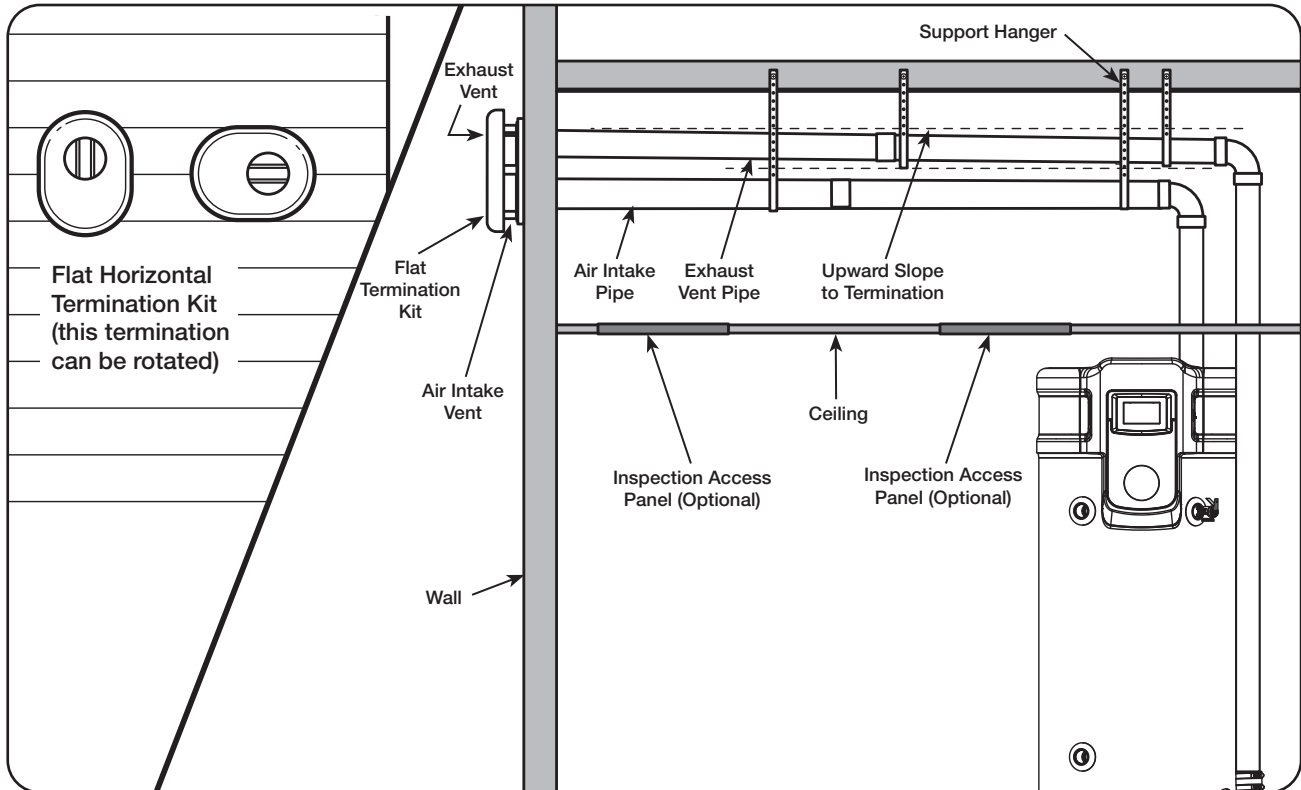
NOTE:

Ensure proper condensate management in all vertical venting.

INSTALLATION

Alternative Horizontal Vent Installations

Alternative flat horizontal vent termination kits are commercially available for 2" and 3" pipes. Refer to the instruction sheet packaged with the kit for complete installation instructions.



INSTALLATION CHECK LIST

A. Water Heater Location

- Close to vent locations
- Located indoors and protected from freezing temperatures
- Proper clearance from combustible surfaces
- Air supply free of corrosive elements and flammable vapors
- Sufficient room to service the heater
- Water heater protected from water damage

B. Water Supply

- Water heater completely filled
- Air purged from water heater and piping
- Water connections tight and free of leak

C. Gas Supply

- Gas line equipped with shut-off valve, union, and sediment trap
- Minimum pipe size 1/2"
- Soap and water solution used to check all connections for gas leaks
- Approved pipe joint compound used

D. Relief Valve

- Discharge line run to open drain
- Discharge line protected from freezing

E. Venting

- Water heater vented separately from all other appliances
- All vent and air intake pipe connections are secure
- Vent and air intake pipes properly supported at regular intervals
- Precaution on taken to avoid moisture damage around vent termination
- Drain tube attached to noise reducer if needed. If not, ensure cap is in place

F. Condensate

- Condensate trap installed and primed.
- Condensate neutralizer installed

G. Wiring

- Correct power supply (120VAC)
- Electrical connections are tight
- Water heater is properly grounded with proper polarity.

Length Pipe Table For U.S. Installations

Maximum Capacity of Pipe in Cubic Feet of Gas per Hour for Gas Pressures of 0.5 psig or Less and a Pressure Drop of 0.3 Inch Water Column
Based on a 0.60 Specific Gravity Natural Gas; If 1.5 Specific Gravity L.P. Gas is used, multiply capacity by 0.63

Nominal Iron Pipe Size Inches	Internal Diameter Inches	Length of Pipe, Feet													
		10	20	30	40	50	60	70	80	90	100	125	150	175	200
1/2	0.622	132	90	73	62	55	50	46	43	40	38	34	31	28	26
3/4	.824	278	190	152	130	115	105	96	90	84	79	72	64	59	55
1	1.049	520	350	285	245	215	195	180	170	160	150	130	120	110	100
1 1/4	1.380	1,050	730	590	500	440	400	370	350	320	305	275	250	225	210
1 1/2	1.610	1,600	1,100	890	760	670	610	560	530	490	460	410	380	350	320
2	2.067	3,050	2,100	1,650	1,450	1,270	1,150	1,050	990	930	870	780	710	650	610
2 1/2	2.469	4,800	3,300	2,700	2,300	2,000	1,850	1,700	1,600	1,500	1,400	1,250	1,130	1,050	980
3	3.068	8,500	5,900	4,700	4,100	3,600	3,250	3,000	2,800	2,600	2,500	2,200	2,000	1,850	1,700
4	4.026	17,500	12,000	9,700	8,300	7,400	6,800	6,200	5,800	5,400	5,100	4,500	4,100	3,800	3,500

For maximum pipe capacity for installations in Canada, refer to CAN/CSA B149.1. For natural gas, refer to Tables A.1 through A.17. For propane (LP) gas, refer to Tables B.1 through B.12.

OPERATION

Before operating this water heater, be sure to read and follow the instructions on the label pictured below and all other labels and warnings on the water heater and printed in this manual. Failure to do so can result in unsafe operation of the water heater resulting in property damage, bodily injury, or death. Should you have any problems reading or understanding the instructions in this manual, STOP, and get help from a qualified person.

FOR YOUR SAFETY READ BEFORE OPERATING

WARNING: If you do not follow these instructions exactly, a fire or explosion may result causing property damage, personal injury or loss of life.

- A. This appliance does not have a pilot. It is equipped with an ignition device which automatically lights the burner. Do not try to light the burner by hand.
- B. BEFORE OPERATING smell all around the appliance area for gas. Be sure to smell next to the floor because some gas is heavier than air and will settle on the floor.
- WHAT TO DO IF YOU SMELL GAS
- Do not try to light any appliance.
 - Do not touch any electrical switch; Do not use any phone in your building.
 - Immediately call your gas supplier from a neighbor's phone, and follow the gas supplier's instructions.
- If you cannot reach your gas supplier, call the fire department.
- C. Use only your hand to turn the gas control knob. Never use tools. If the knob will not turn by hand, don't try to repair it. Call a qualified service technician. Force or attempt to repair may result in a fire or explosion.
- D. Do not use this appliance if any part has been under water. Immediately call a qualified service technician to inspect the appliance and to replace any part of the control system or any gas control which has been under water.

OPERATING INSTRUCTIONS

1. STOP! READ THE SAFETY INFORMATION ABOVE ON THIS LABEL.
2. SET THE "ON/OFF" SWITCH NEXT TO THE CONTROL DISPLAY TO THE "OFF" POSITION.
3. THIS APPLIANCE IS EQUIPPED WITH AN IGNITION DEVICE WHICH AUTOMATICALLY LIGHTS THE BURNER.
4. IF YOU THEN SMELL GAS, STOP! FOLLOW "B" IN THE SAFETY INFORMATION ABOVE ON THIS LABEL. IF YOU DON'T SMELL GAS, GO TO THE NEXT STEP.
5. TURN ON ALL ELECTRICAL POWER TO THE APPLIANCE, WITH THE SWITCH LOCATED TO THE RIGHT OF THE CONTROL DISPLAY.
6. IF THE APPLIANCE WILL NOT OPERATE, FOLLOW THE INSTRUCTIONS "TO TURN OFF GAS TO APPLIANCE".
7. WATER TEMPERATURE ADJUSTMENT IS APPROXIMATELY 120°F. (49°C.) SET THE TO THE DESIRED TEMPERATURE SETTING THERMOSTAT



CAUTION: HOTTER WATER INCREASES THE RISK OF SCALD INJURY. CONSULT THE INSTRUCTION MANUAL BEFORE CHANGING THE TEMPERATURE.

WARNING: TURN OFF ALL ELECTRIC POWER BEFORE SERVICING.

TO TURN OFF GAS TO APPLIANCE

1. TURN OFF ALL ELECTRIC POWER TO THE APPLIANCE IF SERVICE IS TO BE PERFORMED.
2. TURN THE "MANUAL GAS VALVE KNOB" TO THE "OFF" POSITION.

SAFETY PRECAUTIONS

- A. Do not turn off manual gas shut-off valve if water heater has been subjected to over heating, fire, flood, physical damage or if gas supply fails to shut off.
- B. **DO NOT** turn on water heater unless it is filled with water.
- C. **DO NOT** turn on water heater if cold water supply shut-off valve is closed.
- D. **DO NOT** store or use gasoline or other flammable vapors and liquids, such as adhesives or paint thinner, in vicinity of this or any other appliance. If such flammables must be used, open doors and windows for ventilation, and all gas burning appliances in vicinity should be shut off, including their pilot lights, to avoid vapors igniting.

NOTICE: Flammable vapors may be drawn by air currents from surrounding areas to the water heater.

- E. **DO NOT** allow combustible materials such as newspaper, rags or mops to accumulate near water heater.

- F. If there is any difficulty in understanding or following the OPERATION or MAINTENANCE instructions, it is recommended that a qualified person or serviceman perform the work.

⚠ WARNING:

Hydrogen gas can be produced in a hot water system served by this water heater that has not been used for a long period of time (generally two weeks or more). **HYDROGEN GAS IS EXTREMELY FLAMMABLE!!** To dissipate such gas and to reduce risk of injury, it is recommended that the hot water faucet be opened for several minutes at the kitchen sink before using any electrical appliance connected to the hot water system. If hydrogen is present, there will probably be an unusual sound such as air escaping through the pipe as the water begins to flow. **DO NOT** smoke or use an open flame near the faucet at the time it is open.

1. TEMPERATURE SETTINGS — The temperature is adjusted to the lowest setting when shipped from the factory. To meet commercial water use needs, it is adjustable up to 185°F (85°C). However, water temperatures over 125°F (52°C) can cause severe burns instantly or death from scalds. This is the preferred starting point for setting the control for supplying general purpose hot water.

Safety and energy conservation are factors to be considered when setting the water temperature. The most energy efficient operation will result when the temperature setting is the lowest that satisfies the needs consistent with the application.

⚠ DANGER:

Hotter water increases the potential for hot water SCALDS.

When this water heater is supplying general purpose hot water requirements for individuals, a thermostatically controlled mixing valve for reducing point of use water temperature is recommended. Contact a licensed plumber or the local plumbing authority for further information.

Outlet water temperature will vary during normal operating cycles. Reliable temperature readings should be taken shortly after main burner cycles off during a period of little or no use.

2. EMERGENCY SHUTDOWN —

⚠ WARNING:

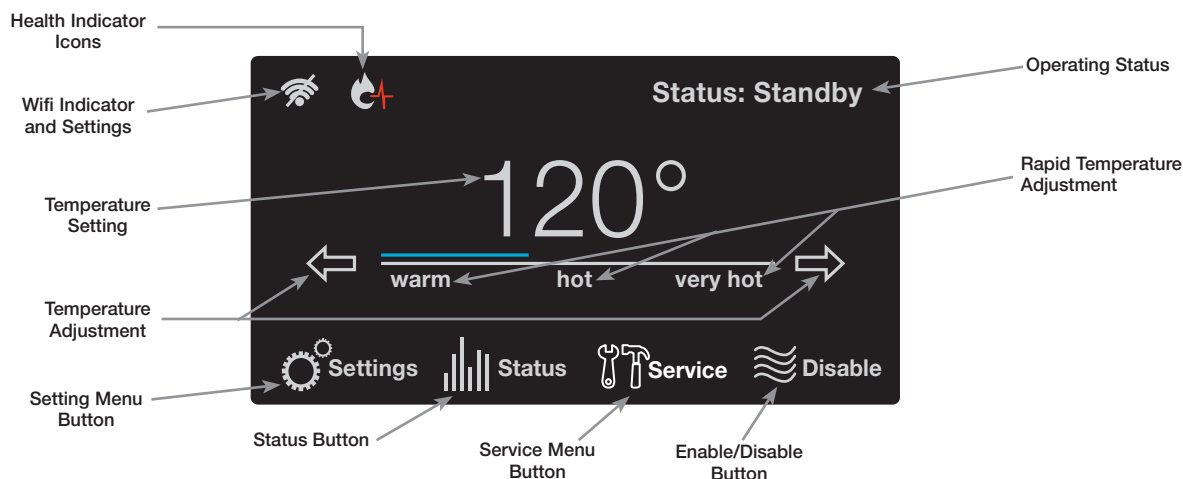
Should overheating occur or the gas supply fail to shut off, turn off the manual gas control valve to the appliance.

DO NOT use this appliance if any part has been under water. Immediately call a qualified service technician to inspect the appliance and to replace any part of the control system or any gas control which has been under water.

If the water heater has been subjected to fire or physical damage, turn off gas at the manual gas control (shut-off) valve. **DO NOT** operate the water heater again until it has been checked out by a qualified service technician.

USER INTERFACE

NAVIGATING THE HOME SCREEN:



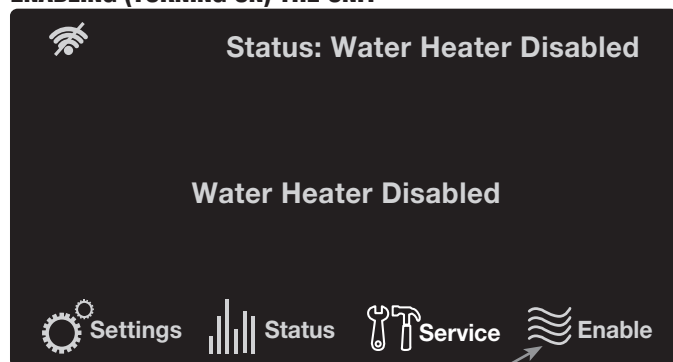
STARTUP

Once power is applied to the water heater and the On button is pressed, the Startup Wizard on the LCD will go over the below features:

1. Setting of Time and Date
2. Setting Hours of Operation for the business
3. Wifi Setup

Follow the on-screen instructions to complete setup. Some of these items can be skipped if a later setup is desired.

ENABLING (TURNING ON) THE UNIT



TEMPERATURE ADJUSTMENT

Tank temperature will be maintained according to the setting on the home screen. If the water temperature setting needs adjustment, use the arrows on the display to select desired temperature.

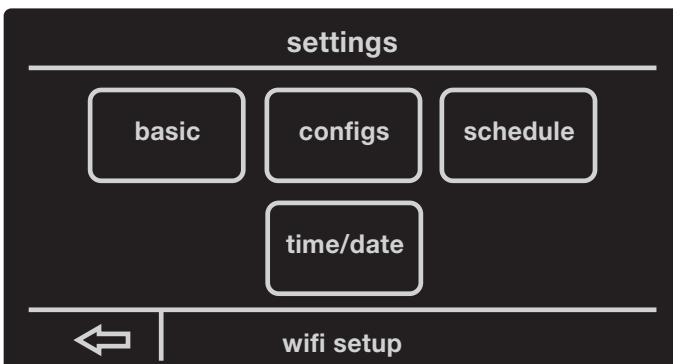
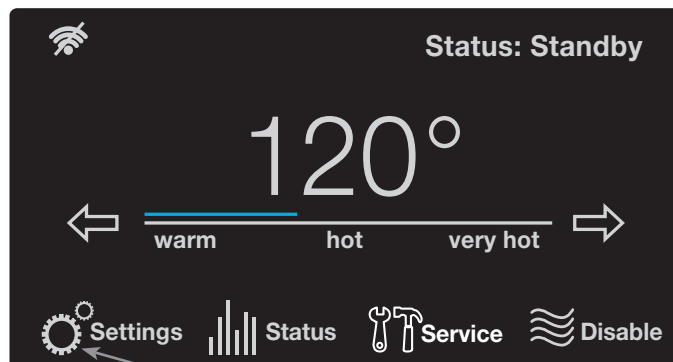
The display also has a rapid temperature adjustment feature that corresponds to the below temperature settings.

- Warm: 110°F (43°C)
- Hot: 140°F (49°C)
- Very hot: 180°F (71°C)

Touching the text 'warm', 'hot', or 'very hot' will adjust the temperature to the above temperature setting.

SETTING MENU

The settings function on the water heater display allows access to the basic settings, configurations, schedules, and the time/date.

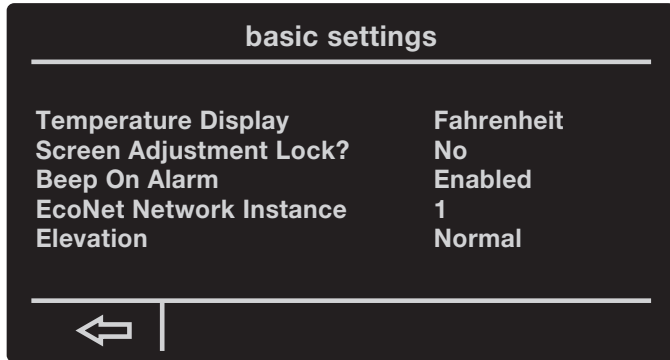


⚠ DANGER:

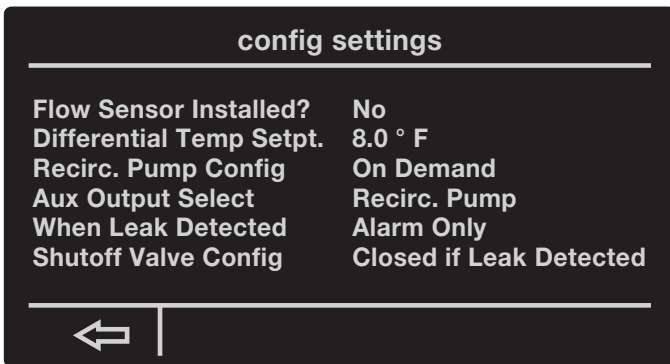
Hotter water increases the potential for hot water SCALDS.

USER INTERFACE

BASIC SETTINGS: The basic settings in your water heater can allow you to change the temperature unit, screen adjustment lock/unlock, enabling/disabling the alarm beep, and your EcoNet network instance. Simply select the setting by tapping it, and press the Up/Down arrows to make adjustments. WiFi setup can be accessed from this screen as well.



CONFIGURATION SETTINGS: The configuration settings on your water heater allows you to control the heating mode, setting the recirculation pump, auxiliary input/output, enabling/disabling modulation, and how your hot water heater reacts to a detected leak.



The setting can be highlighted by tapping and then adjusted with the up/down arrows.

Recirculation Pump Configuration can be set to the following:

Off - use this setting when the recirculation pump is not in use, or not installed.

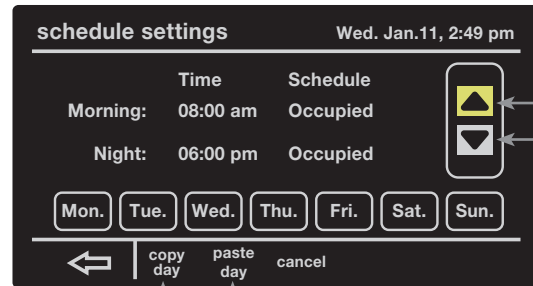
On - use this setting to manually turn on the pump. Useful for testing the setup. Not recommended for general use.

Schedule - The recirculation pump will run on a 15 min On/15 min Off cycle whenever the heater is set to the "Home" mode (see SCHEDULE SETTINGS). When the heater is in an Away mode, the recirculation pump will not run.

On Demand - The recirculation pump can be triggered to run from the mobile app. When triggered from the app, the pump will run for 15 min.

This water heater has a modulation algorithm that can be disabled by tapping 'No' in front of Modulation Disabled and making adjustments by tapping the up/down buttons.

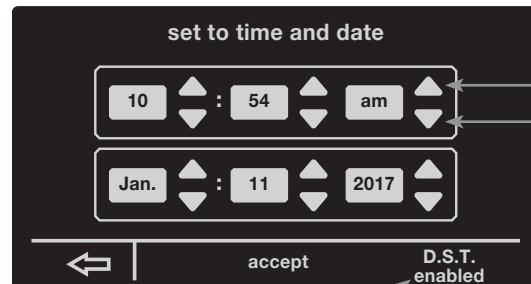
SCHEDULE SETTINGS: The schedule settings allows you to control when your hot water heater will be enabled/disabled. Your heater allows you to select a day you want and set the times when the heater will be in use. You can also copy/paste the day you select and apply it to other days as well.



By selecting a day and then accessing the copy function, you can paste that day's settings onto other

The up/down arrows enable you to adjust the time of the period run times.

TIME/DATE SETTINGS: By selecting time/date you can change the water heaters current set time. You can also select the daylight savings time function to automatically adjust the time for daylight savings.

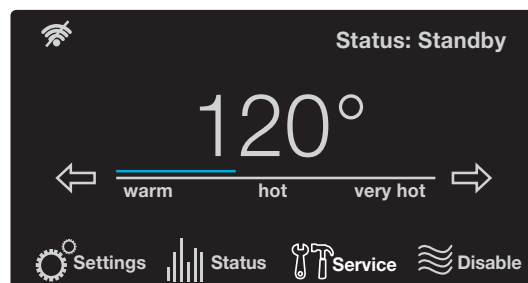


The D.S.T function allows you to adjust the time for daylight savings time.

The up/down arrows allow you to control the time, month, day, and year.

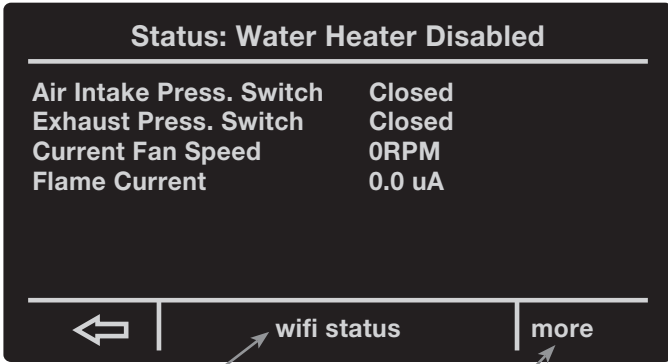
STATUS MENU

The Status screen provides information on the current operating status, diagnostics and sensors. This screen also provides information on the WiFi status.



By pressing the Status button, you will be taken to a prompt showing the state of your water heater's many features.

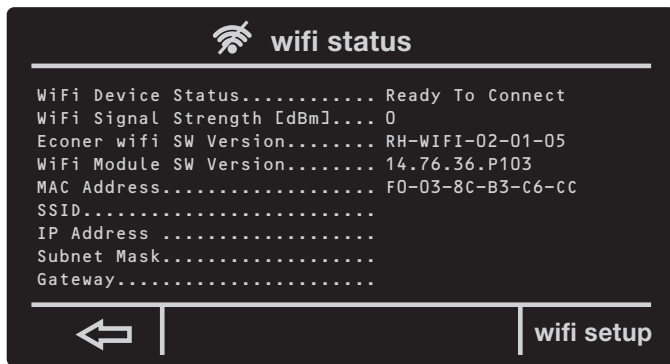
USER INTERFACE



By selecting Wi-Fi status, you can access the status of your water heater's Wi-Fi and even set it up.

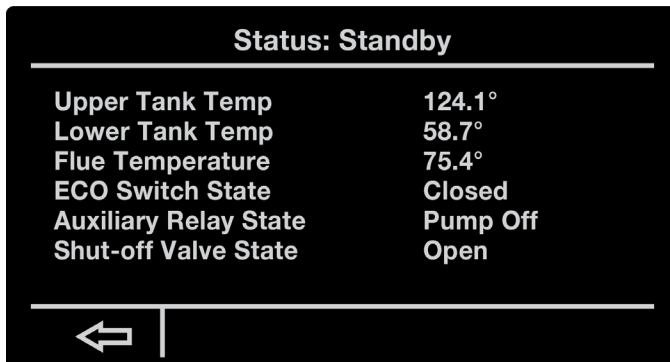
By selecting more, you can access the temperatures of your water heater, ECO switch state, and auxiliary switch state.

WI-FI STATUS: After selecting the Wi-Fi status function, you will be brought to a prompt showing you the current state of your water heater's Wi-Fi and the ability to set-up your water heater's Wi-Fi.



Selecting the Wi-Fi setup function will bring you to a prompt allowing you to connect your water heater to your home Wi-Fi.

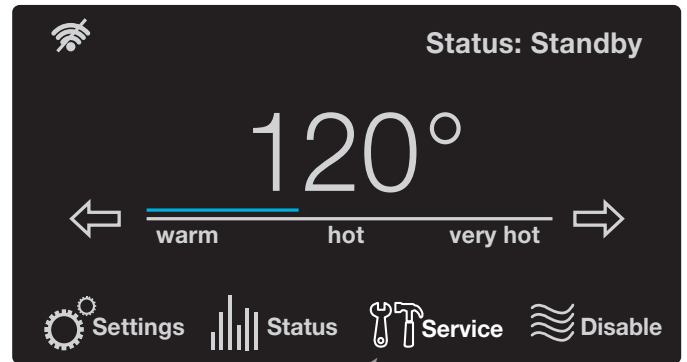
MORE FUNCTION: Selecting the more function your heater will bring you to a prompt showing you the current temperatures of the lower/upper tank, Flue temperature, ECO switch state, and Auxiliary relay state.



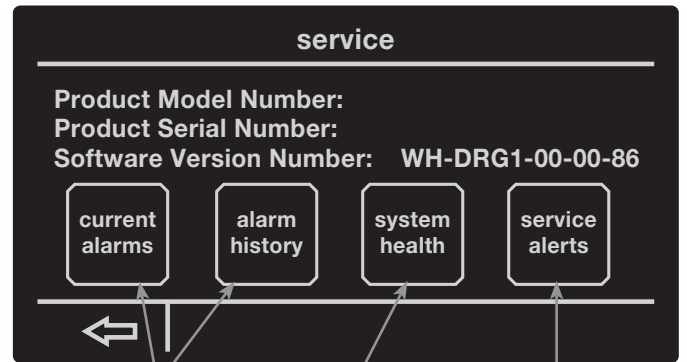
SERVICE MENU

The service screen provides information on the product description, alarms, system health, and service alerts. Alarm details can be found in the "Before You Call Service" section of the manual.

In case there is an active alarm, the "Service" button will blink on the home screen. Pressing the "Service" button will show a new screen containing the active alarms and alarm history.



By selecting the service function, you will be taken to a prompt giving you access to the heater's alarms, health, and alerts.



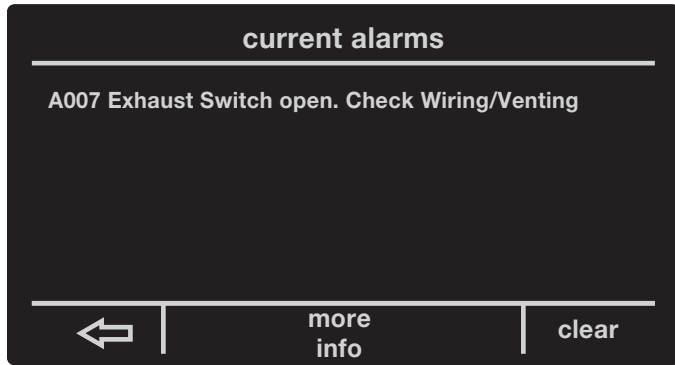
Current Alarms and Alarm History allows you to access any current alarms that have been tripped and view a list of previous alarms.

System Health will show you the status of the tank's combustion health and overall tank health.

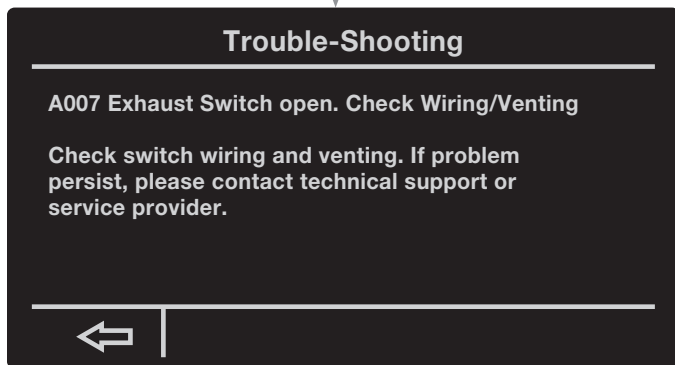
Service Alerts will allow you to set how often you want to be alerted to check venting, clean the drain trap, replace the neutralizer, and to drain and inspect the tank.

USER INTERFACE

ALARMS: The current alarms function allows you to see any problems that have been detected by your water heater. Also, by selecting on the current alarm you can press “more info” to read more on the current problem of your water heater. Alarm history allows you to see any of the previous alarms that have gone off in the past and give you the ability to clear those previous alarms.



By selecting “more info” you can be given a more in-depth explanation of the current alarm.

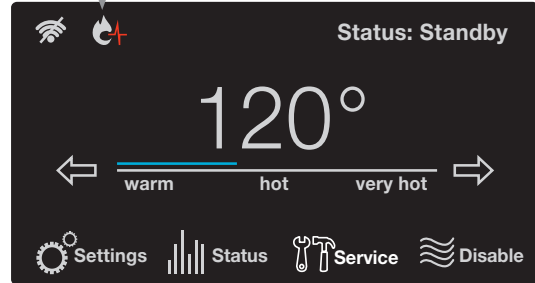


ALARM HISTORY: The alarm history function allows you to see the previous alarms that have been detected by your water heater in the past.



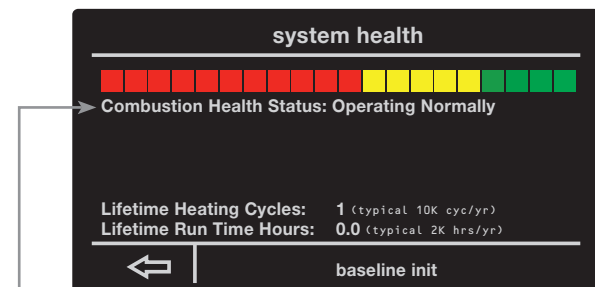
SYSTEM HEALTH: The system health function allows you to see the current health of your hot water heater’s combustion health. The combustion health has three levels of health:

This symbol will appear on your home screen if your combustion health is critical. Pressing this icon will take the user to the Health Status Screen



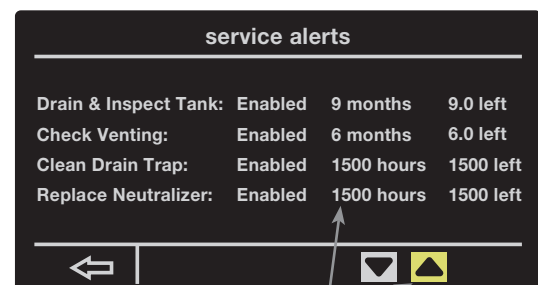
COMBUSTION HEALTH:

1. Normal operation - no action needed
2. Begin planning for service and/or replacement.
3. Needs Servicing - contact your service provider



The health of your system’s combustion system and overall health can be seen here. This screen be accessed by tapping the health indicator icons on the home screen.

SERVICE ALERTS: By selecting the Service alerts function you will be able to adjust how often you want to be alerted to drain and inspect the tank, clean the drain trap, check the venting, and to replace the neutralizer.



By selecting an option and then using the up and down arrow, you can set how often you’d like to be alerted to system maintenance.


MAINTENANCE

Properly maintained, this water heater will provide years of dependable, trouble free service. It is strongly suggested that a regular routine maintenance program be established and followed by the owner. It is further recommended that a periodic inspection of the relief valve and venting system should be made by service technicians qualified in gas appliance repair.

1. ROUTINE PREVENTIVE MAINTENANCE

- A. **PRESSURE SWITCH** — Inspect the inlet to the pressure switch and the tubing for debris or blockage. Clean out the tubing periodically to prevent buildup of debris.
- B. **CONDENSATE TRAP** — Check for blockages.
- C. **ELECTRICAL CONNECTIONS** — Periodic inspection of all electrical connections and wiring conditions.

CAUTION:

 Label all wires prior to disconnection when servicing controls. Wiring errors can cause improper and dangerous operation.

CAUTION:

 **VERIFY PROPER OPERATION AFTER SERVICING !**

Make certain all power to the water heater is turned "OFF" before performing any maintenance or inspection work on this water heater.

Before manually operating the relief valve, make certain no one will be exposed to the danger of coming in contact with the hot water released by this valve. The water may be hot enough to create a SCALD hazard. The water released should be directed to a suitable drain to prevent injury or damage.

NOTICE: If the temperature and pressure relief valve on the water heater discharges periodically, this may be due to thermal expansion in a "closed" water system. Contact the water supplier or local plumbing inspector on how to correct this. **DO NOT** plug the relief valve outlet.

- E. **TANK**— Good maintenance requires that the tank be cleaned of deposits. Unless the water supply is soft (0 to 5 grains hardness), scale or lime deposits will accumulate in the tank. Hard water scale is deposited at an increasingly high rate in proportion to increased water temperature. Accumulation of these deposits may reduce efficiency, and shorten the life of the water heater.

Drain a few quarts of water from the water heaters tank every month to clean the tank off these deposits

- F. **SEASONAL OPERATION** - If the water heater is to remain idle for an extended period (60 days or more) the heater should be turned off. The water heater and piping should be drained if they might be subjected to freezing temperatures. It is recommended that the water heater's operation is thoroughly checked (by a qualified service technician) before it is placed back in service. **NOTICE:** Refer to the Hydrogen Gas caution notation on "Safety Precautions" section of this manual. It is suggested that a few quarts of water be drained from the water heater's tank every month to clean the tank of these deposits.

- G. **VENTING SYSTEM** — Inspect the venting system at least yearly to make certain the passageways are free and unobstructed, and that the vent connector from the water heater's blower assembly is properly positioned and securely attached. Remove any obstructions in the vent connector or vent terminal.

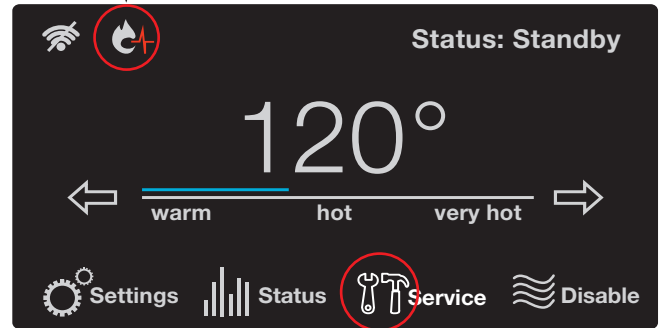
BEFORE YOU CALL FOR SERVICE...



Troubleshooting Tips

Save time and money! Review the charts on the following pages first and you may not need to call for service.

If one of the health indicators is blinking on the home screen or the service icon is blinking there is an issue with the operation of your water heater. Pressing the service icon will allow you to look at Current Alarms (and Alerts), Alarm History, and Unit Health screens for issues that need attention. Pressing the blinking health indicator will show the health screen.



Problem	Possible Causes	What To Do
Display not on	No power to the unit	Check the breaker to the unit, the on/off switch, and the fuse on the ignition control board.
	Harness from control board disconnected	Make sure that the wire harness to J4 on the ignition control board is still connected.
Blower does not run	No power to blower motor	Verify power to the control board and that all harnesses to the blower are properly installed. Make sure that there is no damage the harnesses or connectors.
Unable to light the main burner	Air in gas line	Let the unit cycle at least 3 times to remove air from the gas line. If the unit does not try to light, contact a qualified service technician to purge the air from the gas line.
	Manual gas shut-off valve(s) not open	Check to make sure that all manual shut-off valves between the unit and the gas line are open.
	Blocked inlet or exhaust vent pipe	Contact a qualified service technician to evaluate vent pipes for a blockage.
	Pressure switch	Make sure the pressure switch hoses are not "kinked" or disconnected.
		Blocked inlet or outlet vent systems will cause pressure switch to shut off the unit. Contact a qualified service technician to evaluate the vent system.
Wire connection not fully secured	Contact a qualified service technician to confirm wire connections.	

BEFORE YOU CALL FOR SERVICE...



Troubleshooting Tips

Save time and money! Review the charts on the following pages first and you may not need to call for service.

Problem	Possible Cause	What To Do
Unable to light the main burner	Gas control problem	Contact a qualified service technician.
	Unit or electrical supply line not properly grounded	Verify that the electrical supply line and unit have proper ground connection.
Main burner does not stay lit	Burner flame not contacting sensor rod.	Call a qualified service technician to review flame rectification.
	Unit or electrical supply line not properly grounded	Verify the electrical supply line and unit have proper ground connection.
Not enough or no hot water	Water usage exceeded the capacity	Wait for the water heater to recover after an abnormal demand of the water heater.
	Low gas pressure	Check the gas supply pressure.
	Water heater set point is set too low	See the "User Interface" section of this manual to the set point temperature.
	Leaking or open hot water faucets	Make sure all faucets are closed.
	"ON/OFF" switch turned off	Turn the switch to the "ON" position.
	Colder supply water	Incoming water temperature might be lower than when the unit was initially installed. This will require a longer heat up cycle.
	Burner not staying on	Refer to the "Main Burner" section of this manual.
Water is too hot	The water heater set point is set too high	See the "User Interface" section of this manual to the set point temperature.

⚠ CAUTION:

Make certain power to the water heater is "OFF" before removing the protective cover FOR ANY REASON.

⚠ CAUTION:

Label all wires prior to disconnection when servicing controls. Wiring errors can cause improper and dangerous operation. VERIFY PROPER OPERATION AFTER SERVICING!

⚠ CAUTION:

For your safety, DO NOT attempt repair of gas piping, gas control burner, vent connectors or other safety devices. Refer repairs to qualified service personnel.

NOTE: A Training Manual is available through the Technical Services Department for a more detailed troubleshooting and repair guide.

BEFORE YOU CALL FOR SERVICE...

Alarm ('A') and Alert ('T') Codes	Description	Current Alarm Screen Display
A001	Ignition lockout due to a total of 9 consecutive failed ignitions. This will disable the heater.	<p>A001 Ignition lockout.</p> <p>->Clear error code by turning the unit off/on. If problem persists, contact technical support or service provider.</p>
A002	Flame not stable lockout. Lost flame three times during one heat cycle. This will disable the heater.	<p>A002 Flame is not stable.</p> <p>->Clear error code by turning the unit off/on. If problem persists, contact technical support or service provider.</p>
A003	The intake pressure switch was detected open when the blower was running. This will disable the heater.	<p>A003 Intake Switch open. Check Wiring/Venting</p> <p>->Check switch wiring and venting. If problem persists, contact technical support or service provider.</p>
A004	The proof of air flow switch was detected open during heating operation. This will disable the heater.	<p>A004 PoF Switch error H. Check Blower/Wiring.</p> <p>->Check switch wiring and venting. If problem persists, contact technical support or service provider.</p>
A005	The proof of air flow switch was detected open during pre-purge operation. This will disable the heater.	<p>A005 PoF Switch error E. Check Blower/Wiring.</p> <p>->Check switch wiring and venting. If problem persists, contact technical support or service provider.</p>
A006	The proof of air flow switch was detected open during post purge operation.	<p>A006 PoF Switch error P. Check Blower/Wiring.</p> <p>->Check switch wiring and venting. If problem persists, contact technical support or service provider.</p>
A007	Exhaust flue pressure switch was detected open during heating. This will disable the heater.	<p>A007 Exhaust Switch open. Check Wiring/Venting</p> <p>->Check switch wiring and venting. If problem persists, contact technical support or service provider.</p>
A008	The proof of air flow pressure switch was detected closed before the blower started operation. This will disable the heater.	<p>A008 PoF Switch/Blower mismatch. Call Tech Svc</p> <p>->The Proof of Fan pressure switch is closed when the blower is off. Contact technical support or service provider.</p>
A010	Ignition Control Test Failure during End of Line (EOL) test	<p>A010 Ignition Control Test Failure</p> <p>-> End of Line (EOL) test failure. Unit disabled.</p>

BEFORE YOU CALL FOR SERVICE...

Alarm ('A') and Alert ('T') Codes	Description	Current Alarm Screen Display
A012	Flame Detected During Standby/Disabled Mode	A012 Clear error code by turning the unit off and on. If problem persists contact technical support or service provider
A016	Energy Cutout (ECO) switch is open. This will disable the heater.	A016 High Tank Temperature. Call Tech Service. ->Clear error code by pressing clear button. Refer to use and care manual for troubleshooting, or contact technical support.
A017	Flue (exhaust) gas temperature has exceeded 155°F. This will disable the heater.	A017 High Flue Temp. Recycle unit ON/OFF. ->Blower will continue to run until exhaust temperature has decreased. If problem persists contact technical support.
A018	Flue temperature sensor (thermistor) detected open. This will disable the heater.	A018 Flue Temp Sensor open. Check wiring. ->Check wiring to sensor. If condition persists refer to use and care manual or contact technical support.
A019	Flue temperature sensor (thermistor) detected short circuited. This will disable the heater.	A019 Flue Temp Sensor shorted. Call Tech Svc. ->Check wiring to sensor. If condition persists refer to use and care manual or contact technical support.
T020	Lower tank (inlet) temperature sensor (thermistor) detected open.	T020 Lower Tank Sensor open. Check wiring. ->Check wiring to sensor. If condition persists refer to use and care manual or contact technical support.
T021	Lower tank (inlet) temperature sensor (thermistor) detected short circuited.	T021 Lower Tank Sensor shorted. Call Tech Svc. ->Check wiring to sensor. If condition persists refer to use and care manual or contact technical support.
A022	Upper tank temperature sensor detected open. This will disable the heater.	A022 Upper Tank Sensor open. Check wiring. ->Check wiring to sensor. If condition persists refer to use and care manual or contact technical support.
A023	Upper tank temperature has exceeded 205°F. This will disable the heater.	A023 Upper Tank temp. too hot. Call Tech Svc. ->Clear error code by pressing clear button. Refer to use and care manual for troubleshooting, or contact technical support.
A024	Upper tank temperature sensor detected short circuited. This will disable the heater.	A024 Upper Tank sensor shorted. Call Tech Svc. ->Check wiring to sensor. If condition persists refer to use and care manual or contact technical support.

BEFORE YOU CALL FOR SERVICE...

Alarm ('A') and Alert ('T') Codes	Description	Current Alarm Screen Display
A025	Control does not detect blower RPM. This will disable the heater.	A025 No Blower RPM feedback. Call Tech Service ->Contact technical support or service provider.
A026	Blower RPM feedback (actual RPM) is ≥ 300 RPM from desired RPM for > 1 minute.	A026 Blower expected RPM vs actual RPM mismatch ->Contact technical support or service provider.
A027	Flame current detected prior to opening gas valve. This will disable the heater.	A027 Flame present before ignit. Call Tech Svc ->Clear error code by turning the unit off and on. If problem persists contact technical support or service provider.
A028	Flame current detected 10 seconds after closing gas valve. This will disable the heater.	A028 Flame present w/o heating. Call Tech Svc. ->Clear error code by turning the unit off and on. If problem persists contact technical support or service provider.
T029	Unit did not light.	T029 Failed ignition. Retrying.
A030	Unit lost flame.	A030 Flame lost during heating. Retrying.
T032	Lower (inlet) thermistor analog to digital converter fault.	T032 Lower Tank temp A/D error. Call Tech Svc. ->If problem persists, contact technical support or service provider.
A033	Exhaust flue thermistor analog to digital converter fault. This will disable the heater.	A033 Flue sensor A/D error. Call Tech Service. ->If problem persists, contact technical support or service provider.
A034	Upper tank thermistor analog to digital converter fault. This will disable the heater.	A034 Upper Tank temp A/D error. Call Tech Svc. ->If problem persists, contact technical support or service provider.
T035	Gas relay #1 contacts did not close. The unit will continue to try and close the relay to initiate combustion.	T035 Gas Relay 1 stuck open. Call Tech Service ->If problem persists, contact technical support or service provider.
A036	Gas relay #1 stuck closed. This could inadvertently allow the gas valve to open. This will disable the heater.	A036 Gas Relay 1 stuck closed. Call Tech Svc. ->If problem persists, contact technical support or service provider.
A037	Gas relay #2 contacts failed to properly close. This can cause gas valve cycling and gas buildup in the burn chamber. This will disable the heater.	A037 Gas Relay 2 stuck open. Call Tech Service ->If problem persists, please contact technical support or service provider.

BEFORE YOU CALL FOR SERVICE...

Alarm ('A') and Alert ('T') Codes	Description	Current Alarm Screen Display
A038	Gas relay #2 stuck closed. This could inadvertently allow the gas valve to open. This will disable the heater.	A038 Gas Relay 2 stuck closed. Call Tech Svc. ->If problem persists, contact technical support or service provider.
A039	This is a control board hardware fault and requires control board replacement if persistent. This will disable the heater.	A039 Flame sense cct fault. Call Tech Service ->If problem persists, contact technical support or service provider.
A040	This is a control board hardware fault and requires control board replacement if persistent. This will disable the heater.	A040 Controller RAM fault. Call Tech Service. ->If problem persists, contact technical support or service provider.
A041	This is a control board hardware fault and requires control board replacement if persistent. This will disable the heater.	A041 Controller ROM fault. Call Tech Service. ->If problem persists, contact technical support or service provider.
A042	This is a control board hardware fault and requires control board replacement if persistent. This will disable the heater.	A042 Controller EEPROM fault. Call Tech Svc. ->If problem persists, contact technical support or service provider.
A043	This is a control board hardware fault and requires control board replacement if persistent. This will disable the heater.	A043 IC Program execution fault. Call Tech Svc ->If problem persists, contact technical support or service provider.
A044	Input power frequency not 60 Hz. (outside allowable deviation). This will disable the heater.	A044 Processor Clock/Line Frequency Disagree ->If problem persists, contact technical support or service provider.
T046	Information regarding the information and number of anodes sent out by the Powered Anode Module does not agree with the expected number of anodes on the water heater.	T046 Number of Anodes Configuration Mis-match ->Contact technical support or service provider.
A101	This is a display board hardware fault and requires control board replacement if persistent. This will disable the heater.	A101 Configuration Data Restore Failure ->Initialization of the control system failed at startup. Contact technical support or service provider.
A102	Set the internal clock time.	A102 Time Clock needs to be programmed ->Go to Settings, select time/date menu and set the time and date.
A103	This is a display board hardware fault and requires control board replacement if persistent. This will disable the heater.	A103 Time Clock not advancing time properly ->Contact your qualified service provider.
A104	Presence of water detected by the leak sensor in the bottom pan. If water is seen locate source and take appropriate action to correct the issue. This may disable the heater based on configuration settings.	A104 Water Leak Detected ->The presence of water has been detected by the control. Contact a qualified service provider.

BEFORE YOU CALL FOR SERVICE...

Alarm ('A') and Alert ('T') Codes	Description	Current Alarm Screen Display
T105	Check to see if leak sensor is installed in the bottom pan. Check wiring on connector P11 of the ignition control board.	T105 Water Leak Sensor Not Installed ->Check water leak sensor connection. Refer to use and care manual for troubleshooting, or contact technical support.
A108	Communication lost between the display board and the ignition control board. The ignition control board will continue to operate the heater using the last known configuration settings. Check wiring between the display and P5 of the ignition control board.	A108 Ignition Board Communication Failure ->Communications lost with ignition control board. If problem persists, contact technical support or service provider.
A110	Monthly test of automatic shutoff valve (premium models only) was not completed properly. The valve did not close in the allotted time.	A110 Shutoff Valve Test Close Error ->Auto Shutoff valve failed to close during test cycle. Please contact technical support or service provider.
A111	Monthly test of automatic shutoff valve (premium models only) was not completed properly. The valve did not open in the allotted time. This will disable the heater.	A111 Shutoff Valve Test Open Error ->Water heater has been disabled. Manually open valve. Please contact technical support or service provider.
A112	Automatic shutoff valve (premium models only) is closed. This will disable the heater.	A112 Shutoff Valve Not Open: Heating Disabled ->Manually open valve if no water detected or if unit is not being serviced. Contact technical support or service provider.
T113	Peak flame rod current has deviated from the startup average. This is indicative of degradation of the flame rod (dirty, sooty). It needs to be cleaned and inspected.	T113 Flame Rod Degraded and Needs Servicing ->Clean or replace per use and care manual. Please contact technical support for assistance.
T114	Peak flame rod current has deviated from the startup average by a significant amount. Clean and inspect flame rod. Replace if necessary.	T114 Flame Rod Degraded and Needs Servicing ->Clean or replace per use and care manual. Please contact technical support for assistance.
T115	Monitored characteristics of the combustion system indicate degraded performance. Combustion system needs to be inspected and serviced.	T115 Combustion Health Degraded: Needs Service ->Combustion system performance is degraded. Please contact technical support or service provider for assistance.
T116	Monitored characteristics of the combustion system indicate severely degraded performance. Combustion system needs to be inspected and serviced.	T116 Combustion Health Degraded. Needs Service ->Clear error code by pressing clear button. Refer to use and care manual for troubleshooting, or contact technical support.
T117	Periodic maintenance, inspection, and upkeep on the unit.	T117 Time to Drain and Inspect Tank ->Refer to the use and care manual for instructions, or contact technical support or service provider.

BEFORE YOU CALL FOR SERVICE...

Alarm ('A') and Alert ('T') Codes	Description	Current Alarm Screen Display
T118	Periodic maintenance, inspection, and upkeep on the unit.	T118 Time to Check Venting for Debris ->Refer to the use and care manual for information, or contact technical support or service provider.
T119	Periodic maintenance, inspection, and upkeep on the unit.	T119 Time to Clean Out the Condensate Drain Trap ->Refer to the use and care manual for instructions and locations. Call technical support or service provider if necessary.
T120	Periodic maintenance, inspection, and upkeep on the unit.	T120 Time to Replace the Neutralizer ->Clear error code by pressing clear button. Refer to use and care manual for troubleshooting, or contact technical support.
T121	No water detected in Tank due to anode signal(s) being OPEN circuited.	T121 No Water Detected in Tank ->Fill the tank with water. If error persists, please contact technical support or service provider.
T122	The Display Control is no longer receiving information about the Powered Anodes from the Powered Anode Module.	T122 Powered Anode Control Comm Failure ->Check wiring connections of the anode control board. If error persists, please contact technical support or service provider.
T123	Anode "open" circuit which could be caused by wiring damage, wiring disconnected or anode damage.	T123 Upper Anode Open ->Check wiring connections for the upper anode. If error persists, please contact technical support or service provider.
T125	Anode "short" circuited which could be caused by wiring damage, anode damage or the anode is in contact with the tank. This is not a connector issue and not caused from leaking. This can only be a failed anode.	T125 Upper Anode Shorted ->Check wiring connections for the upper anode. If error persists, please contact technical support or service provider.
T126	Anode power $\geq 100\%$ and has reached its protective limit.	T126 Upper Anode Overload ->Upper Anode has reached full capacity. Tank may not be fully protected. Please contact technical support or service provider.
T127	Anode power $> 87\%$ but $< 100\%$. The anode is approaching its protective limit.	T127 Upper Anode Pre-Overload ->Upper Anode near end of useful life but will continue protecting tank. Please contact technical support.
T128	Anode "open" circuit which could be caused by wiring damage, wiring disconnected or anode damage.	T128 Middle Anode Open ->Check wiring connections for the middle anode. If error persists, please contact technical support or service provider.
T130	Anode "short" circuited which could be caused by wiring damage, anode damage or the anode is in contact with the tank. This is not a connector issue and not caused from leaking. This can only be a failed anode.	T130 Middle Anode Shorted ->Check wiring connections for the middle anode. If error persists, please contact technical support or service provider.

BEFORE YOU CALL FOR SERVICE...

Alarm ('A') and Alert ('T') Codes	Description	Current Alarm Screen Display
T131	Anode power $\geq 100\%$ and has reached its protective limit.	T131 Middle Anode Overload ->Middle Anode has reached full capacity. Tank may not be fully protected. Contact technical support or service provider.
T132	Anode power $> 87\%$ but $< 100\%$. The anode is approaching its protective limit.	T132 Middle Anode Pre-Overload ->Middle Anode near end of useful life but will continue protecting tank. Please contact technical support.
T133	Anode "open" circuit which could be caused by wiring damage, wiring disconnected or anode damage.	T133 Lower Anode Open ->Check wiring connections for the upper anode. If error persists, please contact technical support or service provider.
T135	Anode "short" circuited which could be caused by wiring damage, anode damage or the anode is in contact with the tank. This is not a connector issue and not caused from leaking. This can only be a failed anode.	T135 Lower Anode Shorted ->Check wiring connections for the lower anode. If error persists, please contact technical support or service provider.
T136	Anode power $\geq 100\%$ and has reached its protective limit.	T136 Lower Anode Overload ->Lower Anode has reached full capacity. Tank may not be fully protected. Contact technical support or service provider.
T137	Anode power $> 87\%$ but $< 100\%$. The anode is approaching its protective limit.	T137 Lower Anode Pre-Overload ->Lower Anode near end of useful life but will continue protecting tank. Please contact technical support.
T138	Anode "open" circuit which could be caused by wiring damage, wiring disconnected or anode damage.	T138 Anode 4 Open ->Check wiring connections for anode #4. If error persists, please contact technical support or service provider.
T140	Anode "short" circuited which could be caused by wiring damage, anode damage or the anode is in contact with the tank. This is not a connector issue and not caused from leaking. This can only be a failed anode.	T140 Anode 4 Shorted ->Check wiring connections for anode #4. If error persists, please contact technical support or service provider.
T141	Anode power $\geq 100\%$ and has reached its protective limit.	T141 Anode 4 Overload ->Anode #4 has reached full capacity. Tank may not be fully protected. Contact technical support or service provider.
T142	Anode power $> 87\%$ but $< 100\%$. The anode is approaching its protective limit.	T142 Anode 4 Pre-Overload ->Anode #4 has reached full capacity. Tank may not be fully protected. Contact technical support or service provider.

BEFORE YOU CALL FOR SERVICE...

Alarm ('A') and Alert ('T') Codes	Description	Current Alarm Screen Display
A143	The switch information on the Shutoff Valve is indicating incorrect information such as both switches are OPEN or both switches are CLOSED.	A143 Shutoff Valve Inputs in Error ->Manually open valve if no water detected or if unit is not being serviced. Contact technical support or service provider.
A200	Software versions between the Display Control and Ignition Control are incompatible.	A200 Incompatible Ignition Control/Display Error ->The ignition control and display are incompatible with each other. Contact technical support.
T504	WiFi chip communication timing error. This doesn't mean the chip has failed.	T504 Wifi Chip Communication Error ->Refer to the use and care manual for information, or contact technical support or service provider or Enercare.

REPLACEMENT PARTS

Instructions For Placing a Parts Order (50 Gal)

All parts orders should include:

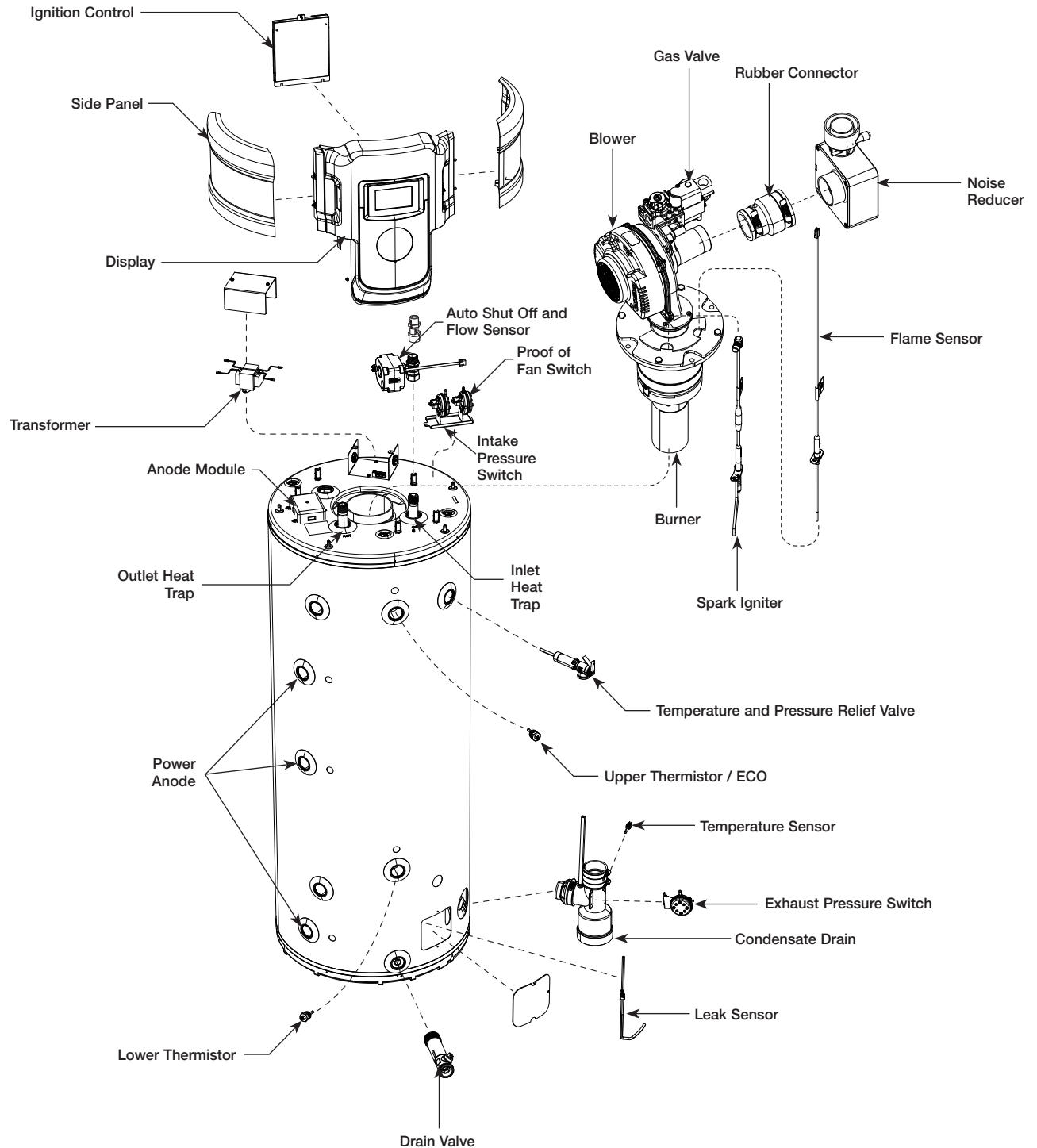
The model and serial number of the water heater from the rating plate.

Specify type of gas (natural or LP) as marked on the rating plate.

Part description (as noted below) and number of parts desired.

⚠ CAUTION

For your safety **DO NOT** attempt repair of gas piping, gas control burner, vent connectors or other safety devices. Refer repairs to qualified service personnel.



REPLACEMENT PARTS

Instructions For Placing a Parts Order (75 Gal)

All parts orders should include:

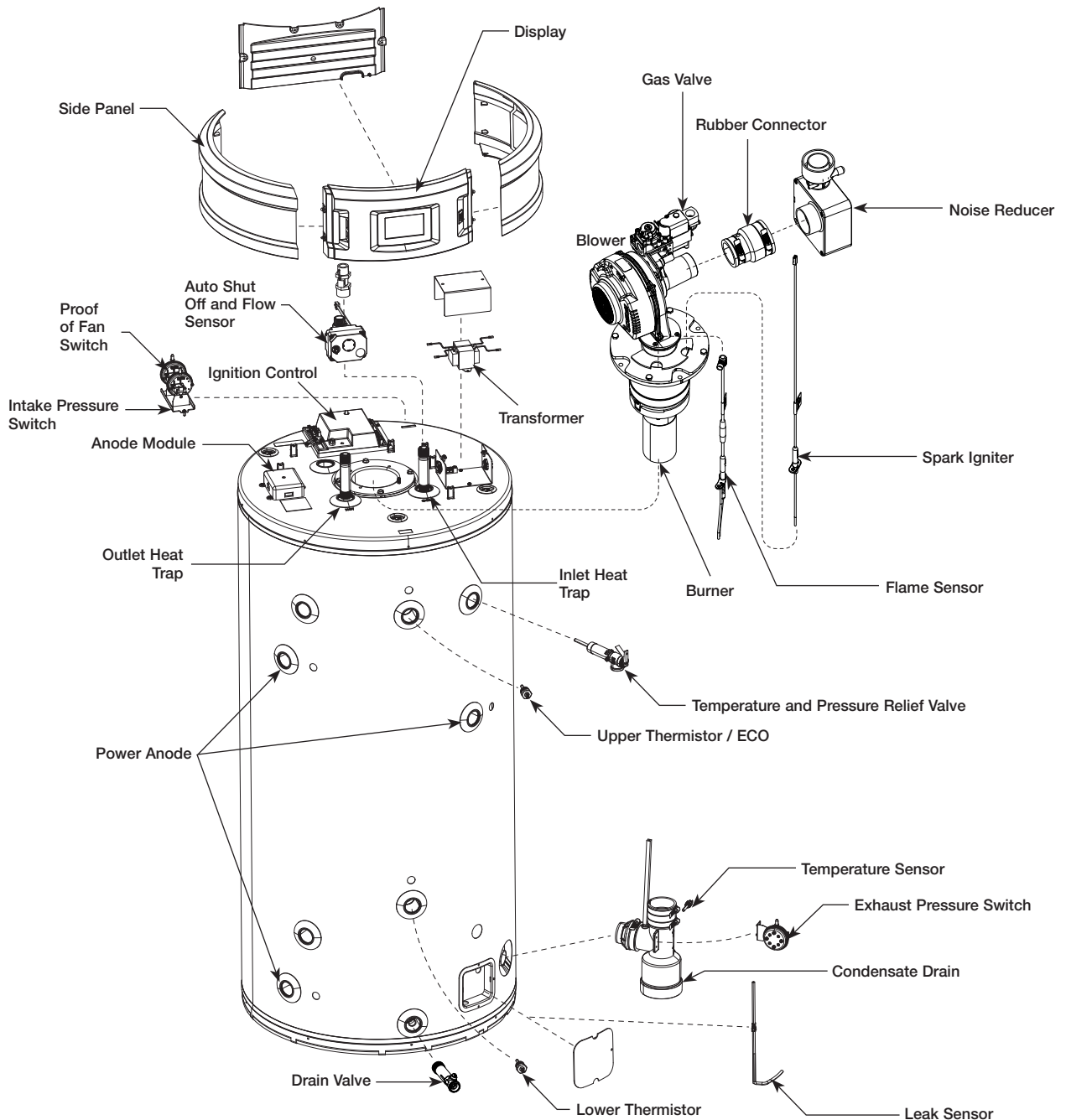
The model and serial number of the water heater from the rating plate.

Specify type of gas (natural or LP) as marked on the rating plate.

Part description (as noted below) and number of parts desired.

⚠ CAUTION

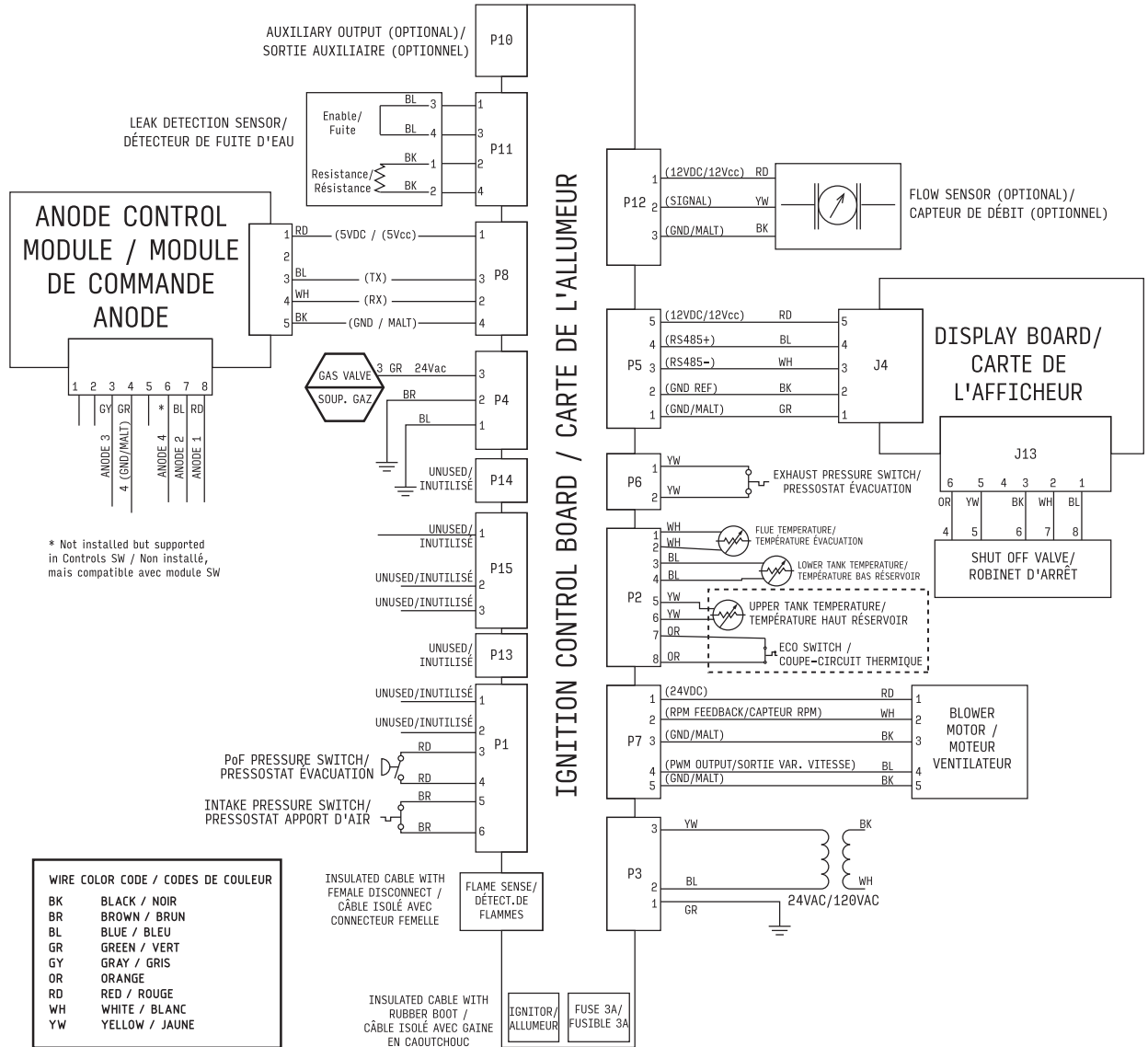
For your safety **DO NOT** attempt repair of gas piping, gas control burner, vent connectors or other safety devices. Refer repairs to qualified service personnel.



WIRING AND SCHEMATIC DIAGRAMS

⚠ WARNING

NOTICE: DO NOT use in conjunction with a GFCI. To avoid the risk of fire, explosion or asphyxiation from carbon monoxide, NEVER operate this water heater unless it is properly vented and has an adequate air supply for proper operation. It is important that the vent pipe engages fully into any pipe fitting and be kept in that position until the adhesive has fully cured. DO NOT drill or punch holes in the plastic pipe or fittings.





NOTES

HOW TO OBTAIN SERVICE ASSISTANCE

1. Should you have any questions about your new water heater, or if it requires adjustment, repair, or routine maintenance, it is suggested that you first contact your installer, plumbing contractor or previously agreed upon service agency. In the event that the firm has moved, or is unavailable, refer to the telephone directory commercial listings or local utility for qualified service assistance.
2. Should your problem not be solved to your complete satisfaction, you should then contact the Manufacturer's National Service Department at one of the following addresses:

In The U.S.A.:

Rheem Manufacturing Co., Water Heater Division
ATTN: Technical Service
800 Interstate Park Drive
Montgomery, AL 36109
Phone: 1-800-432-8373

In CANADA:

Rheem Canada, Ltd. / Ltée
125 Edgeware Road, Unit 1
Brampton, ON L6Y 0P5
Phone: 1-800-268-6966.

When contacting the manufacturer, the following information should be made available:

- a. Model and serial numbers of the water heater as shown on the rating plate attached to the jacket of the heater.
- b. Address where the water heater is located and can be seen.
- c. Name and address of the installer and any service agency who performed service on the water heater.
- d. Date of original installation and dates any service work was performed.
- e. Details of the problem as you can best describe them.
- f. List of people, with dates, who have been contacted regarding your problem.

Important Instructions for the Commonwealth of Massachusetts

The Commonwealth of Massachusetts requires compliance with regulation 5.08: Modifications to NFPA-54, Chapter 10 : 248 CMR 4.00 and 5.00 for installation of through – the – wall vented gas appliances as follows:

(1) Revise NFPA-54 section 10.5.4.2 by adding a second exception as follows:

Existing chimneys shall be permitted to have their use continued when a gas conversion burner is installed, and shall be equipped with a manually reset device that will automatically shut off the gas to the burner in the event of a sustained back-draft.

(2) Revise 10.8.3 by adding the following additional requirements:

(a) For all side wall horizontally vented gas fueled equipment installed in every dwelling, building or structure used in whole or in part for residential purposes, including those owned or operated by the Commonwealth and where the side wall exhaust vent termination is less than seven (7) feet above finished grade in the area of the venting, including but not limited to decks and porches, the following requirements shall be satisfied:

1. INSTALLATION OF CARBON MONOXIDE DETECTORS. At the time of installation of the side wall horizontal vented gas fueled equipment, the installing plumber or gasfitter shall observe that a hard wired carbon monoxide detector with an alarm and battery back-up is installed on the floor level where the gas equipment is to be installed. In addition, the installing plumber or gasfitter shall observe that a battery operated or hard wired carbon monoxide detector with an alarm is installed on each additional level of the dwelling, building or structure served by the side wall horizontal vented gas fueled equipment. It shall be the responsibility of the property owner to secure the services of qualified licensed professionals for the installation of hard wired carbon monoxide detectors

a. In the event that the side wall horizontally vented gas fueled equipment is installed in a crawl space or an attic, the hard wired carbon monoxide detector with alarm and battery back-up may be installed on the next adjacent floor level.

b. In the event that the requirements of this subdivision can not be met at the time of completion of installation, the owner shall have a period of thirty (30) days to comply with the above requirements; provided, however, that during said thirty (30) day period, a battery operated carbon monoxide detector with an alarm shall be installed.

2. APPROVED CARBON MONOXIDE DETECTORS. Each carbon monoxide detector as required in accordance with the above provisions shall comply with NFPA 720 and be ANSI/UL 2034 listed and IAS certified.

3. SIGNAGE. A metal or plastic identification plate shall be permanently mounted to the exterior of the building at a minimum height of eight (8) feet above grade directly in line with the exhaust vent terminal for the horizontally vented gas fueled heating appliance or equipment. The sign shall read, in print size no less than one-half (1/2) inch in size, "GAS VENT DIRECTLY BELOW. KEEP CLEAR OF ALL OBSTRUCTIONS".

4. INSPECTION. The state or local gas inspector of the side wall horizontally vented gas fueled equipment shall not approve the installation unless, upon inspection, the inspector observes carbon monoxide detectors and signage installed in accordance with the provisions of 248 CMR 5.08(2) (a)1 through 4.

(b) EXEMPTIONS: The following equipment is exempt from 248 CMR 5.08(2)(a)1 through 4:

1. The equipment listed in Chapter 10 entitled "Equipment Not Required To Be Vented" in the most current edition of NFPA 54 as adopted by the Board; and

2. Product Approved side wall horizontally vented gas fueled equipment installed in a room or structure separate from the dwelling, building or structure used in whole or in part for residential purposes.

(c) MANUFACTURER REQUIREMENTS - GAS EQUIPMENT VENTING SYSTEM PROVIDED. When the manufacturer of Product Approved side wall horizontally vented gas equipment provides a venting system design or venting system components with the equipment, the instructions provided by the manufacturer for installation of the equipment and the venting system shall include:

1. Detailed instructions for the installation of the venting system design or the venting system components; and

2. A complete parts list for the venting system design or venting system.

(d) MANUFACTURER REQUIREMENTS - GAS EQUIPMENT VENTING SYSTEM NOT PROVIDED. When the manufacturer of a Product Approved side wall horizontally vented gas fueled equipment does not provide the parts for venting the flue gases, but identifies "special venting systems", the following requirements shall be satisfied by the manufacturer:

1. The referenced "special venting system" instructions shall be included with the appliance or equipment installation instructions; and

2. The "special venting systems" shall be Product Approved by the Board, and the instructions for that system shall include a parts list and detailed installation instructions.

(e) A copy of all installation instructions for all Product Approved side wall horizontally vented gas fueled equipment, all venting instructions, all parts lists for venting instructions, and/or all venting design instructions shall remain with the appliance or equipment at the completion of the installation.

For the State of Massachusetts, use only plastic piping, fittings and vent terminations as specified in the manual which are approved by the Massachusetts Board of State Examiner of Plumbers and Gas for venting of appliances (see link below):

https://licensing.reg.state.ma.us/pubLic/pl_products/pb_pre_form.asp

OBTENIR DU SOUTIEN TECHNIQUE

1. Pour toute question au sujet de votre nouveau chauffe-eau,

ou s'il a besoin d'être réglé, réparé ou entretenu, nous vous suggérons de communiquer en premier avec votre installateur,

notre plombier ou un centre de service. Si votre fournisseur a déménagé ou s'il n'est plus en affaires, consultez le bottin téléphonique ou communiquez avec vos fournisseurs de services publics pour obtenir le nom d'un technicien qualifié.

2. Si la situation n'est toujours pas réglée à votre

entière satisfaction, n'hésitez pas à joindre notre Service à la clientèle national:

Aux États-Unis:

Rheem Manufacturing Co., Water Heater Division

ATTN: Technical Service

800 Interstate Park Drive

Montgomery, AL 36109

Tél.: 1-800-432-8373

Au Canada:

Rheem Canada, Ltd. / Ltée.

125 Edgware Road, Unit 1

Brampton, ON L6Y 0P5

Téléphone: 1-800-268-6966

Lorsque vous communiquez avec le fabricant, veuillez avoir les

Instructions importantes pour le Commonwealth du Massachusetts

The Commonwealth of Massachusetts exige que l'installation d'appareils à évacuation directe dont le conduit traverse un mur soit conforme au 248 CMR 4.00 et 5.00, comme ci-après:

(1) Réviser NFA-54 section 10.5-4.2 par l'ajout d'une seconde exception, comme décrit ci-après:

Il est permis de continuer à utiliser un conduit existant lors de l'installation d'un brûleur permettant une conversion au gaz; il doit être muni d'un dispositif à réarmement manuel qui coupe automatiquement l'alimentation en gaz du brûleur en cas de refoulement continu des gaz de combustion.

(2) Réviser 10.8.3 par l'ajout de l'exigence supplémentaire suivante:

(a) Tout appareil au gaz à évacuation murale, dont le conduit d'évacuation est installé à l'horizontale et qui est installé dans tout logement, bâtiment ou structure utilisé en tout ou en partie à des fins résidentielles, y compris ceux qui sont le propriété de Massachusetts, et où la terminaison du conduit d'évacuation se trouve à moins de 7 pi au-dessus du niveau du sol, y compris notamment une terrasse ou un porche, les conditions qui suivent doivent être respectées

1. INSTALLATION DE DÉTECTEURS DE CARBONE Au moment de l'installation d'équipement au gaz dont le conduit d'évacuation est installé à l'horizontale, le plombier ou le technicien de gaz chargé de l'installation doit s'assurer qu'un détecteur de carbone à raccordement électrique fixe et muni d'une alarme ainsi qu'un avertisseur est installé à l'étage où se trouve l'équipement au gaz. De plus, le plombier ou le technicien de gaz chargé de l'installation doit s'assurer que l'équipement de monoxyde de carbone à pile ou à raccordement électrique fixe et muni d'une alarme, est installé sur tous les autres étages d'un logement, d'un bâtiment ou d'une structure où se trouve l'équipement au gaz dont le conduit d'évacuation est installé à l'horizontale et se termine sur un mur extérieur. Il incombe au propriétaire de s'assurer que les services de professionnels licenciés et qualifiés pour l'installation des détecteurs de monoxyde de carbone à raccordement électrique fixe.

a. Si l'équipement au gaz dont le conduit d'évacuation est installé à l'horizontale est installé dans un vide sanitaire ou un grenier, le détecteur de monoxyde de carbone à raccordement électrique fixe et muni d'une alarme ainsi qu'une pile de secours peut être installé à l'étage adjacents.

b. Si les conditions de ce règlement ne sont pas remplies au moment de la fin des travaux d'installation, les dispositions précédentes doivent être conformes à la norme NFPA 720, être homologués selon la norme ANSI/UL 2034 et certifiés par IAS.

3. AFFICHAGE Une affiche de métal ou de plastique doit être montée de façon permanente à l'extérieur du bâtiment, à une hauteur minimale de 8 pieds du sol et directement en ligne avec la terminaison du conduit d'évacuation installée à l'horizontale d'un appareil ou équipement au gaz. L'affiche doit comporter le texte suivant : « CONDUIT D'ÉVACUATION DIRECTEMENT CI-DESSOUS. NE PAS OBSTRUER ».

renseignements suivants à portée de main:

a. Les numéros de modèle et de série indiqués sur la plaque

signalétique, qui se trouve sur la paroi du chauffe-eau.

b. L'adresse où le chauffe-eau est installé, ou se trouve.

c. Nom et adresse de l'installateur ou du centre de service ayant effectué des travaux sur le chauffe-eau.

d. Date de l'installation originale, dates où des réparations ont été effectuées.

e. Détails du problème, au meilleur de vos connaissances.

f. La liste des gens avec lesquels vous avez communiqué au sujet du problème, ainsi que les dates de ces communications.

4. INSPECTION. L'inspecteur local chargé de l'inspection d'équipement au gaz dont le conduit d'évacuation est installé à l'horizontale doit approuver l'installation uniquement si il constate la présence de détecteurs de monoxyde carbone et d'affiches, en conformité avec les dispositions 248 CMR 5.08(2)(a), alliées 1 à 4.

L'équipement cité dans le chapitre 10 (« Equipment Not Required To Be Vented »), de la plus récente édition du code NFPA 54 adoptée par le Conseil; et

(c) EXIGENCES DU FABRICANT - SYSTÈME D'ÉVACUATION SPÉCIAL FOURNI. Lorsque le fabricant de l'équipement au gaz dont le conduit d'évacuation est installé à l'horizontale fournit un système d'évacuation spécial, les directives d'installation de l'équipement et du système d'évacuation spécial doivent comporter:

1. Des instructions d'installation détaillées du système d'évacuation spécial ou de ses composantes.

2. Une liste de pièces complètes du système d'évacuation spécial ou de ses composantes.

(d) EXIGENCES DU FABRICANT - SYSTÈME D'ÉVACUATION SPÉCIAL NON FOURNI. Lorsque le fabricant de l'équipement au gaz approuvé dont le conduit d'évacuation est installé à l'horizontale ne fournit pas les composantes suivantes doivent être respectées:

1. Le manuel du système d'évacuation spécial doit être inclus avec l'appareil ou les instructions d'installation de l'appareil; et

2. Le système d'évacuation spécial en question doit être approuvé par le Conseil. De plus, le manuel de ce système doit inclure une liste de pièces détaillée ainsi que des directives d'installation détaillées.

(e) Dans le cas de tout équipement au gaz approuvé dont le conduit d'évacuation est installé à l'horizontale: les directives d'installation de l'appareil, les directives d'installation du conduit d'évacuation, les listes de pièces et toutes autres directives liées à l'évacuation des gaz de combustion doivent être conservées à proximité de l'appareil à la fin de l'installation.

Dans l'état du Massachusetts, utilisez uniquement des tuyaux, raccords et terminaisons en plastique tels que spécifiés dans le permis approuvés par le Massachusetts Board of State Examiners of Plumbers and Gas pour l'évacuation d'appareils à combustion (voir lien ci-dessous):

https://licensing.reg.state.ma.us/public/pL_products/pb_pre_form.asp



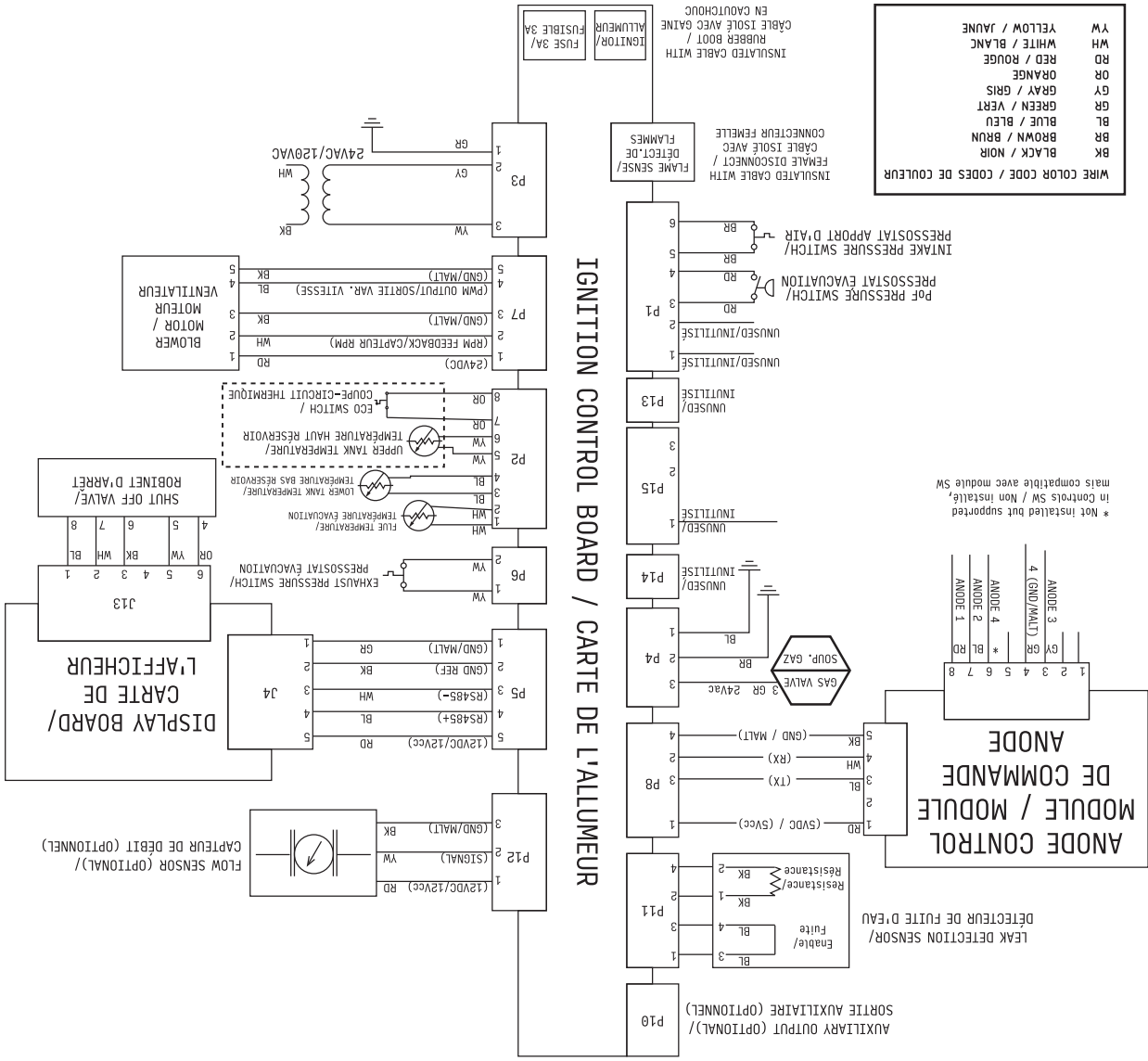
NOTES



SCHEMAS ELECTRIQUES

AVERTISSEMENT

AVIS: NE PAS raccorder à un circuit muni d'un disjoncteur à détection de fuite à la terre (DDFT). Afin d'éviter les risques d'incendie, d'explosion ou d'asphyxie des occupants au monoxyde de carbone, ne faites JAMAIS fonctionner le chauffe-eau s'il n'est pas correctement ventilé et s'il ne dispose pas d'un apport d'air adéquat assurant son bon fonctionnement. Il est important que les sections de conduits s'emboîtent correctement aux raccords jusqu'à la cure complète de l'adhésif. NE PAS percer de trous dans les conduits de plastique ou leurs raccords.



PIECES DE RCHANGE

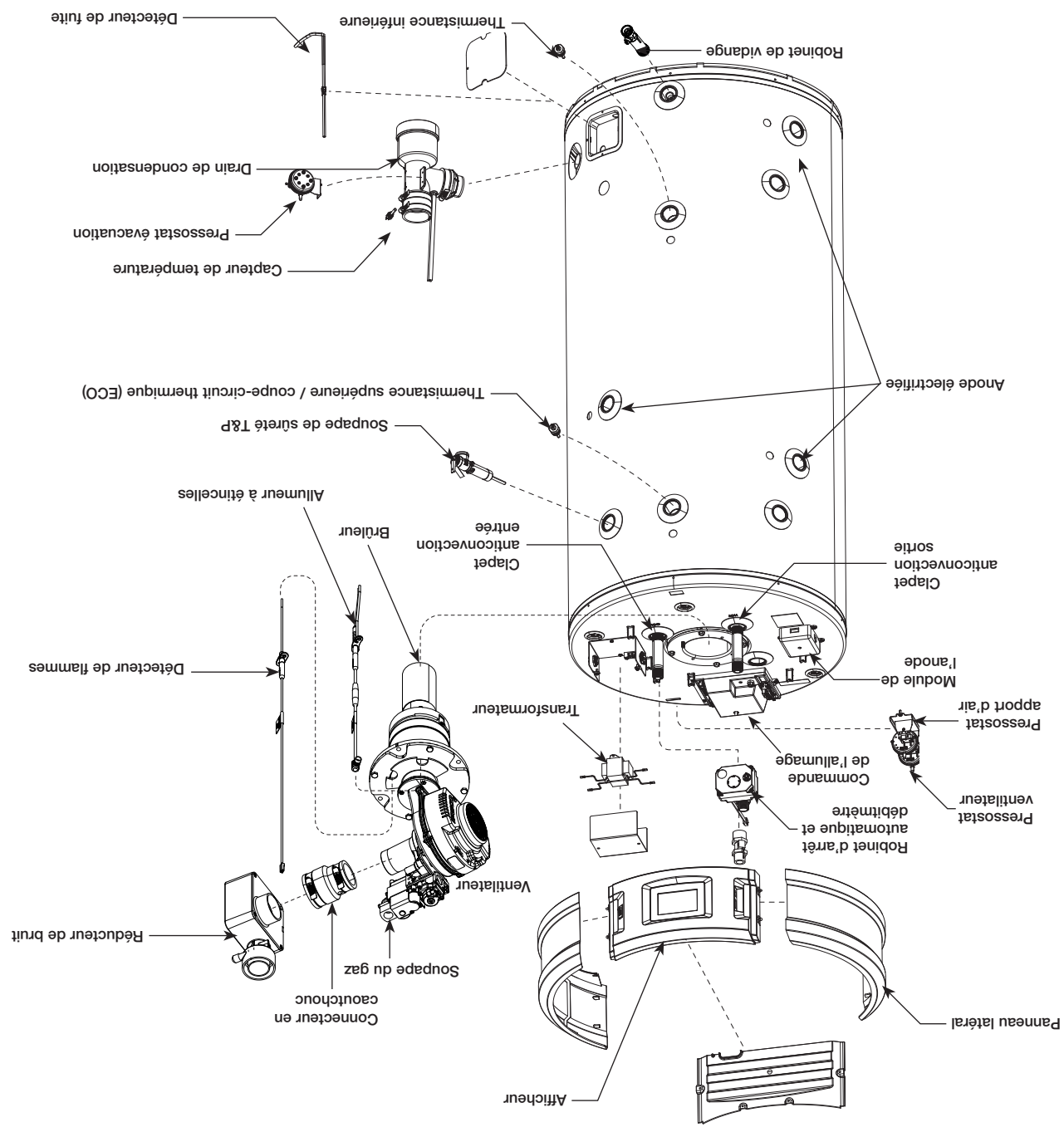
Instructions pour la commande de pièces de rechange 75 USG

ATTENTION

NE PAS tenter de corriger l'alimentation électrique ou en gaz, de réparer la commande du gaz, les brûleurs, les conduits de ventilation ou tout dispositif de sécurité. Faites plutôt appel à un technicien d'entretien qualifié.

Les numéros de modèle et de série indiqués sur la plaque signalétique.
Indiquez le type de gaz (gaz naturel ou propane), comme indiqué sur la plaque signalétique.
La description et le numéro de la pièce (voir ci-dessous).

Veuillez fournir les renseignements suivants:



PIÈCES DE RECHANGE

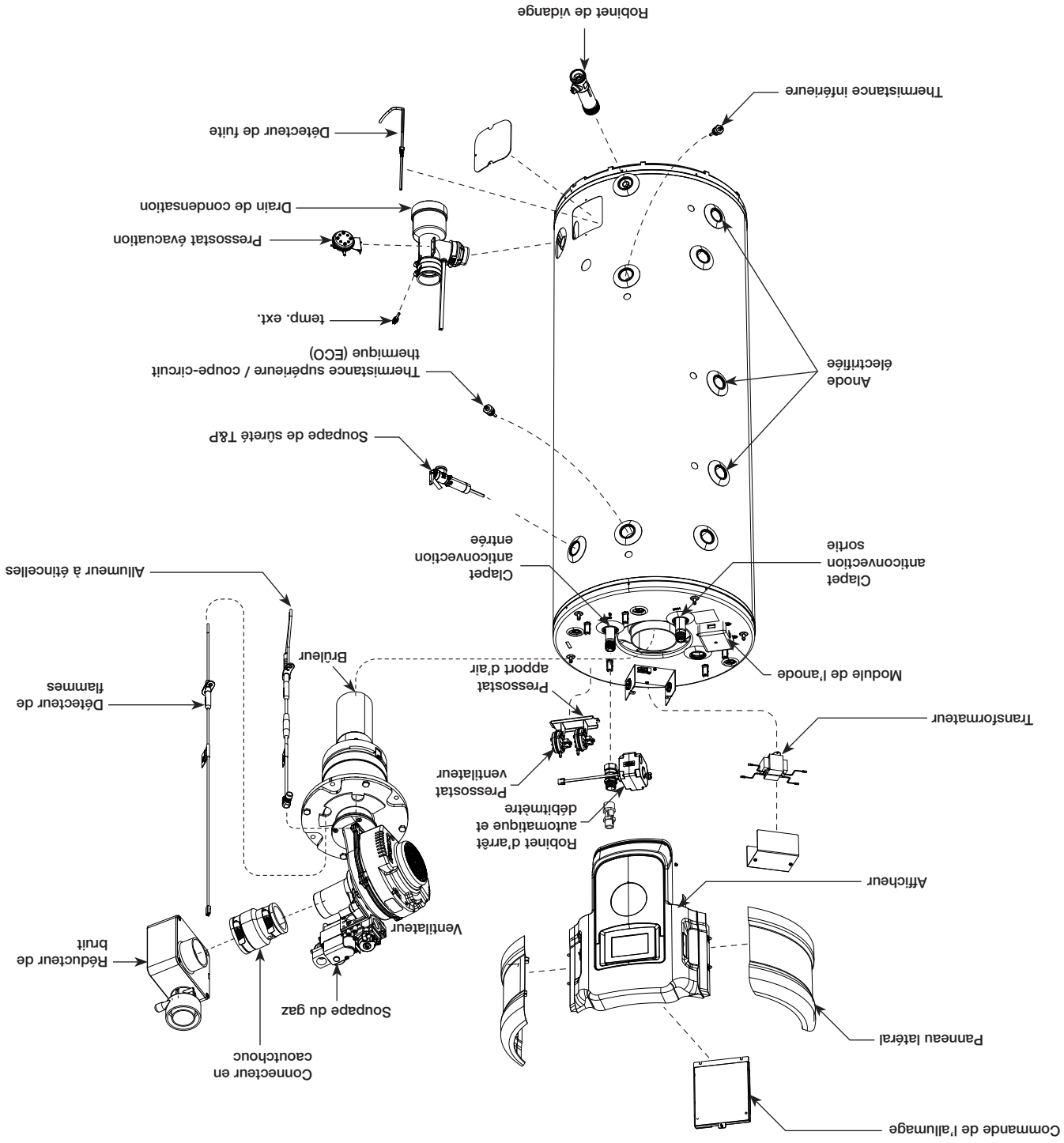
Instructions pour la commande de pièces de rechange 50 USG

ATTENTION

NE PAS tenter de corriger l'alimentation électrique ou en gaz, de réparer la commande du gaz, les brûleurs, les conduits de ventilation ou tout dispositif de sécurité. Faites plutôt appel à un technicien d'entretien qualifié.

Les numéros de modèle et de série indiqués sur la plaque signalétique.
Indiquez le type de gaz (gaz naturel ou propane), comme indiqué sur la plaque signalétique.
La description et le numéro de la pièce (voir ci-dessous).

Veuillez fournir les renseignements suivants:



Codes d'alarme (A) et d'alerte (T)	Description	Texte affiché à l'écran
T137	Alimentation anode > 87% mais < 100%. L'anode approche la fin de sa vie utile.	-> Anode inférieure approche la fin de sa vie utile, mais protège le réservoir. Joindre le soutien technique ou votre fournisseur.
T138	L'ouverture du circuit de l'anode peut être causée par: fil endommagé ou déconnecté, ou anode endommagée.	T138 Anode 4 Open -> Vérifier les connexions de l'anode #4. Si l'erreur persiste, joindre le soutien technique ou votre fournisseur.
T140	Circuit de l'anode en court-circuit, peut être causé par: fil endommagé, anode endommagée ou anode en contact avec le réservoir. Non causé par une mauvaise connexion ou une fuite. La déailliance est liée à l'anode.	T140 Anode 4 Shorted. -> Vérifier les connexions de l'anode #4. Si l'erreur persiste, joindre le soutien technique ou votre fournisseur.
T141	Alimentation anode ≥ 100%; limite de protection atteinte.	T141 Anode 4 Overload. -> Limite atteinte, anode #4. Le réservoir pourrait ne pas être suffisamment protégé. Joindre le soutien technique ou votre fournisseur.
T142	Alimentation anode > 87% mais < 100%. L'anode approche la fin de sa vie utile.	T142 Anode 4 Pre-Overload. -> Anode #4 approche la fin de sa vie utile, mais protège le réservoir. Le réservoir pourrait ne pas être suffisamment protégé. Joindre le soutien technique ou votre fournisseur.
A143	Signal du robinet d'arrêt erroné: les deux interrupteurs sont simultanément OUVERTS ou FERMÉS.	A143 Shutoff Valve Inputs in Error. -> Ouvrir manuellement le robinet, si aucune eau détectée ou si l'appareil n'est pas en entretien. Joindre le soutien technique ou votre fournisseur.
A200	Les versions logicielles du module de l'afficheur et du module d'allumage sont incompatibles.	A200 Incompatible Ignition Control/Display Error. -> Les modules d'allumage et d'affichage sont incompatibles entre eux. Joindre le soutien technique.
T504	Erreur de synchronisation de communication puce WiFi. Ne signifie pas que la puce est défectueuse.	T504 Wifi Chip Communication Error. -> Se reporter au manuel d'utilisation et d'entretien ou joindre le soutien technique ou votre fournisseur.

AVANT D'APPELER UN REPARATEUR...

Codes d'alarme (A) et d'alerte (T)	Description	Texte affiché à l'écran
T119	Inspection et entretien périodiques de l'appareil.	T119 Time to Clean Out the Condensate Drain Trap. -> Consulter le manuel d'utilisation et d'entretien pour les instructions. Joindre Soutien technique ou réparateur au besoin.
T120	Inspection et entretien périodiques de l'appareil.	T120 Time to Replace the Neutralizer. -> Réinitialiser le code d'erreur en appuyant sur le bouton Clear. Consulter le manuel d'utilisation et d'entretien ou Joindre Soutien technique.
T121	Détection d'une absence d'eau dans le réservoir; circuit de l'anode OUVERT.	T121 No Water Detected in Tank. -> Remplir le réservoir d'eau. Si l'erreur persiste, joindre le soutien technique ou votre fournisseur.
T122	Le module de l'afficheur ne reçoit plus de signal du module des anodes électrolytiques.	T122 Powered Anode Control Comm Failure. -> Vérifier les connexions sur la carte électronique du module des anodes. Si l'erreur persiste, joindre le soutien technique ou votre fournisseur.
T123	L'ouverture du circuit de l'anode peut être causée par: fil endommagé ou déconnecté, ou anode endommagée.	T123 Upper Anode Open. -> Vérifier câblage de l'anode supérieure. Si l'erreur persiste, joindre le soutien technique ou votre fournisseur.
T125	Circuit de l'anode en court-circuit, peut être causé par: fil endommagé, anode endommagée ou anode en contact avec le réservoir. Non causé par une mauvaise connexion ou une fuite. La défaillance est liée à l'anode.	T125 Upper Anode Shorted. -> Vérifier câblage de l'anode supérieure. Si l'erreur persiste, joindre le soutien technique ou votre fournisseur.
T126	Alimentation anode $\geq 100\%$; limite de protection atteinte.	T126 Upper Anode Overload. -> Limite atteinte, anode supérieure. Le réservoir pourrait ne pas être entièrement protégé. Joindre le soutien technique ou votre fournisseur.
T127	Alimentation anode $> 87\%$ mais $< 100\%$. L'anode approche la fin de sa vie utile.	T127 Upper Anode Pre-Overload. -> Anode supérieure approche la fin de sa vie utile, mais protège le réservoir. Joindre le soutien technique ou votre fournisseur.
T128	L'ouverture du circuit de l'anode peut être causée par: fil endommagé ou déconnecté, ou anode endommagée.	T128 Middle Anode Open. -> Vérifier câblage de l'anode du milieu. Si l'erreur persiste, joindre le soutien technique ou votre fournisseur.
T130	Circuit de l'anode en court-circuit, peut être causé par: fil endommagé, anode endommagée ou anode en contact avec le réservoir. Non causé par une mauvaise connexion ou une fuite. La défaillance est liée à l'anode.	T130 Middle Anode Shorted. -> Vérifier câblage de l'anode du milieu. Si l'erreur persiste, joindre le soutien technique ou votre fournisseur.
T131	Alimentation anode $\geq 100\%$; limite de protection atteinte.	T131 Middle Anode Overload. -> Limite atteinte, anode du milieu. Le réservoir pourrait ne pas être entièrement protégé. Joindre le soutien technique ou votre fournisseur.
T133	L'ouverture du circuit de l'anode peut être causée par: fil endommagé ou déconnecté, ou anode endommagée.	T133 Lower Anode Open. -> Vérifier câblage de l'anode inférieure. Si l'erreur persiste, joindre le soutien technique ou votre fournisseur.
T135	Circuit de l'anode en court-circuit, peut être causé par: fil endommagé, anode endommagée ou anode en contact avec le réservoir. Non causé par une mauvaise connexion ou une fuite. La défaillance est liée à l'anode.	T135 Lower Anode Shorted. -> Vérifier câblage de l'anode inférieure. Si l'erreur persiste, joindre le soutien technique ou votre fournisseur.
T136	Alimentation anode $\geq 100\%$; limite de protection atteinte.	T136 Lower Anode Overload. -> Limite atteinte, anode inférieure. Le réservoir pourrait ne pas être suffisamment protégé. Joindre le soutien technique ou votre fournisseur.

Codes d'alarme (A) et d'alerte (T)	Description	Texte affiché à l'écran
T105	Vérifier si la sonde est installée dans le bac inférieur. Vérifier la connexion P11, carte électronique de l'allumeur.	->Vérifier la connexion de la sonde. Consulter le manuel d'utilisation et d'entretien ou joindre Soutien technique.
A108	Perte de communication entre carte de l'afficheur et carte de l'allumeur. La carte de l'allumeur continue à fonctionner selon les plus récents paramètres. Vérifier les connexions entre l'afficheur et P5 de la carte de l'allumeur.	->Perte de communications avec la carte de l'allumeur. Si le problème persiste, joindre le Soutien technique ou réparateur.
A110	Échec du test mensuel du robinet d'arrêt automatique (modèles supérieurs seulement). La vanne ne s'est pas refermée dans le délai prévu.	->Échec de fermeture du robinet d'arrêt automatique. Joindre Soutien technique ou réparateur.
A111	Échec du test mensuel du robinet d'arrêt automatique (modèles supérieurs seulement). La vanne ne s'est pas ouverte dans le délai prévu. Désactive le chauffe-eau.	->Désactive le chauffe-eau. Ouvrir manuellement la vanne. Joindre Soutien technique ou réparateur.
A112	Robinet d'arrêt automatique (modèles supérieurs seulement) est fermée. Désactive le chauffe-eau.	->Ouvrir manuellement la vanne s'il ne semble pas y avoir une fuite ou si l'appareil n'est pas en réparation. Joindre Soutien technique ou réparateur.
T113	Intensité du courant de pointe du détecteur de flammes hors de la plage moyenne. Dégradation de la sensibilité du détecteur de flammes (saleté, suie). Nettoyer et inspecter.	T113 Flame Rod Degraded and Needs Servicing ->Nettoyer ou remplacer, selon manuel d'utilisation et d'entretien. Joindre Soutien technique pour plus de détails.
T114	Intensité du courant de pointe du détecteur de flamme nettement hors de la plage moyenne. Nettoyer et inspecter. Remplacer si nécessaire.	T114 Flame Rod Degraded and Needs Servicing ->Nettoyer ou remplacer, selon manuel d'utilisation et d'entretien. Joindre Soutien technique pour plus de détails.
T115	Signaux de surveillance du système de combustion indiquent une dégradation du rendement. Le système de combustion doit être inspecté et entretenu.	T115 Combustion Health Degraded: Needs Service ->Dégradation du rendement du système de combustion. Joindre Soutien technique ou réparateur.
T116	Signaux de surveillance du système de combustion indiquent une importante dégradation du rendement. Le système de combustion doit être inspecté et entretenu.	T116 Combustion Health Degraded. Needs Service ->Réinitialiser le code d'erreur en appuyant sur le bouton Clear. Consulter le manuel d'utilisation et d'entretien ou joindre Soutien technique.
T117	Inspection et entretien périodiques de l'appareil.	T117 Time to Drain and Inspect Tank ->Consulter le manuel d'utilisation et d'entretien pour les instructions, ou joindre Soutien technique ou réparateur.
T118	Inspection et entretien périodiques de l'appareil.	T118 Time to Check Venting for Debris ->Consulter le manuel d'utilisation et d'entretien pour les instructions, ou joindre Soutien technique ou réparateur.

AVANT D'APPELER UN RÉPARATEUR...

AVANT D'APPELER UN RÉPARATEUR...

Codes d'alarme (A) et d'alerte (I)	Description	Texte affiché à l'écran
A038	Les contacts du relais #2 restent fermés. Permet à la soupape du gaz de s'ouvrir à un moment inattendu. Désactive le chauffe-eau.	A038 Gas Relay 2 stuck closed. Call Tech Svc. ->Si le problème persiste, joindre le Soutien technique ou réparateur
A039	Détailance carte électronique du détecteur de flammes; nécessite remplacement si récurrent. Désactive le chauffe-eau.	A039 Flame sense cct fault. Call Tech Service. ->Si le problème persiste, joindre le Soutien technique ou réparateur
A040	Détailance carte électronique (mémoire); nécessite remplacement si récurrent. Désactive le chauffe-eau.	A040 Controller RAM fault. Call Tech Service. ->Si le problème persiste, joindre le Soutien technique ou réparateur
A041	Détailance carte électronique (ROM); nécessite remplacement si récurrent. Désactive le chauffe-eau.	A041 Controller ROM fault. Call Tech Service. ->Si le problème persiste, joindre le Soutien technique ou réparateur
A042	Détailance carte électronique (EEPROM); nécessite remplacement si récurrent. Désactive le chauffe-eau.	A042 Controller EEPROM fault. Call Tech Svc. ->Si le problème persiste, joindre le Soutien technique ou réparateur
A043	Détailance carte électronique (prog. IC); nécessite remplacement si récurrent. Désactive le chauffe-eau.	A043 IC Program execution fault. Call Tech Svc ->Si le problème persiste, joindre le Soutien technique ou réparateur
A044	Fréquence de l'alimentation électrique n'est pas à 60 Hz (hors des limites admissibles). Désactive le chauffe-eau.	A044 Processor Clock/Line Frequency Disagree ->Si le problème persiste, joindre le Soutien technique ou réparateur
A101	Détailance carte électronique (données de configuration); nécessite remplacement si récurrent. Désactive le chauffe-eau.	A101 Configuration Data Restore Failure ->Échec d'initialisation du système de contrôle au démarrage. Joindre Soutien technique ou réparateur.
A102	Régler l'heure pour l'horloge interne.	A102 Time Clock needs to be programmed ->Paramètres, menu time/date, réglez l'heure et la date.
A103	Détailance carte électronique de l'afficheur; nécessite remplacement si récurrent. Désactive le chauffe-eau.	A103 Time Clock not advancing time properly ->Joindre un réparateur qualifié.
A104	Présence d'eau détectée par la sonde du bac inférieur. Trouver la source et faire cesser la fuite. Selon les paramètres actifs, peut désactiver le chauffe-eau.	A104 Water Leak Detected ->Eau détectée par la sonde/carte électronique. ->Joindre un réparateur qualifié.

Codes d'alarme (A) et d'alerte (T)	Description	Texte affiché à l'écran
A025	Aucune rotation du ventilateur détectée. Désactive le chauffe-eau.	->Joindre Soutien technique ou réparateur.
A026	Vitesse de rotation détectée ≥ 300 RPM de la valeur-cible > 1 minute.	A026 Blower expected RPM vs actual RPM mismatch. ->Joindre Soutien technique ou réparateur.
A027	Signal de détection de flammes avant l'ouverture de la soupape de gaz. Désactive le chauffe-eau.	A027 Flame present before ignit. Call Tech Svc. ->Réinitialiser le code d'erreur en mettant l'appareil à l'arrêt, puis en le remettant en marche. Si le problème persiste, joindre le Soutien technique ou réparateur
A028	Signal de détection de flammes 10 secondes après la fermeture de la soupape de gaz. Désactive le chauffe-eau.	A028 Flame present w/o heating. Call Tech Svc. ->Réinitialiser le code d'erreur en mettant l'appareil à l'arrêt, puis en le remettant en marche. Si le problème persiste, joindre le Soutien technique ou réparateur
T029	Le chauffe-eau n'allume pas.	T029 Failed ignition. Retrying.
A030	Perte du signal de flammes.	A030 Flame lost during heating. Retrying.
T032	Thermistance inférieure (entrée): erreur de conversion A/D.	T032 Lower Tank temp A/D error. Call Tech Svc. ->Si le problème persiste, joindre le Soutien technique ou réparateur
A033	Thermistance conduit d'évacuation: erreur de conversion A/D.	A033 Flue sensor A/D error. Call Tech Service. ->Si le problème persiste, joindre le Soutien technique ou réparateur
A034	Thermistance supérieure (sortie): erreur de conversion A/D.	A034 Upper Tank temp A/D error. Call Tech Svc. ->Si le problème persiste, joindre le Soutien technique ou réparateur
A035	Non-fermeture des contacts du relais #1 de la commande du gaz. L'appareil reprend de nouveaux cycles d'allumage.	T035 Gas Relay 1 stuck open. Call Tech Service ->Si le problème persiste, joindre le Soutien technique ou réparateur
A036	Les contacts du relais #1 restent fermés. Permet à la soupape du gaz de s'ouvrir à un moment inattendu. Désactive le chauffe-eau.	A036 Gas Relay 1 stuck closed. Call Tech Svc. ->Si le problème persiste, joindre le Soutien technique ou réparateur
A037	Non-fermeture des contacts du relais #2 de la commande du gaz. Peut entraîner un cyclage répétitif et l'accumulation de gaz dans la chambre de combustion. Désactive le chauffe-eau.	A037 Gas Relay 2 stuck open. Call Tech Service ->Si le problème persiste, joindre le Soutien technique ou réparateur.

AVANT D'APPELER UN RÉPARATEUR...

AVANT D'APPELER UN REPARATEUR...

Codes d'alarme (A) et d'alerte (T)	Description	Texte affiché à l'écran
A012	Flamme détectée en mode Attente/Désactive	A012 Réinitialiser le code d'erreur en mettant l'appareil à l'arrêt, puis en le remettant en marche. Si le problème persiste, joindre le Soutien technique ou réparateur
A016	Circuit du coupe-circuit thermique (ECO) est ouvert. Désactive le chauffe-eau.	A016 High Tank Temperature. Call Tech Service. ->Réinitialiser le code d'erreur en appuyant sur le bouton Clear. Consulter le manuel d'utilisation et d'entretien ou joindre Soutien technique.
A017	Température des gaz de combustion supérieure à 155°C (68°C). Désactive le chauffe-eau.	A017 High Flue Temp. Recycle unit ON/OFF. ->Le ventilateur continue à tourner jusqu'à ce que descende la température dans le conduit d'évacuation. Si le problème persiste, joindre le Soutien technique ou réparateur.
A018	Circuit du capteur de température (thermistance) de l'évacuation est ouvert. Désactive le chauffe-eau.	A018 Flue Temp Sensor open. Check wiring. ->Vérifier les fils du capteur. Si le problème persiste, se rapporter au manuel d'utilisation et d'entretien ou joindre le Soutien technique.
A019	Circuit du capteur de température (thermistance) de l'évacuation est en court-circuit. Désactive le chauffe-eau.	A019 Flue Temp Sensor shorted. Call Tech Svc. ->Vérifier les fils du capteur. Si le problème persiste, se rapporter au manuel d'utilisation et d'entretien ou joindre le Soutien technique.
T020	Circuit du capteur de température (thermistance) du raccord inférieur est ouvert.	T020 Lower Tank Sensor open. Check wiring. ->Vérifier les fils du capteur. Si le problème persiste, se rapporter au manuel d'utilisation et d'entretien ou joindre le Soutien technique.
T021	Circuit du capteur de température (thermistance) du raccord inférieur est en court-circuit.	T021 Lower Tank Sensor shorted. Call Tech Svc. ->Vérifier les fils du capteur. Si le problème persiste, se rapporter au manuel d'utilisation et d'entretien ou joindre le Soutien technique.
A022	Circuit du capteur de température (thermistance) du raccord supérieur est ouvert. Désactive le chauffe-eau.	A022 Upper Tank Sensor open. Check wiring. ->Vérifier les fils du capteur. Si le problème persiste, se rapporter au manuel d'utilisation et d'entretien ou joindre le Soutien technique.
A023	Température dans la partie supérieure du réservoir est supérieure à 96°C (205°F). Désactive le chauffe-eau.	A023 Upper Tank temp. too hot. Call Tech Svc. ->Réinitialiser le code d'erreur en appuyant sur le bouton Clear. Consulter le manuel d'utilisation et d'entretien ou joindre Soutien technique.
A024	Circuit du capteur de température (thermistance) du raccord supérieur est en court-circuit. Désactive le chauffe-eau.	A024 Upper Tank sensor shorted. Call Tech Svc. ->Vérifier les fils du capteur. Si le problème persiste, se rapporter au manuel d'utilisation et d'entretien ou joindre le Soutien technique.

Codes d'alarme (A) et d'alerte (T)	Description	Texte affiché à l'écran
A001	Verrouillage de l'allumage à la suite de 9 échecs consécutifs d'allumage. Désactive le chauffe-eau.	A001 Ignition lockout. ->Réinitialiser le code d'erreur en mettant l'appareil à l'arrêt, puis en le remettant en marche. Si le problème persiste, joindre le soutien technique ou réparateur.
A002	Verrouillage, instabilité des flammes. Trois pertes de signal de flammes lors d'un même cycle de chauffe. Désactive le chauffe-eau.	A002 Flame is not stable. ->Réinitialiser le code d'erreur en mettant l'appareil à l'arrêt, puis en le remettant en marche. Si le problème persiste, joindre le soutien technique ou réparateur.
A003	Le circuit du pressostat s'est ouvert pendant que le ventilateur fonctionnait. Désactive le chauffe-eau.	A003 Intake Switch open. Check Wiring/Venting ->Vérifier les fils du pressostat et les conduits de ventilation. Si le problème persiste, joindre le Soutien technique ou réparateur.
A004	Le circuit du pressostat s'est ouvert pendant un cycle de chauffage. Désactive le chauffe-eau.	A004 Pof Switch error H. Check Blower/Wiring. ->Vérifier les fils du pressostat et les conduits de ventilation. Si le problème persiste, joindre le Soutien technique ou réparateur.
A005	Le circuit du pressostat s'est ouvert pendant un cycle de pré-purge. Désactive le chauffe-eau.	A005 Pof Switch error E. Check Blower/Wiring. ->Vérifier les fils du pressostat et les conduits de ventilation. Si le problème persiste, joindre le Soutien technique ou réparateur.
A006	Le circuit du pressostat s'est ouvert pendant un cycle de post-purge.	A006 Pof Switch error P. Check Blower/Wiring. ->Vérifier les fils du pressostat et les conduits de ventilation. Si le problème persiste, joindre le Soutien technique ou réparateur.
A007	Le circuit du pressostat d'évacuation s'est ouvert pendant un cycle de chauffe. Désactive le chauffe-eau.	A007 Exhaust Switch open. Check Wiring/Venting ->Vérifier les fils du pressostat et les conduits de ventilation. Si le problème persiste, joindre le Soutien technique ou réparateur.
A008	Le circuit du pressostat est fermé avant la mise en marche du ventilateur. Désactive le chauffe-eau.	A008 Pof Switch/Blower mismatch. Call Tech Svc ->Le circuit du pressostat est fermé alors que le ventilateur est désactivé. Joindre Soutien technique ou réparateur.

AVANT D'APPELER UN REPARATEUR...

Guide de dépannage



Économisez temps et argent! Consultez ce Guide de dépannage avant tout, il pourrait vous éviter d'avoir à appeler un réparateur.

Problème	Cause possible	À faire
Le brûleur ne s'allume pas	Mauvaise mise à la masse de l'appareil ou mise à la terre du circuit d'alimentation.	S'assurer que l'appareil est correctement mis à la masse/terre.
Le brûleur ne reste pas allumé	Les flammes n'entrent pas en contact avec le détecteur de flammes.	Appeler un technicien d'entretien qualifié.
	Mauvaise mise à la masse de l'appareil ou mise à la terre du circuit d'alimentation.	S'assurer que l'appareil est correctement mis à la masse/terre.
Pas assez d'eau chaude ou pas d'eau chaude.	La consommation d'eau chaude dépasse la capacité du chauffe-eau.	Attendre que le chauffe-eau génère plus d'eau chaude à la suite d'une grande demande.
	Faible pression de gaz	Mesurer la pression d'admission en gaz du chauffe-eau.
	Réglage du point de consigne trop bas	Consulter la section "Interface-utilisateur" de ce manuel pour savoir comment régler la température.
	Robinet d'eau chaude ouverts ou fuites	S'assurer que les tous les robinets d'eau chaude sont fermés.
	Interrupteur "ON/OFF" désactivé	S'assurer que l'interrupteur est à la position "ON".
	La température de l'eau froide est plus basse qu'à l'habitude.	Il se pourrait que la température de l'eau froide s'abaisse en hiver. Attendre que le chauffe-eau chauffe le contenu du réservoir.
	Le brûleur ne reste pas allumé	Lire la section "Brûleur principal" du présent manuel.
	Réglage du point de consigne trop élevé	Consulter la section "Interface-utilisateur" de ce manuel pour savoir comment régler la température.

ATTENTION:

Assurez-vous de couper l'alimentation électrique du chauffe-eau avant de retirer le couvercle, POUR TOUTE RAISON.

ATTENTION:

Étiquetez tous les fils avant de les déconnecter lors d'un entretien. Des erreurs de raccordement peuvent entraîner un fonctionnement erratique ou dangereux. ASSUREZ-VOUS DU BON FONCTIONNEMENT DU CHAUFFE-EAU À LA SUITE DE TOUT ENTRETIEN!

ATTENTION:

NE PAS tenter de corriger l'alimentation électrique ou en gaz, de réparer la commande du gaz, les brûleurs, les conduits de ventilation ou tout dispositif de sécurité. Faites plutôt appel à un technicien d'entretien qualifié.

NOTE: Notre Service technique peut vous envoyer un manuel de formation contenant des informations de dépannage et de réparation plus avancées.

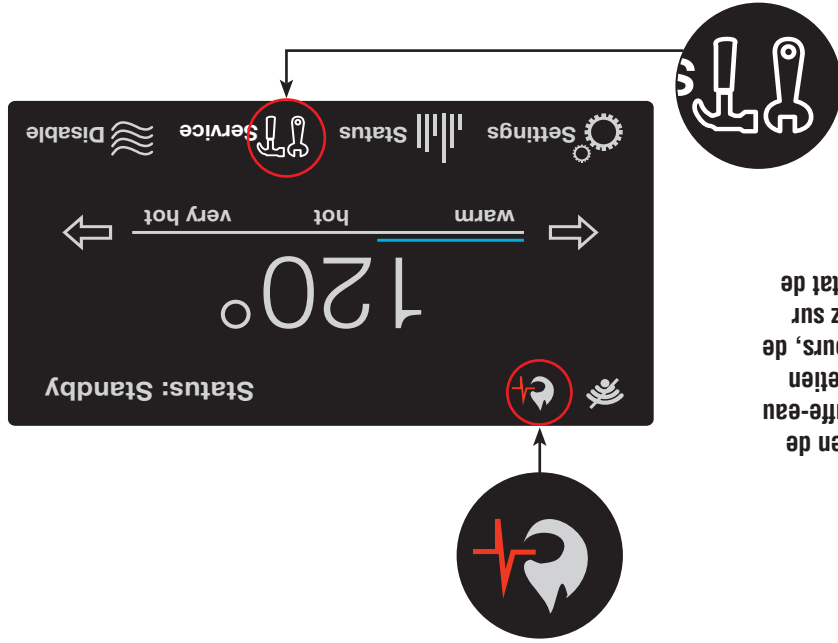
AVANT D'APPELER UN RÉPARATEUR...

Guide de dépannage

Économisez temps et argent! Consultez ce Guide de dépannage avant tout, il pourrait vous éviter d'appeler un réparateur.



Si l'un des indicateurs de santé ou si l'icône d'entretien de l'écran d'accueil clignote, cela signale que votre chauffe-eau nécessite une intervention. Appuyez sur l'icône d'entretien pour visualiser les pages des alarmes et alertes en cours, de l'historique des alarmes et de l'état de santé. Appuyez sur l'icône de l'état de santé pour atteindre la page de l'état de santé.



Problème	Causes probables		À faire
Écran éteint	Appareil non alimenté en électricité		Vérifier le disjoncteur de l'appareil, le bouton marche/arrêt et le fusible de la carte électronique de l'allumeur.
Le ventilateur ne fonctionne pas	Harnais de câbles de la carte est déconnecté		S'assurer que le harnais de câbles de la carte électronique est connecté.
	Le moteur du ventilateur n'est pas alimenté en électricité		S'assurer que la carte électronique et tous les câbles du ventilateur sont connectés et alimentés en électricité. S'assurer que les câbles ou leurs connecteurs sont en bon état.
Le brûleur ne s'allume pas	Air dans les conduites du gaz		Laisser l'appareil effectuer au moins 3 cycles d'allumage, afin de purger l'air des conduites de gaz. Si l'appareil n'effectue pas de cycle d'allumage, appelez un technicien d'entretien qualifié pour qu'il purge les conduites du gaz.
	Robinet d'arrêt manuel du gaz refermé.		S'assurer que le robinet d'arrêt manuel du gaz de l'appareil est bel et bien ouvert.
	Conduit d'apport d'air ou d'évacuation bloqué		Appeler un technicien d'entretien qualifié pour qu'il évalue la sévérité du blocage.
	Pressostat		S'assurer que les tubes du pressostat ne sont pas tordus ou déconnectés. Un blocage du conduit d'apport d'air ou d'évacuation empêche le pressostat de fermer le circuit et le chauffe-eau de fonctionner. Appeler un technicien d'entretien qualifié.
	Mauvaises connexions électriques		Appeler un technicien d'entretien qualifié.
			Appeler un technicien d'entretien qualifié.

Lorsque bien entretenu, votre chauffe-eau vous procurera une fiabilité sans pareille des années durant. Nous

suggérons fortement que le propriétaire du chauffe-eau mette en place et applique un programme d'entretien régulier. Il est

aussi suggéré qu'un technicien d'entretien qualifié effectue une inspection périodique de la soupape de sûreté et du système de ventilation.

1. ENTRETIEN PRÉVENTIF PÉRIODIQUE

PRESSOSTAT — Inspectez le pressostat du conduit d'apport d'air et assurez-vous de l'absence de débris ou de blocages. Nettoyez régulièrement le conduit afin de

prévenir toute accumulation de débris.

B. COLLECTEUR DE CONDENSATION — Assurez-vous de l'absence de blocage.

C. CONNEXIONS ÉLECTRIQUES — Inspectez régulièrement tous les raccords électriques et l'état du filage.

⚠ ATTENTION:

Étiquetez tous les fils avant de les déconnecter lors d'un entretien.

Des erreurs de raccordement peuvent entraîner un fonctionnement erratique ou dangereux.

⚠ ATTENTION:

ASSUREZ-VOUS DU BON FONCTIONNEMENT DU CHAUFFE-EAU APRÈS TOUT ENTRETIEN!

Coupez l'alimentation électrique du chauffe-eau ("OFF") avant d'effectuer toute inspection ou tout entretien.

Avant de manuellement déclencher la soupape de sûreté, assurez-vous qu'aucune personne ne sera exposée au jet d'eau chaude expulsé par celle-ci. L'eau ainsi vidangée risque d'être suffisamment chaude pour présenter un risque d'ÉBOULLANTAGE. L'eau doit être dirigée vers un drain de capacité suffisante afin d'éviter toute blessure ou tout dommage.

AVIS: une décharge occasionnelle par la soupape de sûreté température et pression est parfois le résultat d'un phénomène d'expansion thermique dans un système d'alimentation "fermé". Communiquez avec votre fournisseur d'eau ou un inspecteur en plomberie pour vous informer sur les méthodes de contrôle de la pression. **NE PAS boucher l'orifice de la soupape de sûreté.**

ENTRETIEN

E. RÉSERVOIR — Une routine d'entretien périodique doit inclure le nettoyage des dépôts du réservoir. Surt si la source d'eau est très douce (dureté de 0 à 5 grains), de dépôts de calcaire et de tartre s'accumulent inévitablement dans le réservoir. De plus, le rythme d'accumulation de dépôts calcaires varie en fonction de la température de l'eau. Ces accumulations calcaires peuvent réduire l'efficacité du chauffe-eau et réduire sa durée de vie.

Il est suggéré de drainer chaque mois quelques litres du réservoir afin d'évacuer ces dépôts.

F. MISE HORS-SERVICE SAISONNIÈRE — S'il est prévu que le chauffe-eau demeurera inutilisé pendant une longue période de temps (60 jours ou plus), il devrait être mis à l'arrêt. Le chauffe-eau et ses conduites d'eau devraient être drainés s'il y a possibilité d'une exposition au gel. Il est recommandé de faire vérifier les composantes et le bon fonctionnement du chauffe-eau par un technicien d'entretien qualifié avant sa remise en service. **AVIS:** Se reporter à la note d'avertissement relative à l'hydrogène gazeux dans la section « Précautions de sécurité » du présent manuel. Il est suggéré de drainer chaque mois quelques litres du réservoir afin d'évacuer ces dépôts.

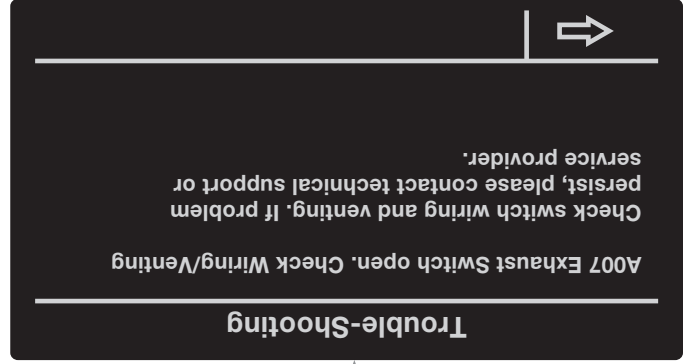
G. SYSTÈME DE VENTILATION — Inspectez le système de ventilation au moins annuellement afin de vous assurer que ses conduits sont libres de toute obstruction et que le tuyau de raccordement entre le ventilateur du chauffe-eau et le conduit de ventilation soit bien positionné et solidement fixé. Le cas échéant, nettoyez toute obstruction du tuyau de raccordement ou de la terminaison.

INTERFACE-UTILISATEUR

ALARMES ACTIVES (CURRENT ALARMS): la page des alarmes actives affiche les irrégularités détectées par le contrôleur du chauffe-eau. Appuyez sur "more info" pour afficher plus de détails sur le problème courant. La page "alarm history" affiche la liste des précédentes alarmes.



Sélectionnez "more info" pour obtenir une description plus détaillée de l'alarme courante.



HISTORIQUE DES ALARMES (ALARM HISTORY): affiche la liste des alarmes précédentes.



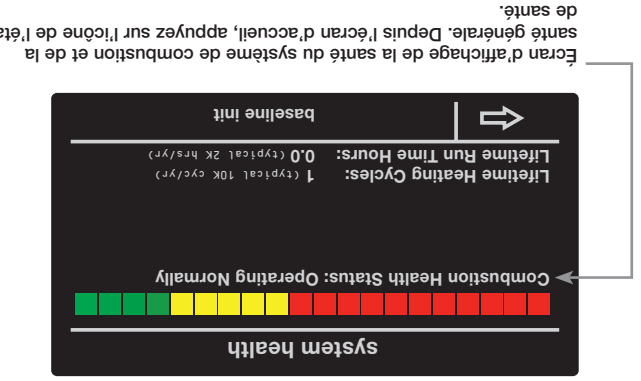
SANTÉ DU SYSTÈME (SYSTEM HEALTH): affiche la santé du système de combustion et du système en général. Ces systèmes peuvent avoir l'un des 3 niveaux de santé suivants:

- SANTÉ COMBUSTION:**
1. Fonctionnement normal - aucune action requise.
 2. Planifier entretien ou remplacement.
 3. Besoin d'entretien - joindre réparateur.



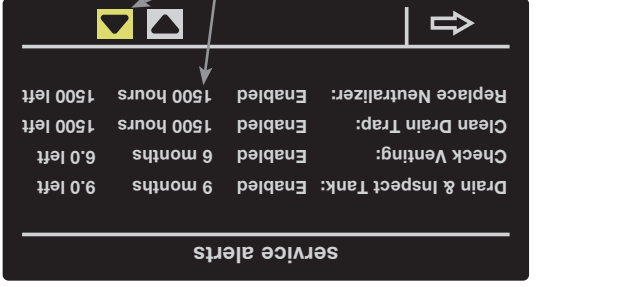
Cette icône s'affiche sur l'écran d'accueil lorsque l'état du système de combustion est critique. Appuyez sur cette icône pour afficher l'écran de santé du système.

ALERTES D'ENTRETIEN (SERVICE ALERTS): la page "service alerts" permet de configurer la méthode et la fréquence de communication des alertes de nettoyage du collecteur de condensation, de remplacement du neutralisant, ainsi que de vidange et d'inspection du réservoir.



Écran d'affichage de la santé du système de combustion et de la santé générale. Depuis l'écran d'accueil, appuyez sur l'icône de l'état de santé.

ALERTES D'ENTRETIEN (SERVICE ALERTS): la page "service alerts" permet de configurer la méthode et la fréquence de communication des alertes de nettoyage du collecteur de condensation, de remplacement du neutralisant, ainsi que de vidange et d'inspection du réservoir.



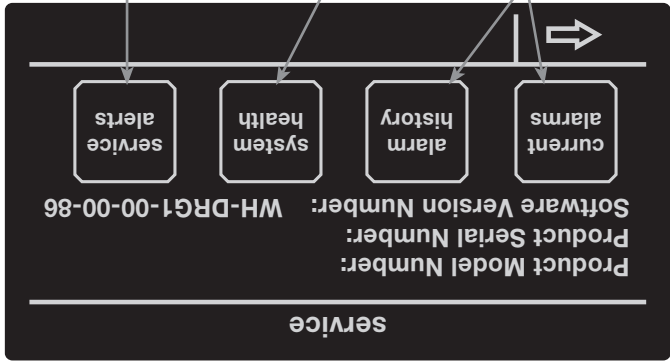
Sélectionnez cette option, puis appuyez sur la flèche vers le haut ou vers le bas pour sélectionner les préférences d'avertissement d'entretien.

INTERFACE-UTILISATEUR

S'il y a une alarme active, le bouton "Service" de l'écran d'accueil clignote. Il suffit d'appuyer sur le bouton "Service" pour afficher les alarmes actives ainsi que l'historique des alarmes.



Appuyez sur "Service" pour afficher les pages d'alarmes, d'alertes et de santé du système.



Les pages "current alarms" et "alarm history" vous permettent de voir les alarmes actives et l'historique des alarmes. La page "system health" affiche la santé du système et du système en de combustion général. La page "service alerts" permet de configurer la méthode et la fréquence de communication des alertes de ventilation de remplacement du réservoir, ainsi que de vidange et d'inspection du réservoir.

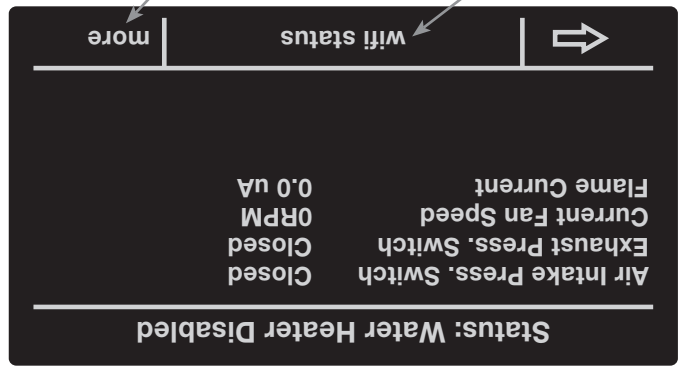
vidange et d'inspection du réservoir.

remplacement du de condensation, de nettoyage du collecteur

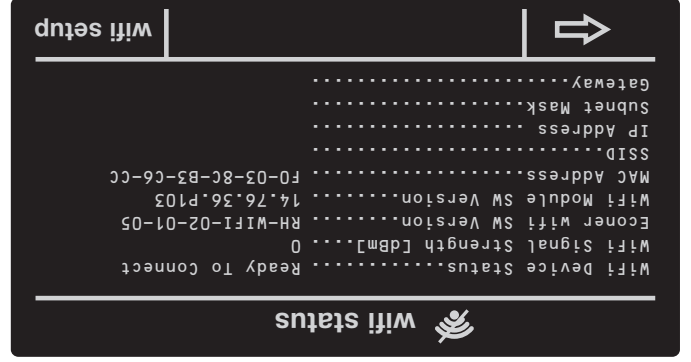
alères de ventilation de méthode et la fréquence

de communication des alertes de ventilation de

vidange et d'inspection du réservoir.

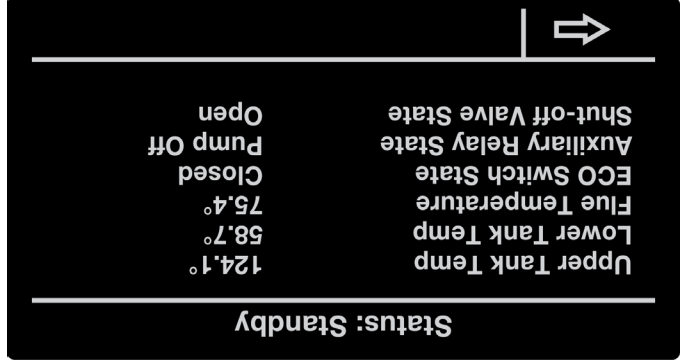


Sélectionnez "wifi status" pour connaître l'état de l'interface Wi-Fi et la configurer. Appuyez sur "more" pour afficher les températures du système, ainsi que les statuts du coupe-circuit thermique et du relais auxiliaire. **STATUT WI-FI (WI-FI STATUS):** appuyez sur 'wifi status' pour atteindre la page de statut et de paramétrage de l'interface Wi-Fi du chauffe-eau.



Sélectionnez "wifi setup" pour connecter votre chauffe-eau à votre réseau sans fil.

AUTRES FONCTIONS (MORE): appuyez sur 'more' pour afficher la température au haut et au bas du réservoir, ainsi que dans le conduit d'évacuation, l'état du coupe-circuit thermique (ECO) et du relais auxiliaire.

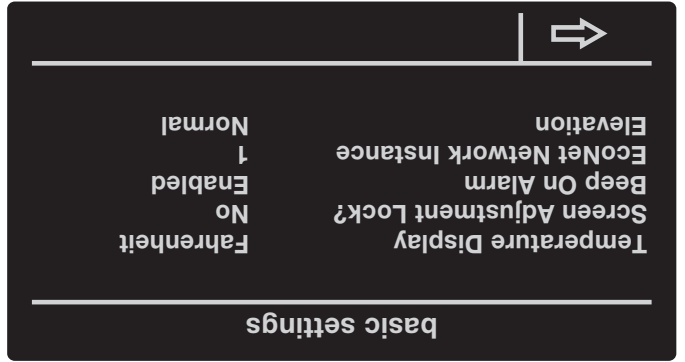


MENU ENTRETIEN (SERVICE)

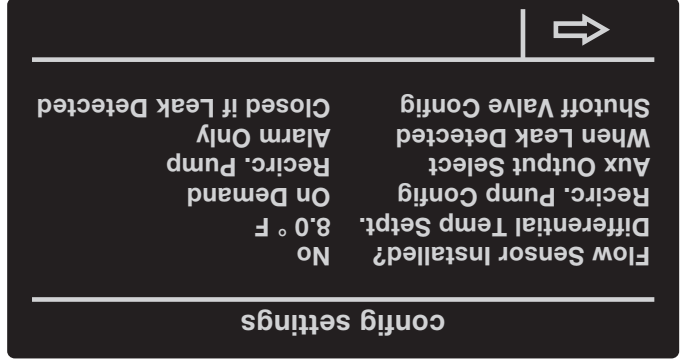
L'écran d'entretien une série de renseignements sur l'appareil: description, alarmes, santé du système et alertes d'entretien. Pour plus de détails sur les codes d'alarmes, consultez la section "Avant d'appeler un réparateur" du présent manuel.

INTERFACE-UTILISATEUR

PARAMÈTRES DE BASE: Sélection de l'unité de température, verrouillage/déverrouillage de l'écran, activation/désactivation du signal sonore d'alarme et configuration de l'interface Econet. Il suffit d'appuyer sur les flèches haut/bas pour modifier les réglages. Cet écran donne aussi accès à la configuration Wi-Fi.



PARAMÈTRES DE CONFIGURATION: Sélection du mode de chauffage, réglage de la pompe de recirculation, entrée/sortie auxiliaire, activation/désactivation de la modulation de puissance, configuration de l'alarme de détection de fuite. Pour modifier ce paramètre, il suffit de le toucher et d'appuyer sur les flèches haut/bas pour modifier la sélection.

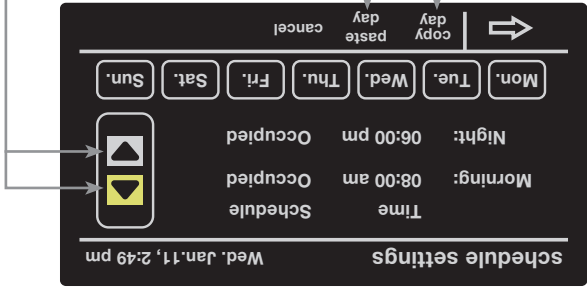


Configuration de la pompe de recirculation:
Off - Lorsque la pompe de recirculation n'est pas utilisée ou installée.
On - Pour manuellement activer la pompe. Fonction utile pour tester l'installation. Non recommandé en fonctionnement normal.

Horaire - La pompe de recirculation fonctionne sur un cycle "marche/15 min, arrêt 15 min" quand le chauffe-eau est au mode « Home » (voir RÉGLAGES DE L'HORAIRE). Quand le chauffe-eau est en mode « Away », la pompe de recirculation ne fonctionne pas.
À la demande - La pompe de recirculation peut être configurée pour être activée à partir de l'application mobile. Lorsqu'elle est ainsi activée, la pompe fonctionne pendant 15 minutes.

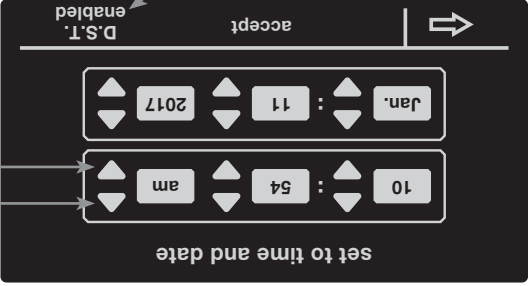
Ce chauffe-eau possède une option de modulation de la puissance. Il est possible de la désactiver en sélectionnant 'No' pour l'option 'Modulation Disabled' à l'aide des flèches.

HORAIRE (SCHEDULE SETTINGS): permet de définir l'heure d'activation et de désactivation du chauffe-eau. Vous pouvez définir l'heure de fonctionnement (jours et heures) de votre chauffe-eau. Pour accélérer cette procédure, vous pouvez copier/coller l'heure d'un jour à l'autre.



Les flèches haut/bas servent au réglage de l'heure et de l'horaire de fonctionnement. Utilisez les fonctions Copy pour copier les paramètres de la journée sélectionnée dans une autre journée.

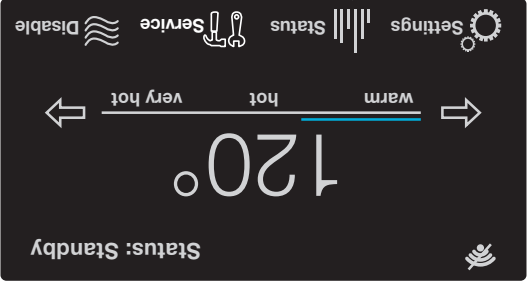
HEURE ET DATE (TIME/DATE SETTINGS): pour régler la date et l'heure du système. Si applicable, sélectionnez l'option d'heure avancée (D.S.T.).



La fonction DST (heure avancée) permet de tenir compte des changements d'heures saisonniers. Les flèches haut/bas servent au réglage de l'heure, du jour, du mois et de l'année.

MENU STATUT (STATUS)

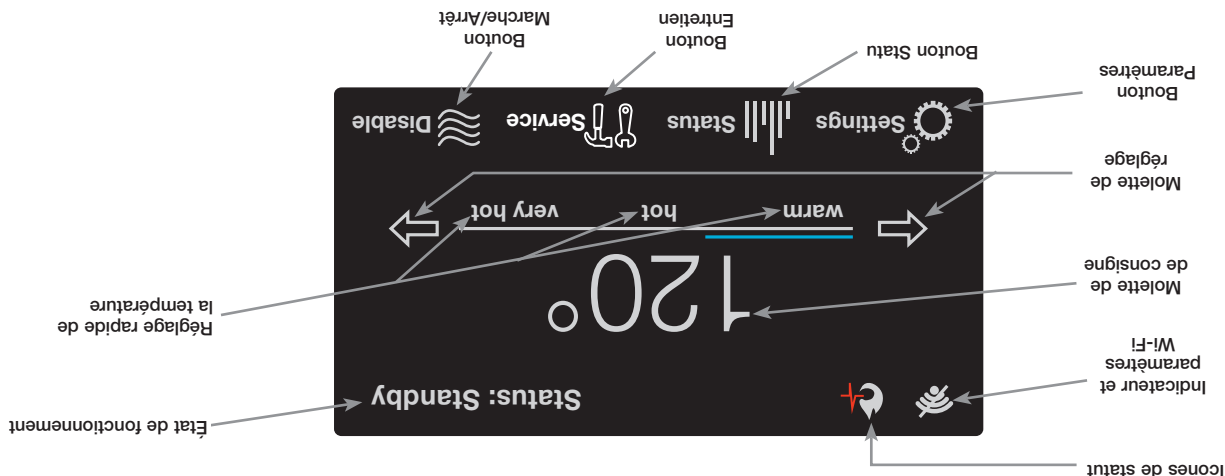
L'écran Statut "Status" procure des renseignements sur le mode de fonctionnement actuel, les codes diagnostiques et l'état des détecteurs. Il indique aussi le statut de l'interface Wi-Fi.



Il suffit d'appuyer sur le bouton "Status" pour afficher le statut d'une série de fonctions du chauffe-eau.

INTERFACE-UTILISATEUR

UTILISATION DE L'ÉCRAN PRINCIPAL

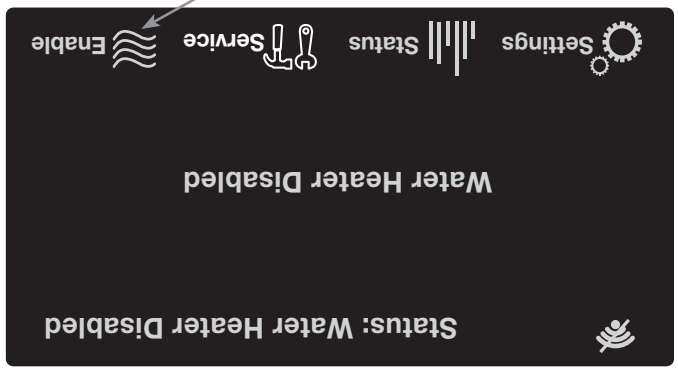


Il suffit d'appuyer sur 'warm', 'hot', ou 'very hot' pour sélectionner la température de consigne correspondante. Le menu PARAMÈTRES (SETTINGS) donne accès aux paramètres et réglages de l'heure/date

MISE EN SERVICE
Une fois le chauffe-eau alimenté en électricité, appuyez sur le bouton de mise en marche; l'assistant de démarrage de l'afficheur ACL suggèrera la configuration des paramètres suivants:
1. Configuration de l'heure et de la date
2. Configuration des heures d'ouverture du commerce
3. Configuration Wi-Fi

Suivez les instructions affichées à l'écran pour effectuer ces configurations. Certains des paramètres peuvent être remis à plus tard.

MISE EN MARCHÉ DE L'APPAREIL



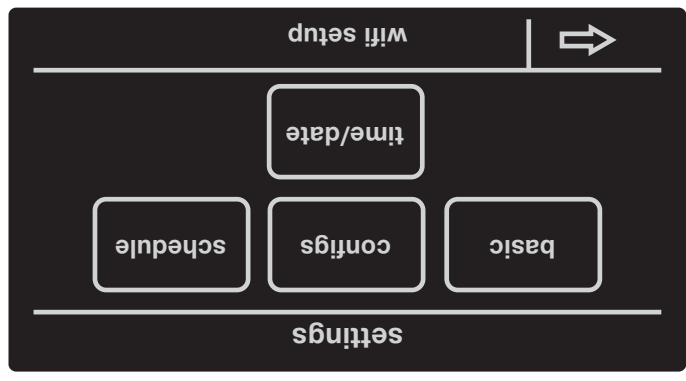
Appuyez sur le bouton Enable pour mettre le chauffe-eau en marche.

RÉGLAGE DE LA TEMPÉRATURE

La température de l'eau du réservoir se maintient à la température de consigne indiquée sur l'écran d'accueil. Pour modifier la température de consigne, appuyez sur la flèche appropriée à l'écran pour sélectionner la valeur désirée. Vous pouvez aussi sélectionner l'un des 3 paramètres préprogrammés, dont la température correspond aux valeurs suivantes:
Tiède: 43°C (110°F)
Chaude: 49°C (120°F)
Très chaude: 71°C (160°F)

⚠ DANGER:

La sélection d'une température plus élevée augmente les risques d'ÉBOULLANTAGE.



Pour commencer, appuyez sur l'icône Paramètres.

FONCTIONNEMENT

PRÉCAUTIONS

F. Si vous avez de la difficulté à comprendre ou à suivre les directives d'UTILISATION ou d'ENTRETIEN, il est recommandé de faire appel à une personne qualifiée ou à un technicien d'entretien.

⚠️ AVERTISSEMENT:

Du gaz hydrogène peut être généré dans les conduites d'eau chaude alimentées par ce chauffe-eau lorsque celui-ci est inutilisé pendant une longue période (habituellement deux semaines et plus). LE GAZ HYDROGÈNE EST EXTRÊMEMENT INFLAMMABLE! Dans le but d'évacuer ce gaz et de réduire les risques de blessures, il est recommandé d'ouvrir le robinet d'eau chaude de l'évier de la cuisine pendant plusieurs minutes avant d'utiliser tout appareil électrique connecté au réseau d'alimentation en eau chaude. Lorsque du gaz hydrogène est présent dans les conduites, un gargouillement inhabituel et des éclaboussures peuvent se produire, comme il arrive souvent lorsque de l'air est entraîné par de l'eau. NE PAS fumer pas ni approcher une flamme à proximité du robinet lors de son ouverture.

A. Fermez le robinet d'arrêt manuel du gaz du chauffe-eau si celui-ci a surchauffé, s'il a été exposé à un incendie ou à une inondation, s'il est endommagé ou si la commande du gaz ne coupe pas l'alimentation en gaz.

B. NE PAS mettre le chauffe-eau sous tension si son réservoir n'est pas complètement rempli d'eau.

C. NE PAS mettre pas le chauffe-eau sous tension si le robinet d'arrêt de la canalisation d'alimentation en eau froide du chauffe-eau est fermée.

D. NE PAS ranger ni utiliser de l'essence ou d'autres liquides ou vapeurs inflammables (ex.: adhésifs, diluant) à proximité de cet appareil ou de tout autre appareil. Si ces produits doivent être utilisés à proximité, ouvrez les portes et fenêtres pour ventiler la pièce et fermez tous les appareils au gaz, y compris leur veilleuse, afin d'éviter l'allumage des vapeurs inflammables.

AVIS: des vapeurs inflammables peuvent être transportées d'un lieu éloigné vers le chauffe-eau par un courant d'air.

E. NE PAS ranger de matériaux combustibles (ex.: journaux, chiffons, vadrouilles) à proximité du chauffe-eau.

1. RÉGLAGE DE LA TEMPÉRATURE — La température de consigne est réglée à 49°C (120°F) à l'usine. Afin de satisfaire aux applications commerciales, il est possible de le régler jusqu'à 85°C (185°F). Toutefois, de l'eau chauffée à plus de 125°F (52°C) peut instantanément causer de graves brûlures ou la mort par ébouillantage. Il est suggéré de régler l'appareil à cette température dans les applications générales de chauffage de l'eau.

La sécurité des utilisateurs et l'économie d'énergie sont les deux principaux facteurs à considérer lors de la sélection de la température de consigne. Le réglage de température le plus économique est le plus bas permettant de répondre aux besoins de l'application.

⚠️ DANGER:

La sélection d'une température plus élevée augmente les risques d'ÉBOULLANTAGE.

Lorsque ce chauffe-eau est utilisé dans une application générale de chauffage à l'intention des occupants, il est recommandé d'installer des robinets thermostatiques qui permettent de réduire la température au point d'utilisation. Communiquez avec un plombier licencié ou l'autorité compétente locale en matière de plomberie pour obtenir plus de détails.

⚠️ AVERTISSEMENT:

En cas de surchauffe ou si l'alimentation en gaz ne se referme pas automatiquement, fermez le robinet d'arrêt manuel situé sur la canalisation d'alimentation en gaz du chauffe-eau. NE PAS utiliser cet appareil même s'il n'a été que partiellement d'entretien qualifié afin qu'il inspecte le chauffe-eau et remplace toute composante ayant été plongée dans l'eau (notamment la commande du gaz).

2. ARRÊT D'URGENCE —

La température de l'eau au raccord de sortie varie tout au cours d'un cycle d'utilisation. Veuillez mesurer la température tout de suite après l'extinction du brûleur principal ou lors d'une période de faible utilisation d'eau chaude.

Si le chauffe-eau a été exposé à un incendie ou a été endommagé, fermez le robinet d'arrêt manuel situé sur la canalisation d'alimentation en gaz du chauffe-eau. NE PAS utiliser le chauffe-eau jusqu'à ce qu'il soit inspecté par un technicien d'entretien qualifié.

Avant de mettre en marche ce chauffe-eau, lisez et suivez toutes les instructions indiquées sur l'étiquette ci-dessous et sur toutes les autres étiquettes du chauffe-eau, ainsi que tous les avertissements de ce manuel. Le non-respect de cette directive peut entraîner le mauvais fonctionnement du chauffe-eau et causer des dommages matériels, de graves blessures ou la mort. Si vous avez de la difficulté à comprendre les instructions de ce manuel, ARRÊTEZ et obtenez de l'aide auprès d'une personne qualifiée.

POUR VOTRE SÉCURITÉ, VEUILLEZ LIRE AVANT DE METTRE EN MARCHÉ

AVERTISSEMENT: Si ces directives ne sont pas suivies exactement, un incendie ou une explosion risque d'en résulter, causant des dégâts à la propriété, des blessures ou la mort.

- A. Cet appareil est équipé d'un dispositif d'allumage qui allume automatiquement la veilleuse. **NE PAS** tenter d'allumer la veilleuse à la main.
- B. AVANT DE METTRE CET APPAREIL EN SERVICE - Renvoier tout autour de l'appareil pour déceler une odeur de gaz. S'assurer de renifler au niveau du sol parce que certains gaz sont plus lourds que l'air et peuvent s'accumuler au niveau du sol. **QUE FAIRE SI L'ON SENT UNE ODEUR DE GAZ**
- Ne pas tenter d'allumer d'appareil.
 - Ne pas toucher d'interrupteurs électriques; ne pas utiliser les téléphones se trouvant dans l'édifice.
 - Appeler immédiatement votre fournisseur de gaz de chez un voisin. Suivre les directives du
- C. Utiliser uniquement la main pour tourner le bouton de contrôle du gaz. Ne jamais utiliser d'outils. Si le bouton ne tourne pas à la main, ne pas tenter de le réparer; appeler un technicien de service qualifié. Le fait de forcer la manette ou tenter de la réparer peut déclencher une explosion ou un incendie.
- D. Ne pas utiliser cet appareil s'il a été plongé dans l'eau, même partiellement. Appeler immédiatement un technicien de service qualifié qui inspectera l'appareil et remplacera toute pièce du système de contrôle et toute commande ayant été plongée dans l'eau.

DIRECTIVES DE MISE EN MARCHÉ

- ARRÊTEZ LIRE LES DIRECTIVES DE SÉCURITÉ CI-DESSUS, SUR CETTE ÉTIQUETTE.
- PLACER LE CONTACTEUR «ON/OFF» (MARCHÉ-ARRÊT) PRÈS DE L'AFFICHEUR DU CONTRÔLE SUR LA POSITION «OFF» (ARRÊT).
- CET APPAREIL EST ÉQUIPÉ D'UN DISPOSITIF D'ALLUMAGE QUI ALLUME AUTOMATIQUEMENT LA VEILLEUSE À LA MAIN.

- SI VOUS SENTEZ UNE ODEUR DE GAZ, ARRÊTEZ-VOUS! SUIVRE LA RUBRIQUE «B» DES DIRECTIVES DE SÉCURITÉ DE L'ÉTIQUETTE CI-DESSUS.
- METTRE L'APPAREIL SOUS TENSION AVEC LE CONTACTEUR SITUÉ À GAUCHE DE L'AFFICHEUR DU CONTRÔLE.
- SI L'APPAREIL NE FONCTIONNE PAS, SUIVRE LES DIRECTIVES INDICANT «COMMENT COUPER L'ARRIVÉE DE GAZ À L'APPAREIL».

ATTENTION: DE L'EAU PLUS CHAUDE AUGMENTE LE RISQUE DE BLESSURES PAR ÉBOULLANTAGE. CONSULTER LE MANUEL D'INSTRUCTIONS AVANT DE CHANGER LA TEMPÉRATURE.

AVERTISSEMENT: COUPER L'ALIMENTATION ÉLECTRIQUE AVANT TOUT ENTRETIEN.



- LA TEMPÉRATURE DE L'EAU EST RÉGLÉE APPROXIMATIVEMENT À 49°C (120°F). RÉGLER LE THERMOSTAT À LA TEMPÉRATURE VOULUE.

COMMENT COUPER L'ARRIVÉE DE GAZ À L'APPAREIL

- COUPER L'ALIMENTATION ÉLECTRIQUE À
- TOURNER LE «BOUTON DE LA SOUPAPE MANUELLE DE GAZ» À LA POSITION «OFF» (ARRÊT).

LISTE DE VÉRIFICATION DE L'INSTALLATION

- A. Emplacement du chauffe-eau**
- Près des emplacements de ventilation
 - À l'intérieur et à l'abri du gel
 - Dégagement approprié des surfaces combustibles
 - Apport d'air frais ne contient pas de particules corrosives ou de vapeurs inflammables
 - Espace suffisant pour l'entretien du chauffe-eau
 - Chauffe-eau protégé contre les dommages causés par l'eau
- B. Alimentation en eau**
- Réservoir complètement rempli d'eau
 - Tout l'air est purgé du chauffe-eau et des canalisations
 - Tous les raccords d'eau sont étanches
- C. Alimentation en gaz**
- Canalisation d'alimentation en gaz munie d'un robinet d'arrêt, d'un raccord-union et d'un collecteur de sédiments
 - Dia. min. canalisatin: 1/2 po
 - Vérification de l'étanchéité des conduites de gaz et raccords avec solution d'eau et de savon
 - Utilisation d'un composé d'étanchéité pour filets homologué
- D. Soupape de sûreté**

Tableau des capacités Installation aux États-Unis

Capacité maximale d'un tuyau, en pi³ de gaz par heure pour des pressions de gaz de 0,5 psig ou moins et une chute de pression de 0,3 po colonne d'eau. Basé sur une densité relative de 0,60 pour le gaz naturel; si du propane est utilisé, multiplier la capacité par 0,63.

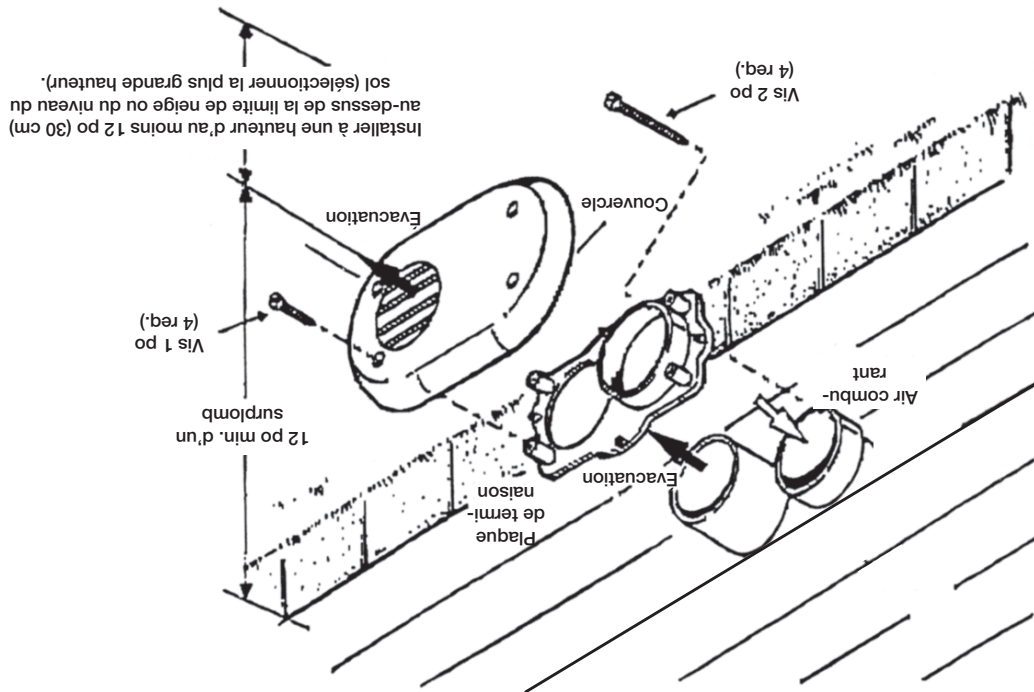
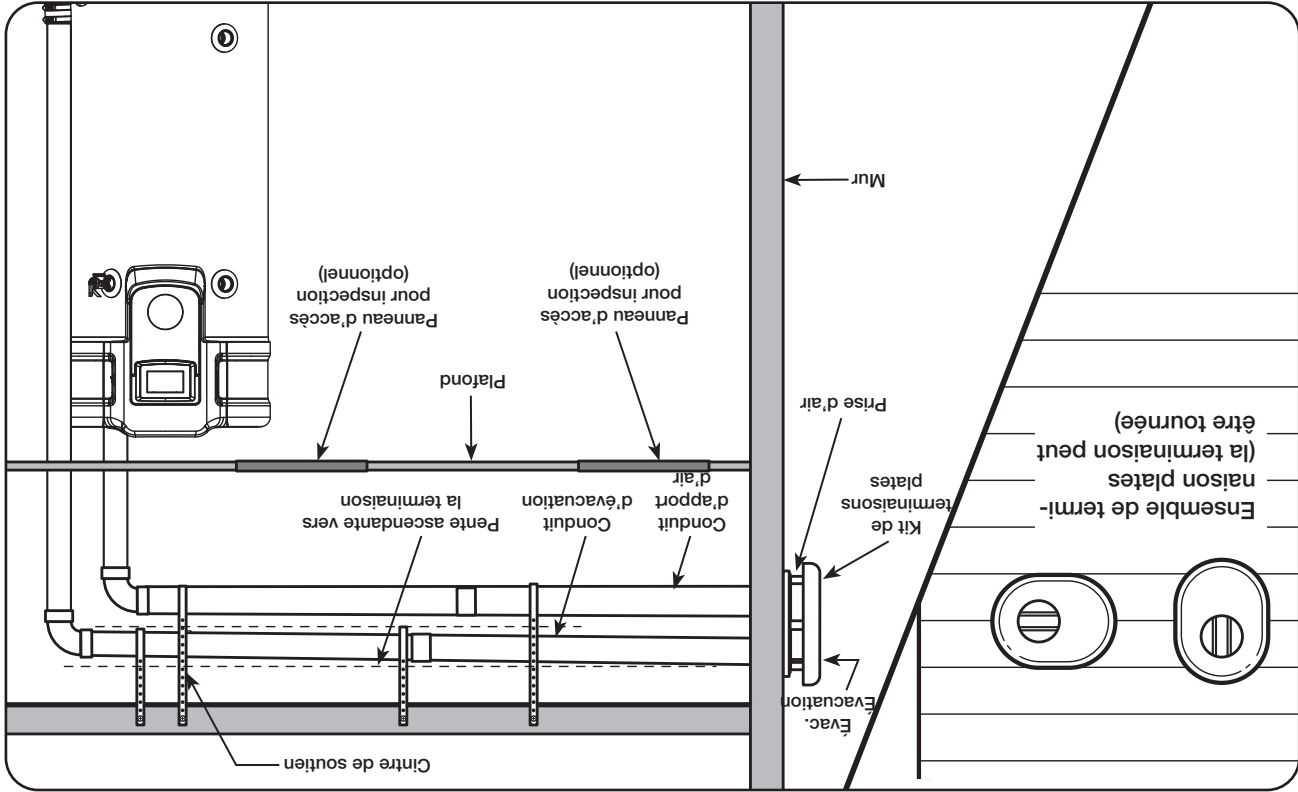
Dia. nominale, tuyau en acier (po)	Longueur de tuyau, pi														
	10	20	30	40	50	60	70	80	90	100	125	150	175	200	
1/2	0,622	132	90	73	62	55	50	46	43	40	38	34	31	28	26
3/4	0,824	278	190	152	130	115	105	96	90	84	79	72	64	59	55
1	1,049	520	350	285	245	215	195	180	170	160	150	130	120	110	100
1-1/4	1,380	1050	730	590	500	440	400	370	350	320	305	275	250	225	210
1-1/2	1,610	1600	1100	890	760	670	610	560	530	490	460	410	380	350	320
2	2,067	3050	2100	1650	1450	1270	1150	1050	990	930	870	780	710	650	610
2 1/2	2,469	4800	3300	2700	2300	2000	1850	1700	1600	1500	1400	1250	1130	1050	980
3	3,068	8500	5900	4700	4100	3600	3,250	3000	2,800	2600	2500	2200	2000	1850	1700
4	4,026	17 500	12 000	9700	8300	7400	6800	6200	5800	5400	5100	4500	4100	3800	3500

Pour connaître la capacité maximale des conduites de gaz au Canada, reportez-vous à la norme CAN/CSA B149.1, Gaz naturel; tableaux A.1 à A.17, Propane; Tableaux B.1 à B.12.

INSTALLATION

D'autres ensembles de ventilation horizontaux de 2 et 3 po sont offerts sur le marché. Veuillez suivre les instructions d'installation fournies avec ces ensembles pour réaliser leur installation.

Autres installations à l'horizontale



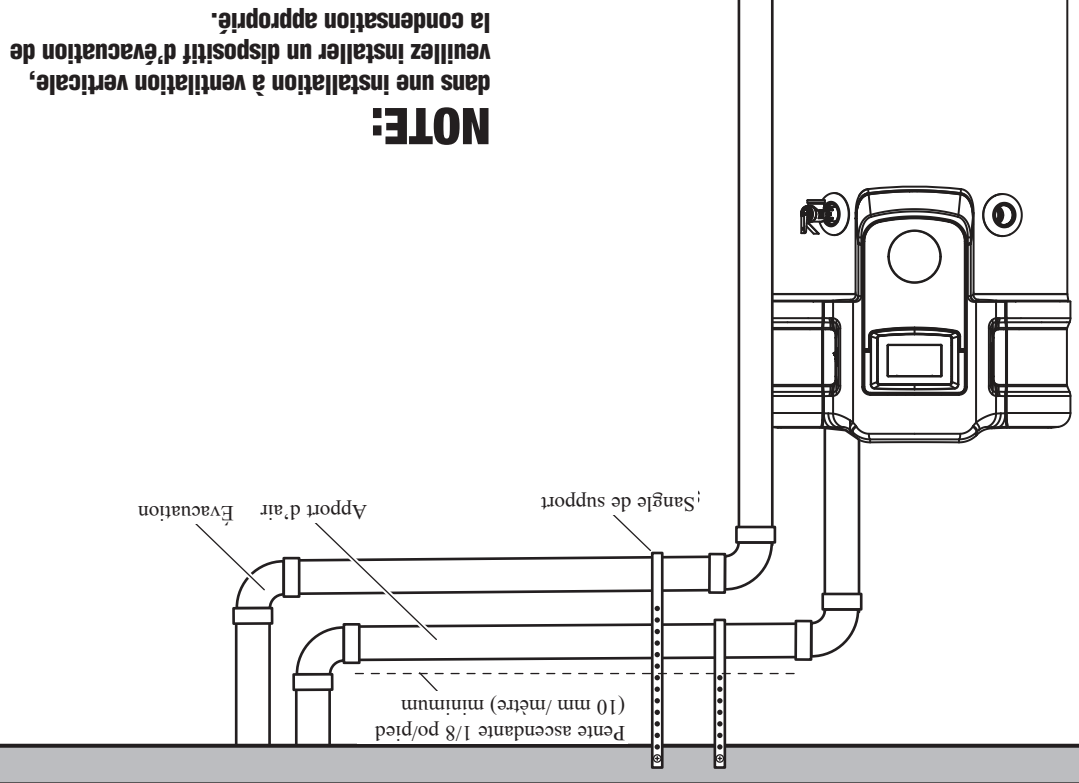
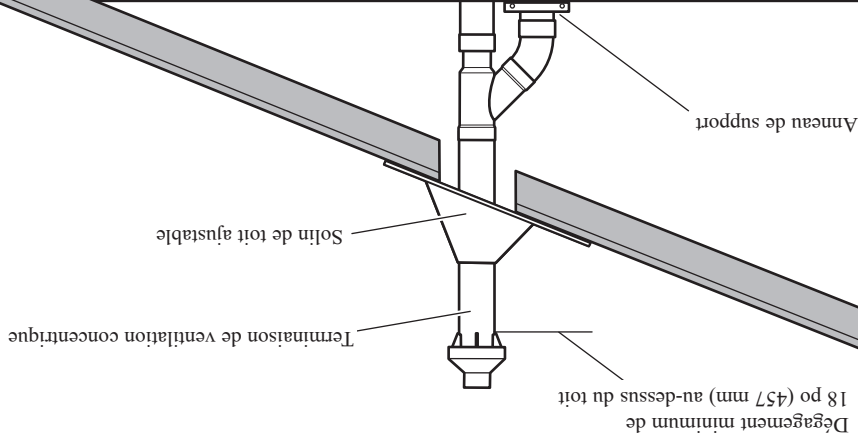
INSTALLATION

Autre terminaison verticale

D'autres ensembles de ventilation verticaux sont offerts sur le marché. Veuillez suivre les instructions d'installation fournies avec ces ensembles pour réaliser leur installation.

⚠️ AVERTISSEMENT:

Il ne faut jamais raccorder entre eux les conduits d'apport d'air et d'évacuation.



grand que la vis dans le coude à 90° et un avant-trou légèrement plus petit dans le chapeau. Le fendillage du conduit en PVC causera une défaillance du système, ce qui entraînera la recirculation des produits de combustion. Le non-respect de cet avertissement peut entraîner de graves blessures ou la mort.

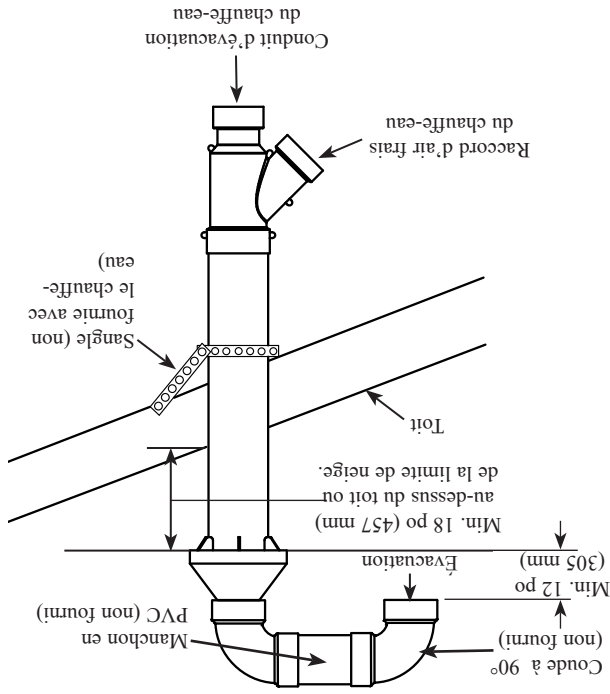
⚠️ AVERTISSEMENT:

NE PAS faire fonctionner ce chauffe-eau sans terminaison; cela risque de provoquer la recirculation des gaz de combustion. Cela risque aussi de permettre à l'eau d'entrer dans le système de ventilation, ce qui pourrait endommager le chauffe-eau. Le non-respect de cet avertissement peut endommager l'appareil et peut entraîner des dommages matériels, de graves blessures ou la mort.

ETAPE 5:

À partir du toit, insérez le conduit d'évacuation dans le plus grand conduit d'apport d'air et collez le chapeau au conduit d'apport d'air. De l'intérieur du bâtiment, collez le raccord en "Y" au conduit d'apport d'air (voir figure ci-dessous).

INSTALLATION D'APPORT D'AIR À LA VERTICALE



(voir page suivante pour plus de détails)

ETAPE 5: De l'extérieur du bâtiment, insérez le conduit de ventilation dans le conduit d'apport d'air et fixez-le au chapeau. De l'intérieur du bâtiment, fixez le raccord en "Y" au conduit d'apport d'air (voir figures sur cette page).

ETAPE 6: Complétez l'installation du reste du système de ventilation conformément aux instructions du présent manuel.

INSTALLATION À LA VERTICALE

ETAPE 1: Découpez l'ouverture de diamètre approprié dans le toit; voir mesure "D" dans le tableau; installez le solin (non fourni) autour du conduit de PVC.

ETAPE 2: De l'intérieur du bâtiment, insérez le conduit de plus grand diamètre à travers le solin; assurez-vous de l'absence d'isolant ou de débris dans le conduit. Assurez-vous que la terminaison est positionnée respecte le dégagement requis au-dessus de la terminaison d'apport d'air.

ETAPE 3: Fixez en place le conduit d'apport d'air à l'aide d'une sangle perforée (non fournie) ou par tout autre moyen (voir la figure Installation d'apport d'air à la verticale sur cette page).

ETAPE 4: Nettoyez et collez le chapeau au conduit de plus petit diamètre. Nettoyez et collez le coude à 90° au chapeau. Nettoyez et collez le manchon en PVC (non fourni) et le coude à 90°, comme illustré à la figure Installation d'apport d'air à la verticale sur cette page. Le raccordement des composantes en PVC à l'aide de vis n'est pas obligatoire.

NOTE: s'il est prévu que l'assemblage doit être amovible pour le nettoyage; il est possible d'utiliser une vis à métal pour fixer le chapeau au plus petit conduit de PVC (évacuation).

⚠️ AVERTISSEMENT:

Pour fixer le chapeau à l'aide d'une vis, percez un avant-trou légèrement plus grand que la vis dans le chapeau et un avant-trou légèrement plus petit dans le conduit de PVC afin d'éviter de le fendre. Pour fixer le chapeau à l'aide d'une vis, percez un avant-trou légèrement plus

AVERTISSEMENT

Les présentes instructions sont destinées à des techniciens qualifiés pour l'installation, le réglage et l'utilisation de cet ensemble de ventilation. Lisez attentivement les présentes instructions avant de procéder à l'installation, au réglage ou de faire fonctionner cet appareil. Tout manquement aux présentes instructions pourrait se traduire par une installation, un réglage, une réparation ou un entretien inadéquats, ce qui pourrait causer un incendie, une électrocution, des dommages matériels, de graves blessures ou la mort.

AVERTISSEMENT:

Cet ensemble doit uniquement être utilisé pour l'approvisionnement en air et l'évacuation des gaz de combustion de chauffe-eau au gaz à évacuation directe et forcée (PDV). NE PAS utiliser cet ensemble de terminaison avec tout autre appareil. Le non-respect de cet avertissement peut causer un incendie pouvant entraîner de graves blessures ou la mort.

EMPLACEMENT:

L'ensemble de terminaison concentrique peut être installé à l'horizontale (mur) ou à la verticale (toit). Déterminez le meilleur endroit de pose avant d'entreprendre l'installation de l'ensemble de terminaison concentrique.

IMPORTANT:

L'ensemble de terminaison concentrique doit respecter les exigences suivantes:

- L'ensemble est installé à un endroit où les gaz de combustion n'endommageront pas une structure située à proximité.
 - L'ensemble est positionné de façon à ce que le vent ne permettra pas au gaz de combustion aux feuilles, à la neige ou à d'autres débris d'être repoussés dans le conduit d'apport d'air.
 - L'ensemble est positionné à un endroit où il ne risque pas d'être endommagé par un projectile.
 - L'ensemble est positionné à un endroit où les gaz de combustion ne risquent pas d'être inhalés.
- NOTE: Assurez-vous que les ouvertures d'apport d'air et d'évacuation sont positionnées au-dessus de la limite de neige (1 pi / 305 mm).

INSTALLATION À L'HORIZONTALE**ÉTAPE 1:**

Découpez l'ouverture de diamètre approprié dans le mur; voir mesure "D" dans le tableau; installez le solin (non fourni) autour du conduit de PVC.

AVERTISSEMENT

Cet ensemble doit uniquement être utilisé pour l'approvisionnement en air et l'évacuation des gaz de combustion de chauffe-eau au gaz à évacuation directe et forcée (PDV). NE PAS utiliser cet ensemble de terminaison avec tout autre appareil. Le non-respect de cet avertissement peut causer un incendie pouvant entraîner de graves blessures ou la mort.

AVERTISSEMENT:

Cet ensemble doit uniquement être utilisé pour l'approvisionnement en air et l'évacuation des gaz de combustion de chauffe-eau au gaz à évacuation directe et forcée (PDV). NE PAS utiliser cet ensemble de terminaison avec tout autre appareil. Le non-respect de cet avertissement peut causer un incendie pouvant entraîner de graves blessures ou la mort.

EMPLACEMENT:

L'ensemble de terminaison concentrique peut être installé à l'horizontale (mur) ou à la verticale (toit). Déterminez le meilleur endroit de pose avant d'entreprendre l'installation de l'ensemble de terminaison concentrique.

IMPORTANT:

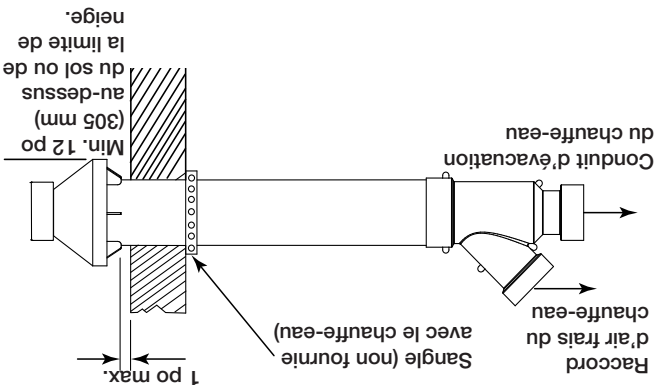
L'ensemble de terminaison concentrique doit respecter les exigences suivantes:

- L'ensemble est installé à un endroit où les gaz de combustion n'endommageront pas une structure située à proximité.
 - L'ensemble est positionné de façon à ce que le vent ne permettra pas au gaz de combustion aux feuilles, à la neige ou à d'autres débris d'être repoussés dans le conduit d'apport d'air.
 - L'ensemble est positionné à un endroit où il ne risque pas d'être endommagé par un projectile.
 - L'ensemble est positionné à un endroit où les gaz de combustion ne risquent pas d'être inhalés.
- NOTE: Assurez-vous que les ouvertures d'apport d'air et d'évacuation sont positionnées au-dessus de la limite de neige (1 pi / 305 mm).

INSTALLATION À L'HORIZONTALE**ÉTAPE 1:**

Découpez l'ouverture de diamètre approprié dans le mur; voir mesure "D" dans le tableau; installez le solin (non fourni) autour du conduit de PVC.

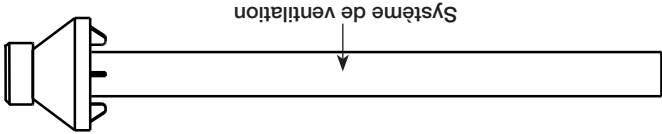
De l'intérieur, insérez le conduit d'apport d'air à travers le solin; il doit y avoir un dégagement maximal de 1 po entre la surface du mur et le chapeau (voir figure suivante). Assurez-vous de l'absence d'isolant ou de débris dans le conduit.

INSTALLATION D'APPORT D'AIR À L'HORIZONTALE**ÉTAPE 3:**

Fixez en place le conduit d'apport d'air à l'aide d'une sangle perforée (non fournie) ou par tout autre moyen (voir figure ci-dessus).

ÉTAPE 4:

Nettoyez et collez le chapeau au conduit de plus petit diamètre.



Note: s'il est prévu que le chapeau devra être ultérieurement enlevé pour un nettoyage; il est possible d'utiliser une vis à métal pour fixer le chapeau au conduit de PVC.

AVERTISSEMENT:

Pour fixer le chapeau à l'aide d'une vis, percez un avant-trou légèrement plus grand que la vis dans le chapeau et un avant-trou légèrement plus petit dans le conduit de PVC afin d'éviter de le fendre. Le fendillement du conduit en PVC causera une défaillance du système, ce qui entraînera la recirculation des produits de combustion. Le non-respect de cet avertissement peut entraîner de graves blessures ou la mort.

AVERTISSEMENT:

NE PAS faire fonctionner ce chauffe-eau sans son chapeau; cela risque de provoquer la recirculation des gaz de combustion. Cela risque aussi de permettre à l'eau d'entrer dans le système de ventilation, ce qui pourrait endommager le chauffe-eau. Le non-respect de cet avertissement peut endommager l'appareil et peut entraîner un dysfonctionnement, de graves blessures ou la mort.

Installation de terminaison de ventilation concentrique

PROCÉDURE

Une installation, un réglage, une réparation ou un entretien inadéquat peut causer des dommages matériels, des blessures ou la mort. Appelez un installateur qualifié, un centre de service licencié ou votre fournisseur de service du gaz.

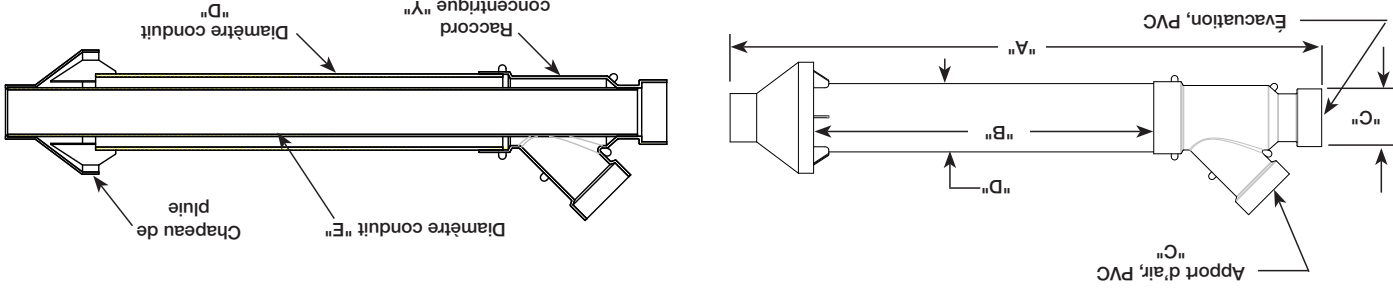
Cet ensemble de terminaison de ventilation doit uniquement être utilisé avec ce chauffe-eau. NE PAS utiliser cet ensemble de terminaison avec tout autre appareil. L'utilisation de cet ensemble avec tout autre chauffe-eau ou appareil peut entraîner des dommages matériels, de graves blessures ou la mort.

AVIS:

Les joints de l'ensemble de ventilation concentrique doivent être collés.

ATTENTION:

NE PAS faire fonctionner ce chauffe-eau sans sa terminaison; cela risque de provoquer la recirculation des gaz de combustion. De l'eau pourrait s'accumuler dans le plus large conduit (apport d'air) et s'écouler jusqu'à la chambre de combustion. Le non-respect de cet avertissement peut entraîner un mauvais fonctionnement, des dommages matériels, de graves blessures ou la mort. NE PAS utiliser les raccords fournis pour allonger les conduits. Cela ajoutera des restrictions et entraînera un mauvais fonctionnement des pressostats du chauffe-eau.



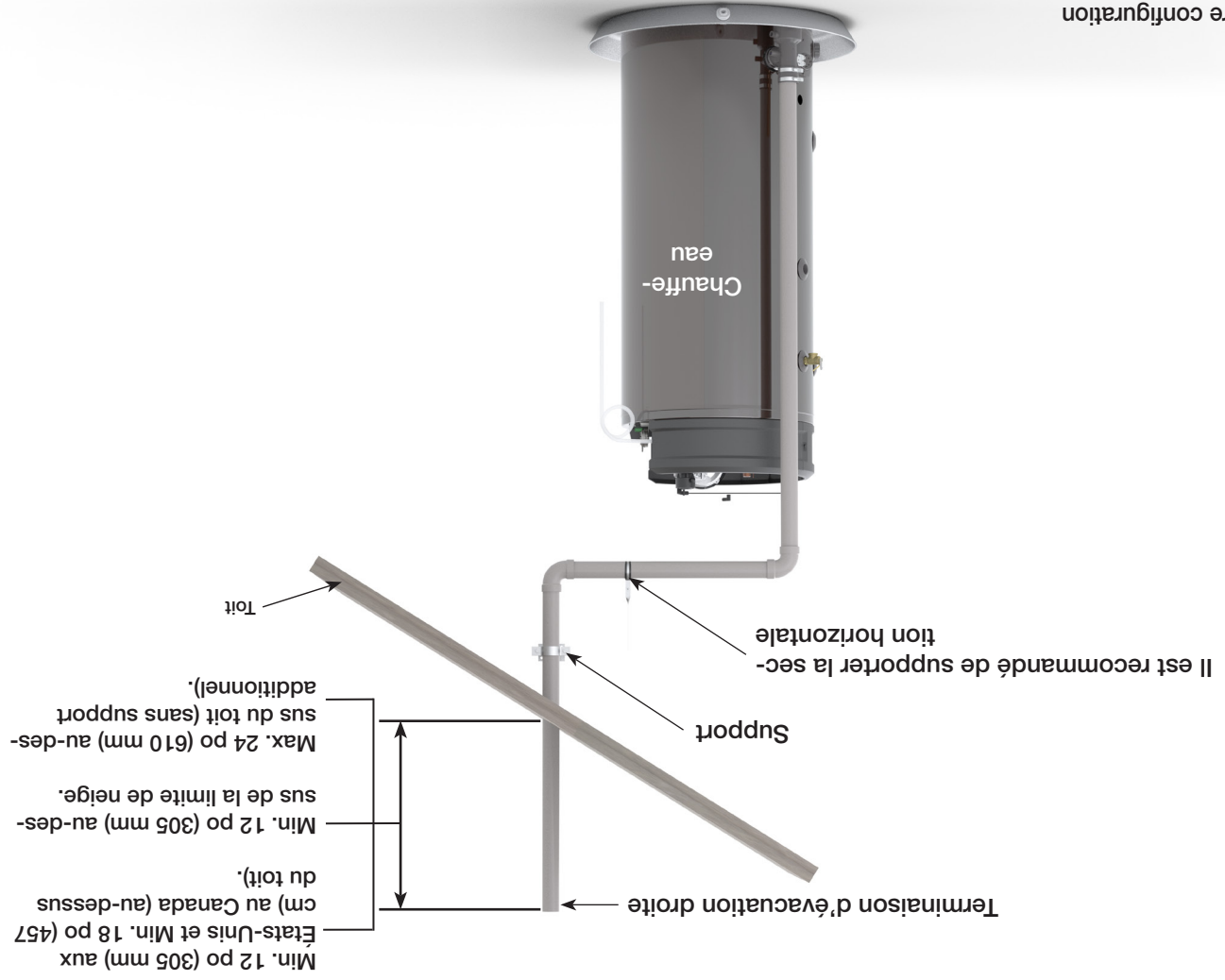
*Diamètre de l'ouverture pour conduit 4 po en PVC: 5 po (127 mm)

Dimensions nominale PVC			
	"A"	"B"	"C"
Kit 2 po	33,5 po	17,65 po	2,68 po
Kit 3 po	39,5 po	22,38 po	3,83 po
Kit 4 po	53,75 po	34,8 po	4 po
			6 po

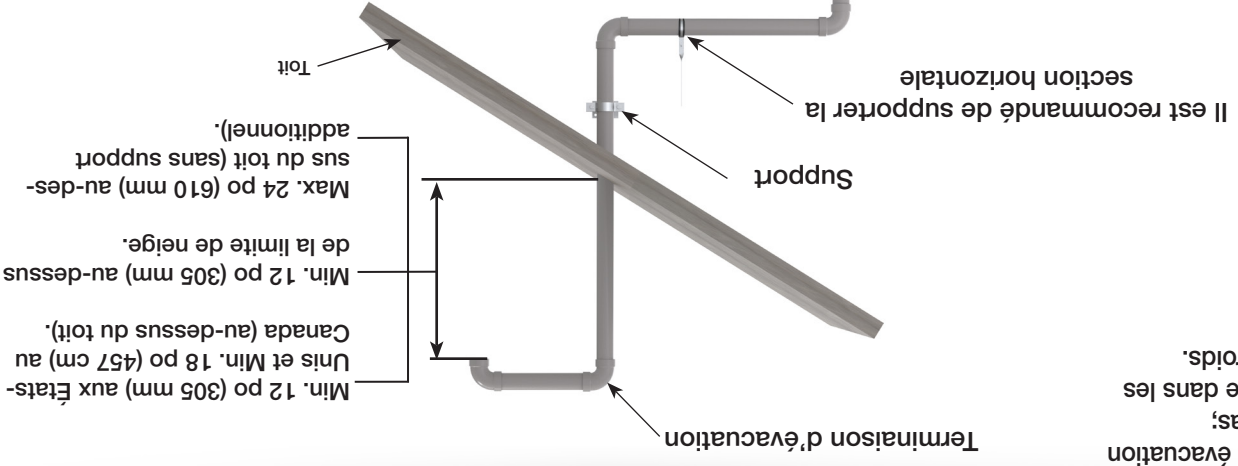
Installation:

1. Découvrez les diverses composantes de l'ensemble de ventilation concentrique (voir tableau ci-dessus).
2. Déterminez le meilleur endroit de pose.
3. Découpez l'ouverture de diamètre recommandé en fonction du diamètre du conduit indiqué dans les tableaux ci-dessus – Dim. "D".
4. Assemblez partiellement l'ensemble de ventilation ainsi:
 - a. Collez les raccords concentriques Y au conduit de plus grand diamètre (voir tableau ci-dessus).
 - b. Collez la terminaison au conduit de plus petit diamètre (voir tableau ci-dessus).

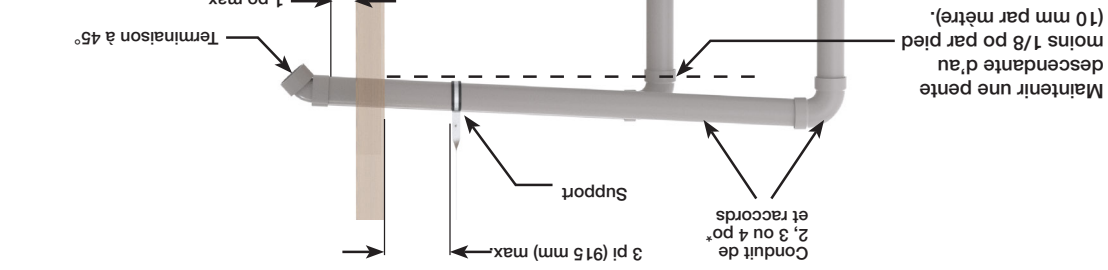
Installation-type à la verticale, évacuation forcée (PV)



Autre configuration de ventilation verticale, évacuation vers le bas; préférable dans les climats froids.



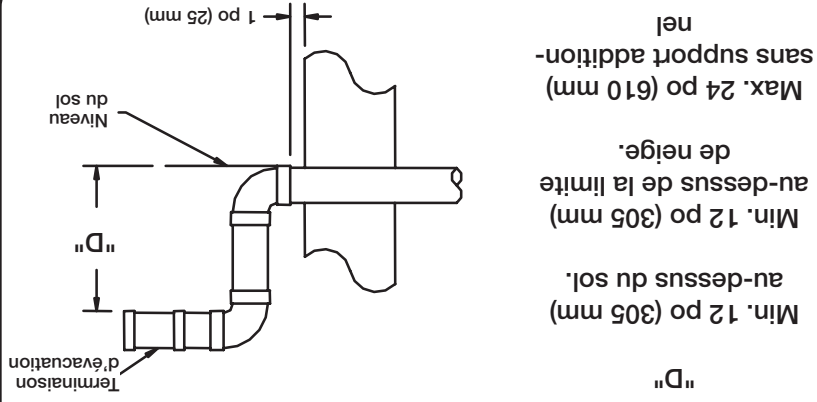
Installation-type à l'horizontale, évacuation forcée (PV)



IMPORTANT:
 Dans un climat froid, les conduits de ventilation doivent maintenir une pente ascendante.

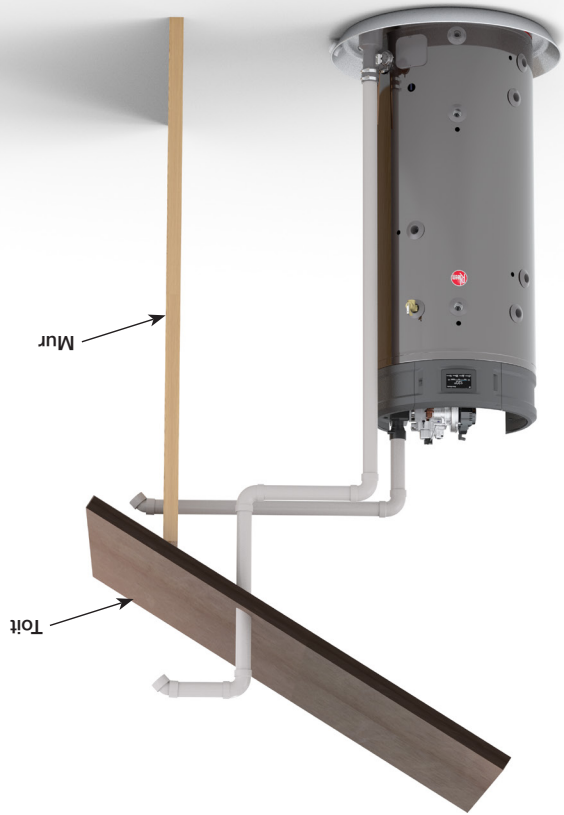
Ventilation murale avec faible dégagement au sol:

Lorsqu'il n'est pas possible d'acheminer un conduit de ventilation à une hauteur supérieure à 12 po (305 mm) au-dessus du sol ou de la limiter anticipée de neige, il faut alors modifier l'installation comme indiqué ci-dessous.

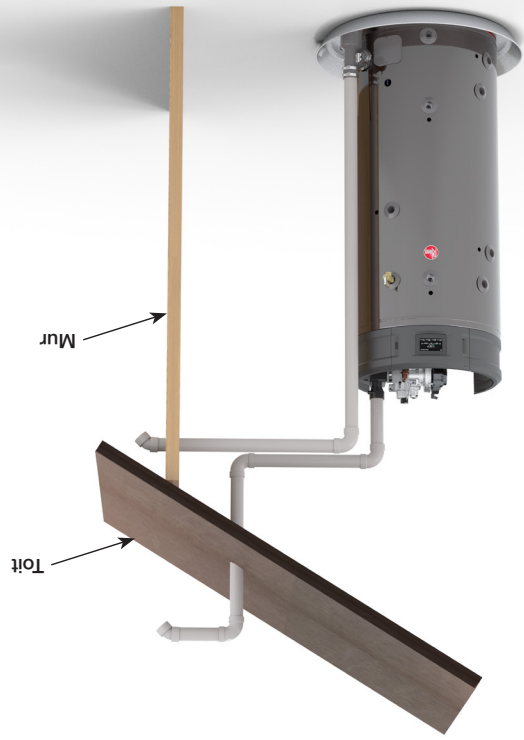


INSTALLATION

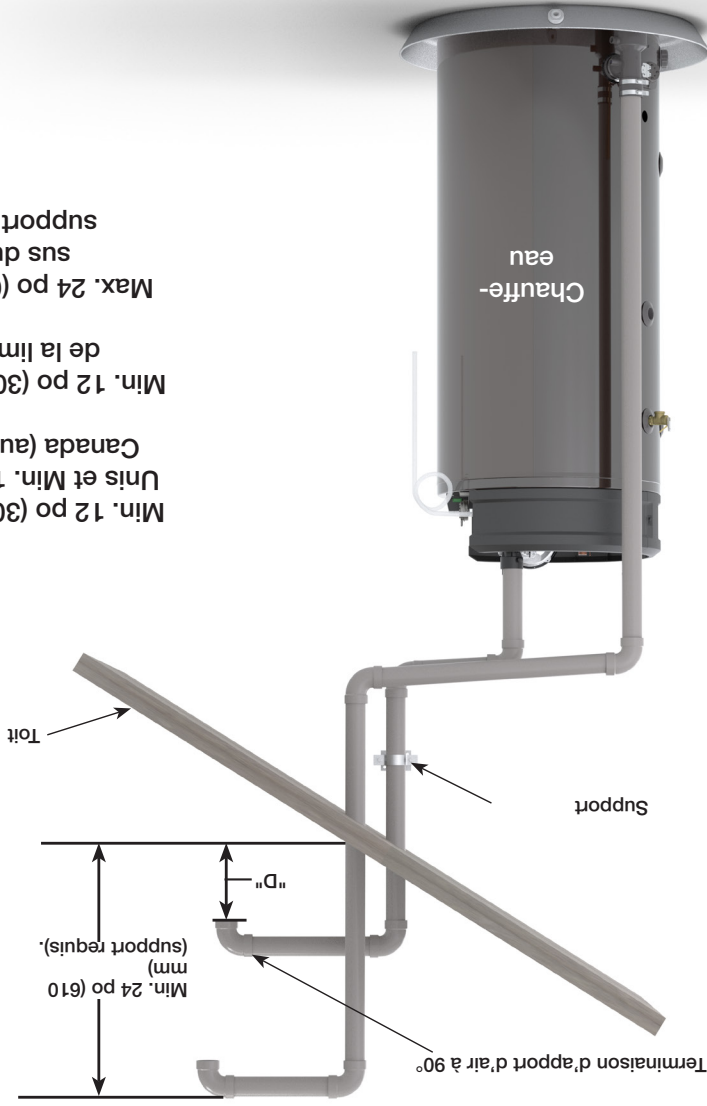
Ventilation directe (DV) à la verticale, prise d'air horizontale



Ventilation directe (DV) à l'horizontale, prise d'air verticale



Installation-type à la verticale, ventilation directe (DV)

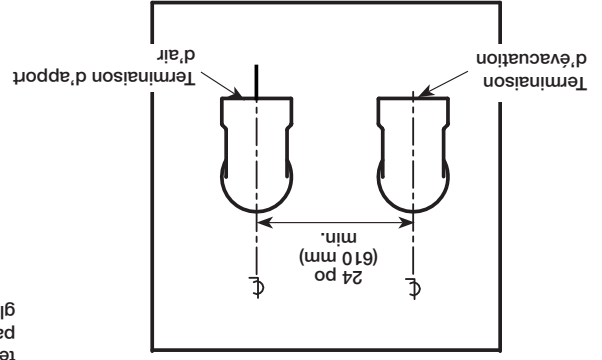


Min. 12 po (305 mm) aux États-Unis et Min. 18 po (457 cm) au Canada (au-dessus du toit)

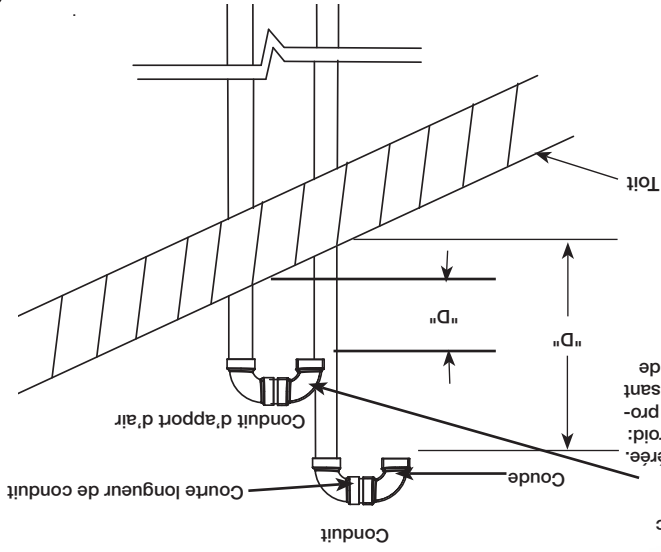
Min. 12 po (305 mm) au-dessus de la limite de neige.

Max. 24 po (610 mm) au-dessus du toit sans support additionnel)

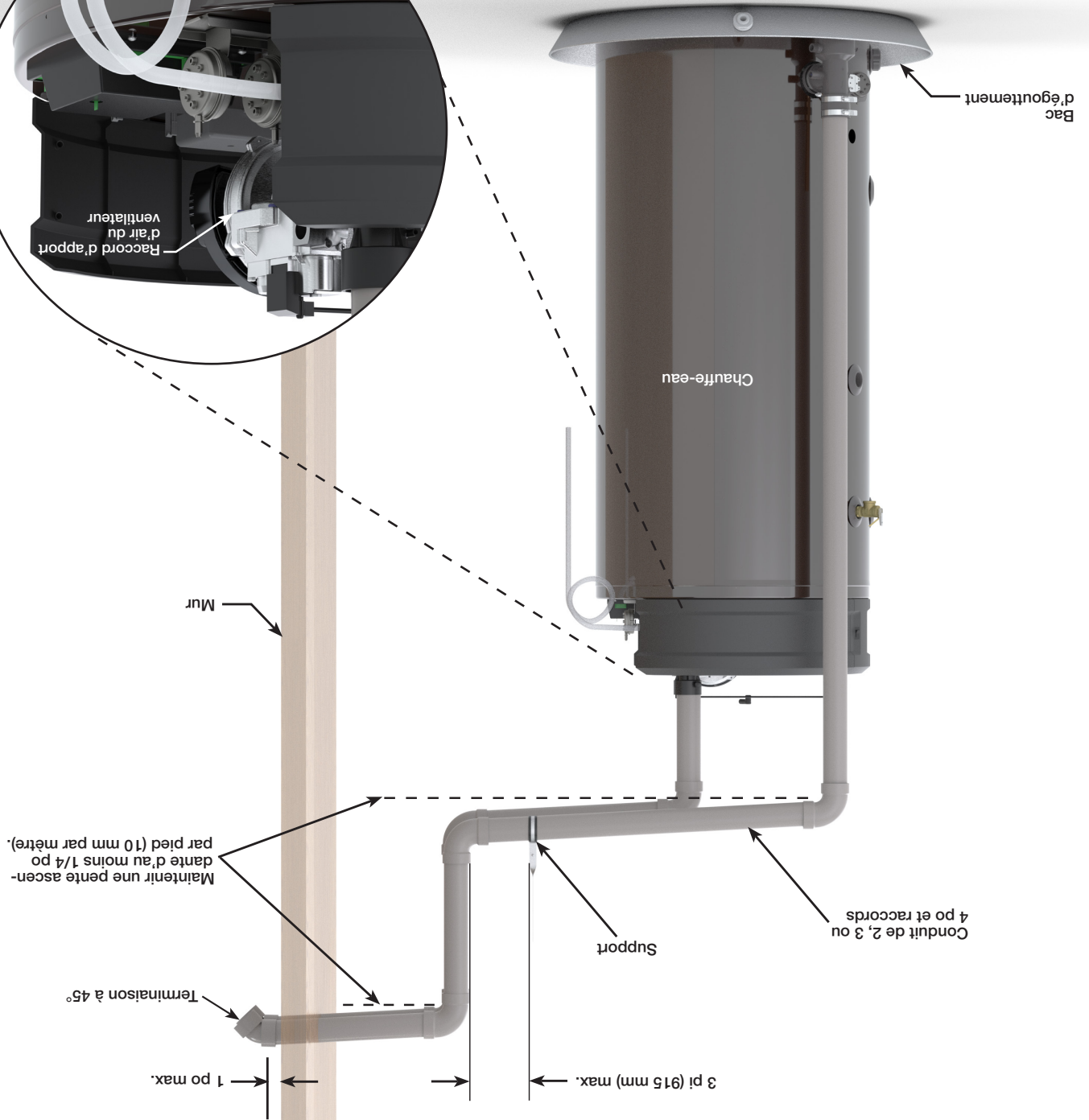
Écart entre les terminaisons horizontales ou verticales.



Terminaison avec grille protectrice 1/2 po (13 mm) anti-vermine insérée. Dans un climat froid: utiliser une grille protectrice ne favorisant pas la formation de glace.

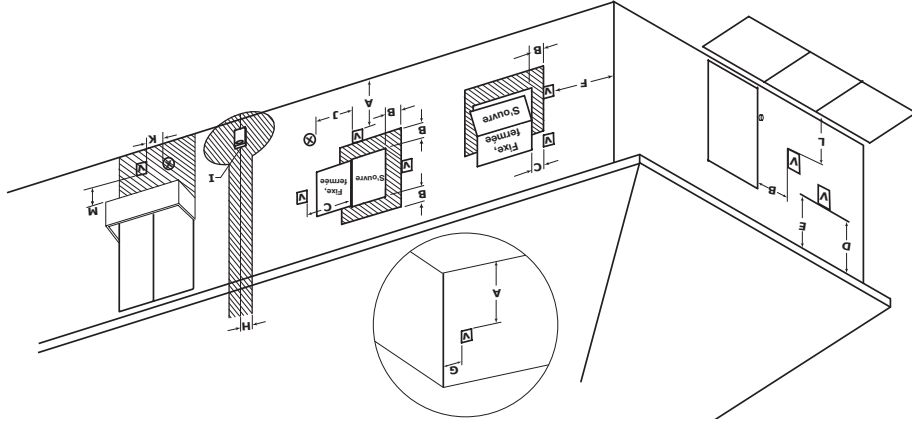


11- Installation-type à l'horizontale, ventilation directe (DV)



- Raccordez un tube flexible en PVC de diamètre intérieur de 1/2 po (ou matériau équivalent), au raccord de drainage. **AVIS:** la longueur du tube flexible doit être suffisante pour atteindre un drain de plancher, l'extérieur du bâtiment ou tout autre dispositif de collecte de la condensation (reportez-vous à vos codes locaux).
- Formez une boucle circulaire et fixez les parties supérieure et inférieure de la boucle avec du fil métallique ou des attaches de plastique, comme illustré. **NE PAS** pincer le tube flexible. Le tube ne doit pas être pincé ni son diamètre réduit sur toute sa longueur.
- Remplissez le tube de drainage d'eau pour empêcher un retour des gaz de combustion vers la maison.
- Acheminez l'extrémité du tube flexible vers un drain de plancher, l'extérieur du bâtiment ou tout autre dispositif de collecte de la condensation (reportez-vous à vos codes locaux).

Dégagements de la terminaison, évacuation forcée (PV)



- TERMINAISON D'ÉVACUATION
- TERMINAISON D'APPORT D'AIR
- SURFACES OÙ LA TERMINAISON N'EST PAS PERMISE

EMPLACEMENT D'UNE TERMINAISON MURALE, ÉVACUATION FORCÉE (PV)

Respectez les exigences qui suivent pour sélectionner un positionnement approprié des terminaisons de ventilation d'un chauffe-eau à ventilation directe.

Installation au Canada 1 Installation aux États-Unis 2

A= Dégagement au-dessus du niveau du sol, d'une véranda, d'un porche, d'une terrasse ou d'un balcon.	12 po (305 mm)	12 po (305 mm)
B= Dégagement autour des fenêtres ou des portes qui peuvent être ouvertes.	6 po (150 mm) pour appareils ≤ 10 000 BTU/h (3 kW), 12 po (305 mm) pour appareils > 10 000 BTU/h (3 kW) et ≤ 100 000 BTU/h (30 kW), 36 po (910 mm) pour appareils > 100 000 BTU/h (30 kW).	4 pi (1,2 m) au-dessus ou à côté de l'ouverture; 1 pi (305 mm) au-dessus de l'ouverture.
C= Dégagement d'une fenêtre qui ne s'ouvre pas.	0 po (0 mm)	0 po (0 mm)
D= Dégagement vertical sous un soffite ventilé, si le centre de la terminaison est situé à une distance horizontale inférieure à 2 pi (610 mm).	12 po (305 mm)	12 po (305 mm)
E= Dégagement de tout soffite non ventilé.	12 po (305 mm)	12 po (305 mm)
F= Dégagement de tout coin extérieur.	24 po (61 mm)	24 po (61 mm)
G= Dégagement de tout coin intérieur.	18 po (457 mm)	18 po (457 mm)
H= Dégagement de chaque côté d'une ligne passant par le centre d'un compteur ou du régulateur d'abonné.	Dégagement horizontal de 3 pi (91 cm) d'un compteur ou d'un régulateur, jusqu'à une hauteur de 15 pi (4,57 m).	3 pi (910 mm) à une hauteur inférieure à 15 pi (4,6 m)
I= Dégagement de la soupape de décharge du régulateur d'abonné.	3 pi (91 cm)	3 pi (910 mm)
J= Dégagement d'une terminaison d'apport d'air non mécanique du bâtiment ou de la terminaison d'apport d'air comburant de tout autre appareil.	6 po (150 mm) pour appareils ≤ 10 000 BTU/h (3 kW), 12 po (305 mm) pour appareils < 10 000 BTU/h (3 kW) et ≤ 100 000 BTU/h (30 kW), 36 po (910 mm) pour appareils > 100 000 BTU/h (30 kW).	4 pi (1,2 m) au-dessus ou à côté de l'ouverture; 1 pi (305 mm) au-dessus de l'ouverture.
K= Dégagement de toute prise d'air frais mécanique.	6 pi (1,83 m)	3 pi (910 mm) au-dessus, si à moins de 10 pi (3 m) horizontalement.
L= Dégagement au-dessus d'un trottoir pavé ou d'une entrée pavée sur une propriété publique.	7 pi (2,13 m)+	7 pi (2,13 m)+
M= Dégagement sous une véranda, un porche, une terrasse ou un balcon.	Non permis	Non permis

1 En conformité avec l'édition en vigueur de CSA B149.1, Code d'installation du gaz naturel et du propane.

2 En conformité avec l'édition en vigueur de ANSI Z223.1/NFPA 54, National Fuel Gas Code.

+Un conduit de ventilation ne doit pas se terminer directement au-dessus d'un trottoir ou d'une entrée pavée située entre deux logements familiaux et qui les dessert tous les deux.

*Les distances de dégagement doivent respecter les exigences des codes d'installation locaux et celles du fournisseur du service du gaz.

INSTALLATION

NOTE: installez selon la plus récente édition du National Fuel Gas Code, du "Code d'installation du gaz naturel et du propane", CSA-B149.1 ou des codes locaux applicables.

- NE PAS positionner à proximité de sorties ventilées, d'évents de vides sanitaires ou de tout endroit où la condensation ou la vapeur pourrait constituer une nuisance, représenter un danger ou causer des dommages matériels.
- NE PAS positionner la terminaison d'évacuation là où de la condensation ou de la vapeur pourrait causer des dommages matériels ou nuire au bon fonctionnement d'un régulateur de pression, d'une soupape de sûreté ou de tout autre équipement.
- NE PAS positionner la terminaison d'évacuation au-dessus d'un passage public ou d'un trottoir où un écoulement de condensation ou un échappement de vapeur pourrait constituer une nuisance ou représenter un danger.
- NE PAS positionner la terminaison d'évacuation à proximité de plantes ou d'arbustes.

AVIS:

L'utilisation de conduits à âme alvéolaire en PVC (ASTM-F891), en ABS Schedule 40, DWV à âme alvéolaire (ASTM-F628) ou en Radel (polyphénylsulfone) dans un système de ventilation non métallique, est interdite. Lorsque le conduit d'évacuation est orienté à l'horizontale, il est important qu'aucune condensation ne puisse s'y accumuler. À cette fin, le conduit doit maintenir une faible pente ascendante de 1/4 po par pied. Le conduit d'évacuation doit être supporté tous les 5 pi (1,5 m) sur ses sections verticales, et tous les 3 pi (910 mm) sur ses sections horizontales. Le défaut d'adéquatement supporter le conduit d'évacuation avec des sangles et des collets peut entraîner des dommages au système de ventilation et au chauffe-eau.

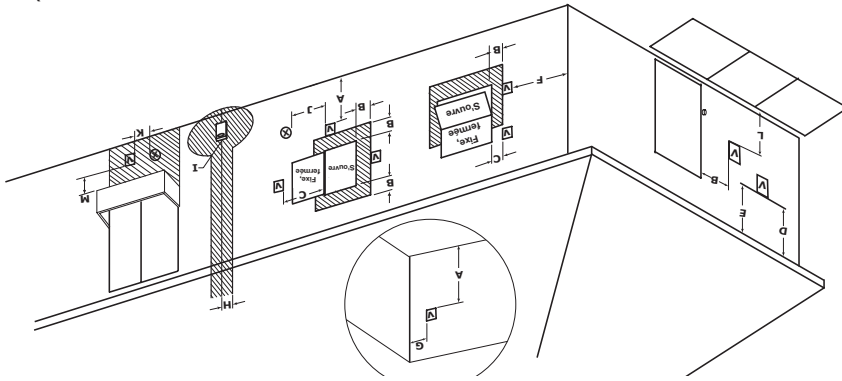
INSTALLATION DU SYSTÈME DE VENTILATION – Avant d'entreprendre l'installation du système de ventilation, prenez connaissance des instructions et avertissements de la section "Raccordement des conduits et raccords".

INSTALLATION À ÉVACUATION FORCÉE (PV) – Une installation à évacuation forcée tire l'air frais de l'intérieur du bâtiment. L'évacuation des gaz de combustion peut s'effectuer par un conduit de 2 po (51 mm), 3 po (76 mm) ou 4 po (102 mm) en PVC, en CPVC, en PP ou en ABS (non permis au Canada). Ce chauffe-eau est fourni avec un coude muni d'une grille (terminaison d'apport d'air) et un raccord d'évacuation (terminaison d'évacuation).

NOTE: Des ensembles d'évacuation forcée (PV) en PP flexible sont offerts en diamètres de 2 et 3 po. Ces ensembles s'utilisent uniquement en configuration verticale.

NOTE: installez selon la plus récente édition du National Fuel Gas Code, du "Code d'installation du gaz naturel et du propane", CSA-B149.1 ou des codes locaux applicables.

Dégagements de la terminaison, ventilation directe



- TERMINAISON D'ÉVACUATION
- TERMINAISON D'APPORT D'AIR
- SURFACES OÙ LA TERMINAISON N'EST PAS PERMISE

EMPLACEMENT D'UNE TERMINAISON MURALE, ÉVACUATION DIRECTE ET FORCÉE (PDV)

Respectez les exigences qui suivent pour sélectionner un positionnement approprié des terminaisons de ventilation d'un chauffe-eau à ventilation directe.

Installation au Canada¹ Installation aux États-Unis²

A = Dégagement au-dessus du niveau du sol, d'une véranda, d'un porche, d'une terrasse ou d'un balcon.	12 po (305 mm)	12 po (305 mm)
B = Dégagement autour des fenêtres ou des portes qui peuvent être ouvertes.	<ul style="list-style-type: none"> • 6 po (150 mm) pour appareils < 10 000 BTU/h (3 kW) • 9 po (230 mm) pour appareils > 10 000 BTU/h (3 kW) et < 50 000 BTU/h (15 kW) • 12 po (305 mm) pour appareils > 50 000 BTU/h (15 kW) 	<ul style="list-style-type: none"> • 6 po (150 mm) pour appareils < 10 000 BTU/h (3 kW) • 9 po (230 mm) pour appareils > 10 000 BTU/h (3 kW) et < 50 000 BTU/h (15 kW) • 12 po (305 mm) pour appareils > 50 000 BTU/h (15 kW)
C = Dégagement d'une fenêtre qui ne s'ouvre pas.	0 po (0 mm)	0 po (0 mm)
D = Dégagement vertical sous une soffite ventilée, si le centre de la terminaison est situé à une distance horizontale inférieure à 2 pi (610 mm).	12 po (305 mm)	12 po (305 mm)
E = Dégagement de tout soffite non ventilée.	12 po (305 mm)	12 po (305 mm)
F = Dégagement de tout coin extérieur.	24 po (61 mm)	24 po (61 mm)
G = Dégagement de tout coin intérieur.	18 po (457 mm)	18 po (457 mm)
H = Dégagement de chaque côté d'une ligne passant par le centre d'un compteur ou du régulateur d'abonné au-dessus de ceux-ci.	3 pi (910 mm) à une hauteur inférieure à 15 pi (4,6 m)	3 pi (910 mm) à une hauteur inférieure à 15 pi (4,6 m)
I = Dégagement de la souppe de décharge du régulateur d'abonné.	3 pi (910 mm)	3 pi (910 mm)
J = Dégagement d'une terminaison d'apport d'air non mécanique du bâtiment ou d'une terminaison d'apport d'air combinant de tout autre appareil.	<ul style="list-style-type: none"> • 6 po (150 mm) pour appareils < 10 000 BTU/h (3 kW) • 9 po (230 mm) pour appareils > 10 000 BTU/h (3 kW) et < 100 000 BTU/h (30 kW) • 36 po (910 mm) pour appareils > 100 000 BTU/h (30 kW) 	<ul style="list-style-type: none"> • 6 po (150 mm) pour appareils < 10 000 BTU/h (3 kW) • 9 po (230 mm) pour appareils > 10 000 BTU/h (3 kW) et < 50 000 BTU/h (15 kW) • 12 po (305 mm) pour appareils > 50 000 BTU/h (15 kW)
K = Dégagement de toute prise d'air frais mécanique.	6 pi (1,83 m)	6 pi (1,83 m)
L = Dégagement au-dessus d'un trottoir pavé ou d'une entrée pavée sur une propriété publique.	7 pi (2,13 m)	7 pi (2,13 m)
M = Dégagement sous une véranda, un porche, une terrasse ou un balcon.	12 po (30 cm) ‡	12 po (30 cm)*

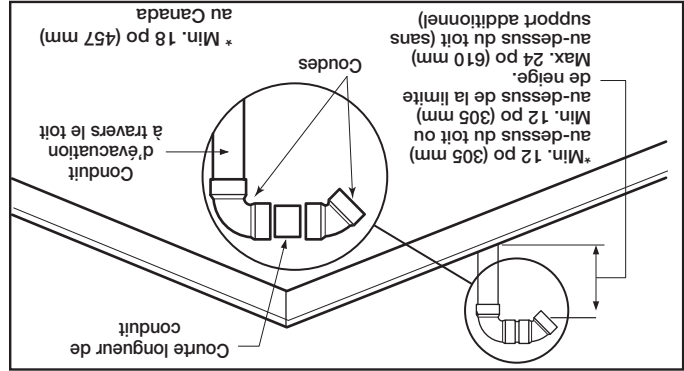
(1) Conformément à l'édition en vigueur du "Code d'installation du gaz naturel et du propane" CSA B149.1.

(2) Conformément à l'édition en vigueur de ANSI Z223.1/NFPA 54, National Fuel Gas Code.

‡ Permis seulement si le dessous du plancher de la véranda, du porche, de la terrasse ou du balcon est entièrement ouvert sur au moins deux côtés.
* Permis seulement si le dessous du plancher de la véranda, du porche, de la terrasse ou du balcon est entièrement ouvert sur au moins deux côtés.

VENTILATION À LA VERTICALE

Déterminez l'emplacement de la terminaison d'évacuation puis percez des ouvertures permettant le passage du conduit à travers le toit et le plafond. Complétez l'installation du conduit de ventilation au collet de raccordement du chauffe-eau. Supportez les sections verticales et horizontales comme décrit précédemment. Installez un solin adéquat autour de l'ouverture du toit traversée par le conduit d'évacuation. Déterminez la hauteur de la terminaison et coupez les longueurs de conduits requis. Reportez-vous à la figure Installation-ventilation verticale pour la hauteur requise de la terminaison. Raccordez un coude à la section verticale de conduit qui traverse le toit. Raccordez une courte longueur de conduit (environ 3 po (76 mm)) à ce coude, puis raccordez le coude de terminaison à cette courte section.



EMPLACEMENT D'UNE TERMINAISON VERTICALE

Assurez-vous que tous les conduits exposés au gel (grenier, vide sanitaire, etc.) sont correctement supportés et possèdent une pente appropriée, afin d'éviter toute accumulation de condensation. **NOTE:** il est interdit d'isoler des conduits non métalliques.

Ce chauffe-eau nécessite son propre système de ventilation distinct. **NE PAS** raccorder le conduit d'évacuation à un autre système existant ou à une cheminée.

L'humidité contenue dans les gaz de combustion peut se condenser lorsqu'elle s'échappe de la terminaison de ventilation. Par temps froid, cette condensation peut givrer et s'accumuler sur un mur extérieur, sous la corniche du toit ou sur toute surface adjacente. Prévoyez une certaine décoloration de l'extérieur du bâtiment; toutefois, un positionnement inapproprié de la terminaison ou sa mauvaise installation risque de sérieusement endommager la finition extérieure ou même la structure du bâtiment. Dans les lieux où il est habituel que la température descende sous les 4°C (40°F) pendant de longues périodes de temps, où dans une installation où la terminaison d'évacuation fait face aux vents dominants, positionnez la terminaison d'évacuation à au moins 2 pi (0,61 m) de toute structure pouvant être endommagée par la condensation.

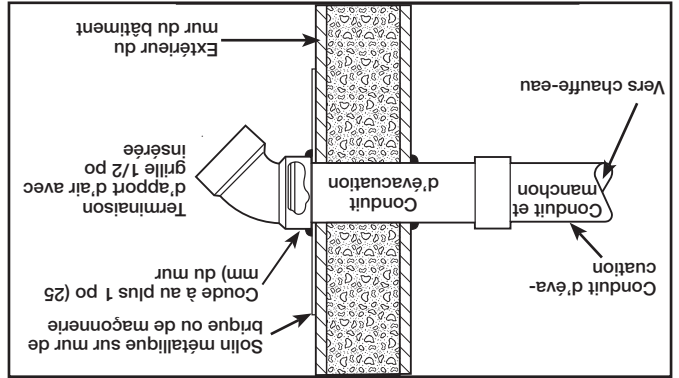
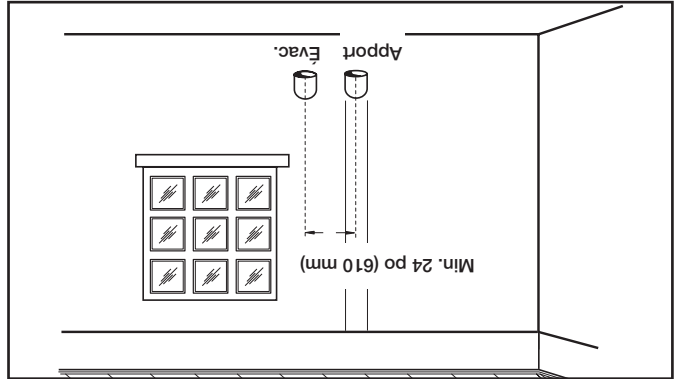
VENTILATION À L'HORIZONTALE

Déterminez l'emplacement des terminaisons puis percez des ouvertures permettant le passage du conduit d'évacuation à travers le mur. Dans une installation murale, les conduits de ventilation peuvent uniquement être orientés à l'horizontale (voir figure installation-type, ventilation horizontale).

Insérez une faible longueur du conduit d'évacuation à travers le mur et connectez-le au raccord, comme dans la figure installation-type, ventilation horizontale. Connectez la terminaison du conduit de ventilation à l'extérieur du bâtiment. Étanchéifiez toute ouverture autour du conduit ou des raccords à l'aide de mortier ou de scellant à la silicone, comme illustré à la figure installation-type, ventilation horizontale.

Complétez l'installation des conduits de ventilation aux raccords du chauffe-eau. Au besoin, supportez toute section horizontale comme précédemment indiqué.

INSTALLATION-TYPE, VENTILATION HORIZONTALE



Considérations additionnelles (pages suivantes).

NE PAS positionner les terminaisons de ventilation sous un porche ou une terrasse.

Afin de prévenir la condensation et le givrage de l'humidité sur les murs ou sous la corniche du toit, **NE PAS** positionner la terminaison d'évacuation sur un mur orienté vers les vents dominants.

NE PAS positionner une terminaison de ventilation directement sur un mur de briques ou de maçonnerie; le cas échéant, il est recommandé d'installer un solin métallique résistant à la corrosion à l'arrière de la terminaison (voir figure ci-dessus).

NE PAS positionner la terminaison trop près d'arbustes; les gaz de combustion peuvent les endommager.

Étanchéifiez toutes les fentes, joints et jonctions dans un rayon de 6 pi (1,83 m) autour de la terminaison.

Il est suggéré d'appliquer un apprêt à toutes les surfaces peintes, afin de minimiser les risques de dommages. Les surfaces peintes doivent être régulièrement entretenues.

Installation à ventilation directe (DV)

conduite d'évacuation de la condensation ne laissent pas s'échapper des gaz de condensation. Reportez-vous à la section "Ventilation" (page 8) du présent manuel pour les instructions complètes sur la ventilation et l'évacuation de la condensation.

Une installation inadéquate des conduits et raccords de ventilation peut engendrer un stress mécanique important dans ceux-ci. Le recours à des brides de fixation rigides ou à des supports qui empêchent le libre déplacement des conduits de ventilation risque d'engendrer des contraintes mécaniques élevées lors de la traversée d'un mur ou lors des cycles d'expansion / contraction du conduit. Installez le conduit de façon à minimiser ces contraintes mécaniques. Suivez la procédure qui suit pour le perçage d'un orifice de pénétration de conduits de ventilation à travers un mur:

1. Découpez deux orifices pour le passage des conduits. Prévoir un diamètre de 2,5 po (64 mm) pour un conduit de 2 po, 3,5 po (89 mm) pour un conduit de 3 po et de 6,5 po (165 mm) pour un conduit de 6 po. Prévoir un dégagement horizontal d'au moins 24 (610 mm) entre les terminaisons.
2. Utilisez un système d'adhésion approprié pour PVC (apprêt et adhésif) pour raccorder les terminaisons d'apport d'air et d'évacuation fournies aux conduits de ventilation. La distance entre la partie arrière de la terminaison d'évacuation et le mur extérieur doit être supérieure d'au moins 6 po (127 mm) à celle entre la terminaison d'évacuation et la terminaison d'apport d'air. Utilisez un adhésif ou un produit d'étanchéité, ainsi qu'une méthode d'assemblage appropriés pour le raccordement des conduits de ventilation au ventilateur. Tout tronçon horizontal de conduit d'apport d'air doit être supporté au moins tous les 3 pi (914 mm).

Assurez-vous que les gaz de combustion NE SERONT PAS réaspirés par la terminaison d'apport d'air. Le rendement du chauffe-eau peut être notablement affecté par la recirculation des gaz de combustion.

Même si toutes les distances de dégagement entre les terminaisons sont respectées, il peut y avoir recirculation des gaz de combustion, en fonction notamment du positionnement sur le bâtiment, la proximité d'autres bâtiments ou d'un coin, les conditions météo, le vent ou la neige.

Assurez-vous régulièrement de l'absence de recirculation des gaz de combustion. Certains indices signalent l'existence d'une recirculation: terminaisons d'apport d'air givrée ou gelée, condensation dans la terminaison et le conduit d'apport d'air, rouille ou dépôt crayeux blanc sur le détecteur de flammes ou le détecteur de l'allumeur. Pour corriger un problème de recirculation, il faut parfois réorienter la terminaison d'apport d'air dans un axe différent de celui de l'évacuation, éloigner les terminaisons l'une de l'autre ou tirer l'air frais de l'intérieur du bâtiment. Assurez-vous que les terminaisons d'apport d'air et d'évacuation ne sont pas obstruées, particulièrement lorsque la température descend sous le point de congélation.

Toutes les composantes des conduits d'apport d'air et d'évacuation doivent être du même diamètre. NE PAS utiliser des conduits d'apport d'air et d'évacuation de diamètres dissimilaires.

Assurez-vous que toute condensation puisse s'évacuer vers un drain de capacité suffisante, afin d'éviter toute accumulation d'eau dans le chauffe-eau. Dans les climats froids, prenez les précautions nécessaires pour éviter le gel du tuyau d'évacuation de la condensation. Assurez-vous que le collecteur de condensation ou la boucle de la

Longueur minimale et maximale de ventilation

Informations importantes pour toutes les installations:

- 1) Les longueurs minimales requises correspondent à la longueur des conduits d'apport d'air et d'évacuation, entre le chauffe-eau et l'extérieur du bâtiment.
 - 2) Chaque coude à 90° (à rayon standard ou long) possède une longueur équivalente comme indiqué.
 - 3) Chaque coude à 45° possède une longueur équivalente de 2,5 pi (0,76 m).
 - 4) NE PAS utiliser des sections de conduits de diamètre différent; les conduits doivent être de diamètre uniforme sur toute leur longueur.
 - 5) Les terminaisons de ventilation (horizontales ou verticales) doivent être positionnées à au moins 24 po (610 mm) et à au plus 36 po (914 mm) l'une de l'autre (centre-à-centre).
- Le dépassement de la longueur équivalente maximale peut causer un mauvais fonctionnement du chauffe-eau ou son verrouillage.

Longueur (pi)	Longueur (m)
20	6,1
50	15,2
60	18,3
70	21,3
80	24,4
100	30,5
120	36,6
130	39,6
170	51,8

Longueurs ventilation équivalent commercial

50G-76K et 50G-100K; ÉVAC. FORCÉE (PV); (CONDUIT RIGIDE)
 50G-76K et 50G-100K; ÉVAC. DIR. ET FORCÉE (PDV); (CONDUIT RIGIDE)

Altitude (pi)	Diamètre (po)	Long. eq. max. GN (pi)	Long. eq. max. PL (pi)	LONGUEUR MINIMALE DES CONDUITS D'APPORT D'AIR ET D'ÉVACUATION: 10 PI ÉQ.			
				Apport d'air	Évacuation	Apport d'air	Évacuation
0-10 100	2"	40'	40'	40'	40'	140'	140'
	3"	140'	140'	140'	140'	140'	140'
	4"	140'	140'	140'	140'	140'	140'
TERMINAISON CONCENTRIQUE	90° 2" et 3"; 2" 3" et 4"; et 2" et 3"	40'	40'	140'	140'	140'	140'
		140'	140'	140'	140'	140'	140'
		140'	140'	140'	140'	140'	140'
Terminals		Long. eq. max. PL (pi)	Évacuation	Apport d'air	Évacuation	Apport d'air	Évacuation

NOTE: raccords d'apport d'air et d'évacuation femelle, pour tuyau 2 po, Schedule 40. Il est possible d'utiliser un adaptateur pour utiliser un tuyau 3 po ou 4 po (conduits d'apport d'air et d'évacuation). Les conduits d'apport d'air et d'évacuation doivent toujours être de taille identique. Les calculs de longueur équivalente doivent être basés sur le diamètre de la terminaison.

Tous les modèles à évacuation directe et forcée (PDV) peuvent utiliser un système de ventilation concentrrique de 2 po pour les longueurs ci-dessus.
 Les terminaisons concentriques de 2 po nécessitent des conduits rigides de 2 po.
 NE PAS utiliser des diamètres de conduits rigides autres que ceux indiqués pour chaque diamètre de terminaison concentrique; cela peut causer un dysfonctionnement du chauffe-eau ou entraîner son verrouillage.
 Les terminaisons concentriques de 3 po peuvent être raccordées à des conduits de 3 ou 4 po.

Suivez les directives d'installation du fabricant des tuyaux flexibles.

Tuyau en polypropylène flexible (pi)			
Diamètre conduit (po)	2"	3"	
Long. max. évac. forcée (PV)	0	0	30' (13m)
Apport d'air	Évacuation	Apport d'air	Évacuation

étanches; nous recommandons les produits suivants:

Composantes en PVC: adhésif de type ASTM D-2564;

Composantes en PVC: adhésif de type ASTM F-493;

Composantes en ABS: adhésif de type ASTM D-2235

(ABS non permis au Canada).

Apprêt-nettoyant et adhésif de consistance moyenne

1. Coupez les tuyaux à angle droit et ébarbez les

imperfections laissées par la coupe. Réalisez un chanfrein

d'introduction à l'extrémité du tuyau; nettoyez l'extrémité

du tuyau et l'emboîture du raccord.

2. Après avoir vérifié le bon ajustement du tuyau et du

raccord, appliquez une couche généreuse d'apprêt-

nettoyant sur la surface extérieure du tuyau et à l'intérieur

du raccord. NE PAS laisser l'apprêt sécher avant

d'appliquer l'adhésif.

3. Appliquez une mince couche d'adhésif dans le raccord.

Appliquez rapidement une généreuse couche d'adhésif sur

l'extrémité du tuyau. Insérez-le avec une légère rotation,

jusqu'à ce qu'il bute au fond du raccord.

4. Maintenez en place le joint pendant environ 30 secondes;

il arrive parfois que le tuyau soit exposé du raccord lors

du durcissement.

5. Nettoyez tout excès d'adhésif à l'aide d'un chiffon.

Laissez le joint durcir pendant 15 minutes avant de la

manipuler. La durée de durcissement varie en fonction de

l'ajustement du joint, de la température et de l'humidité.

AVIS:

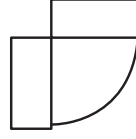
Agitez fréquemment l'adhésif lorsque le pot est en utilisation. Utilisez une brosse à soies naturelles ou l'applicateur fourni avec le pot de colle. Utilisez une brosse d'un pouce (25 mm), le cas échéant.

Considérations additionnelles, coudes

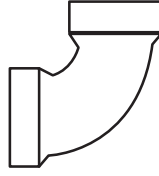
EXEMPLES DE COUDES:

Il est recommandé d'utiliser des coudes à rayon de courbure standard ou allongé. Voir exemples illustrés.

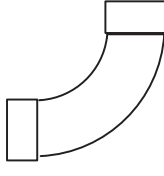
Coude à 90°
à faible rayon
Longueur équiv.
10 pieds



Coude à 90°
standard
Longueur équiv.
8 pieds



Coude à 90°
à long rayon
Longueur équiv.
5 pieds



DANGER D'INCENDIE OU DE BLESSURE

Les apprêts et adhésifs à base de solvants sont très inflammables. Travaillez dans un lieu bien ventilé et ne pas assembler à proximité de toute source de chaleur ou flamme nue. NE PAS fumer. Évitez tout contact avec la peau ou les yeux. Respectez tous les avertissements imprimés sur les contenants.

ATTENTION:

• NE PAS utiliser de colle caillée, grumeleuse ou épaisse.

• NE PAS délayer l'adhésif. Respectez la date

d'expiration indiquée sur le pot.

• Pour un assemblage à une température inférieure

à 0°C (32°F), utilisez uniquement un adhésif basse

température.

• Utilisez toujours l'apprêt-nettoyant et l'adhésif

conçus précisément pour le type de tuyau utilisé

(PVC, CPVC, PP ou ABS).

POUR UNE BONNE INSTALLATION

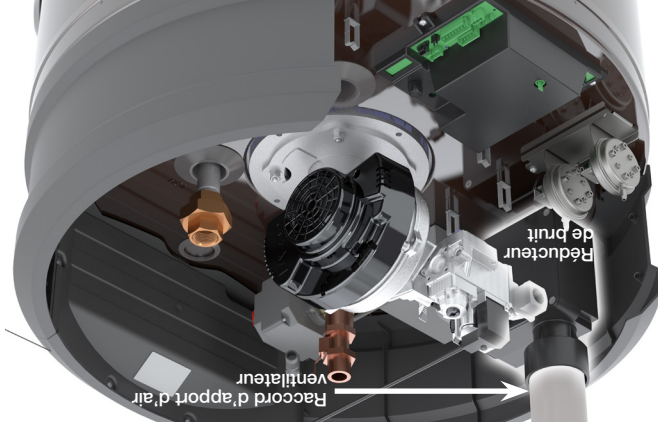
AVIS:

L'utilisation de conduits à âme alvéolaire en PVC (ASTM-F891), en ABS de calibre 40 (Schédule 40), DWV à âme alvéolaire (ASTM-F628) ou en RadelMD (polyphénylsulfone) dans un système de ventilation non métallique, est interdite.

La ventilation peut être à configuration horizontale (termination à travers un mur) ou verticale (termination à travers le toit). Les sections de conduits verticaux et horizontaux doivent être adéquatement supportées. L'intervalle maximal recommandé entre les sangliers est de 3 pi (0,915 m). Installez la première sanglier au début de la première section horizontale, immédiatement à la suite du premier coude à 90° qui réoriente le conduit de la verticale à l'horizontale. Afin de réduire la transmission de vibrations aux solives du plancher ou à toute autre structure de soutien, il est recommandé d'installer des coussinets isolants entre les sangliers de support et le conduit. NE PAS supporter le système de ventilation de façon à restreindre les mouvements normaux d'expansion et de contraction thermique du matériau choisi (les appuis doivent être libres).

Si le chauffe-eau est installé comme appareil de remplacement d'un autre chauffe-eau à évacuation forcée (PV) ou à évacuation directe et forcée (PDV), procédez à une inspection minutieuse du système d'évacuation existant avant d'entreprendre l'installation. Assurez-vous qu'il est fabriqué de matériaux adéquats, comme décrit plus haut, que sa longueur équivalente corresponde aux limites minimales et maximales prescrites et que sa termination est installée comme décrit dans le présent manuel. Inspectez attentivement tout le système de ventilation, portez une attention particulière à l'éventuelle présence de fissures et de fractures, particulièrement dans les joints des coudes, des divers raccords et des sections linéaires. Assurez-vous de l'absence d'affaissement ou de tout autre signe de contrainte dans les joints, notamment en raison d'un mauvais alignement des composants du système. Toute anomalie doit

RACCORDEMENT D'APPORT D'AIR



être corrigée conformément aux instructions de ventilation du présent manuel, avant de terminer les travaux d'installation et de mettre en service le chauffe-eau. Des informations supplémentaires sur l'installation dans le Commonwealth of Massachusetts se trouvent à l'arrière du manuel.

RACCORD D'APPORT

D'AIR

Reportez-vous à la figure "Raccordement d'apport d'air", pour effectuer le raccordement d'apport d'air au chauffe-eau. Ces modèles peuvent être ventilés par ventilation directe (DV) ou par évacuation forcée (PV).

AVIS:

Dans une installation à évacuation forcée (PV), la grille de termination doit être installée sur le conduit d'apport d'air. Avant même d'entreprendre l'installation, planifiez l'acheminement du système de ventilation avec une grande attention. Minimisez la longueur des conduits de ventilation (apport d'air et évacuation). Reportez-vous au Tableau 1, pour le dimensionnement des conduits de ventilation (diamètre, longueur équivalente totale), NE PAS dépasser les longueurs équivalentes admissibles indiquées dans les tableaux.

En fonction du diamètre sélectionné pour le système de ventilation, il peut être nécessaire d'installer un raccord adaptateur de diamètre au raccord du chauffe-eau. NE PAS réduire le diamètre à moins de 2 po. Tous les modèles sont livrés avec des terminaisons de ventilation de 2 po avec grille intégrée. Le diamètre des terminaisons doit toujours être identique au diamètre des conduits du système de ventilation.

Dans une installation à ventilation directe (DV) horizontale (murale), les deux terminaisons doivent être positionnées à l'horizontale sur le même mur extérieur, avec un entre-axes d'au moins 15 po (380 mm).

RACCORDEMENT DES CONDUITS ET RACCORDS

Tous les tuyaux, raccords, appâts, adhésifs et procédures doivent se conformer aux normes de l'« American National Standards Institute » et de l'« American Society for Testing and Materials » (ANSI/ASTM) aux États-Unis. Au Canada, les tuyaux, raccords, appâts, adhésifs et procédures doivent être conformes à la norme UL-C-5636 et aux exigences du fabricant du système de ventilation.

COLLAGE DES JOINTS

AVIS:

Tous les tuyaux, raccords, appâts, adhésifs et procédures doivent se conformer aux normes de l'« American National Standards Institute » et de l'« American Society for Testing and Materials » (ANSI/ASTM).

Tous les joints du système de ventilation doivent être

APPORT D'AIR ET ÉVACUATION

AVIS:

Cet appareil peut uniquement être ventilé avec des conduits fabriqués des matériaux indiqués ci-dessous.
Utilisez uniquement des conduits de 2, 3 ou 4 po de diamètre.

Reportez-vous à vos codes locaux pour connaître les exigences d'utilisation des conduits et raccords en PVC, en CPVC, en PP ou en ABS. Au Canada, tous les composants entrant dans la fabrication du système de ventilation doivent être homologués UL-C-S636.

NOTE: Dans l'état du Massachusetts, utilisez uniquement des tuyaux, raccords et terminaisons en plastique tels que spécifiés dans le présent manuel et qui sont approuvés par le Massachusetts Board of State Examiners of Plumbers and Gas pour l'évacuation d'appareils à combustion (voir lien ci-dessous):

https://licensing.reg.state.ma.us/public/pl_products/pb_pre_form.asp

PVC (DwV, ASTM-D2665 ou CSA B181.2)

PVC (Schedule 40, ASTM-D1785 ou CSA B137.3)

PVC (SDR Series, ASTM-D2241 ou CSA B137.3)

CPVC (CPVC 4120, ASTM-D2846 ou CSA B137.6)

CPVC (Schedule 40, ASTM-F441 ou CSA B137.3)

CPVC (SDR Series, ASTM-F442)

ABS (Schedule 40, DWV, ASTM-D2661 ou CSA B181.1)

ABS (annexe 40, DWV, noyau cellulaire, ASTM-F628)

Polypropylène

NOTE: cet appareil peut uniquement être ventilé par ventilation directe (DV) ou par évacuation forcée (PV).

NOTE: Installations à évacuation forcée: Cat. IV.

AVERTISSEMENT:

NE PAS raccorder ce chauffe-eau à tout conduit d'évacuation existant ou à une cheminée; il doit être ventilé séparément de tout autre appareil, à l'aide de conduits de ventilation approuvés.

AVERTISSEMENT:

Le défaut de ventiler le chauffe-eau à l'extérieur du bâtiment comme indiqué ci-dessus et dans la section qui suit peut entraîner son mauvais fonctionnement, ce qui peut causer un incendie ou une explosion pouvant se traduire par des dommages matériels, de graves blessures ou la mort.

! DANGER:

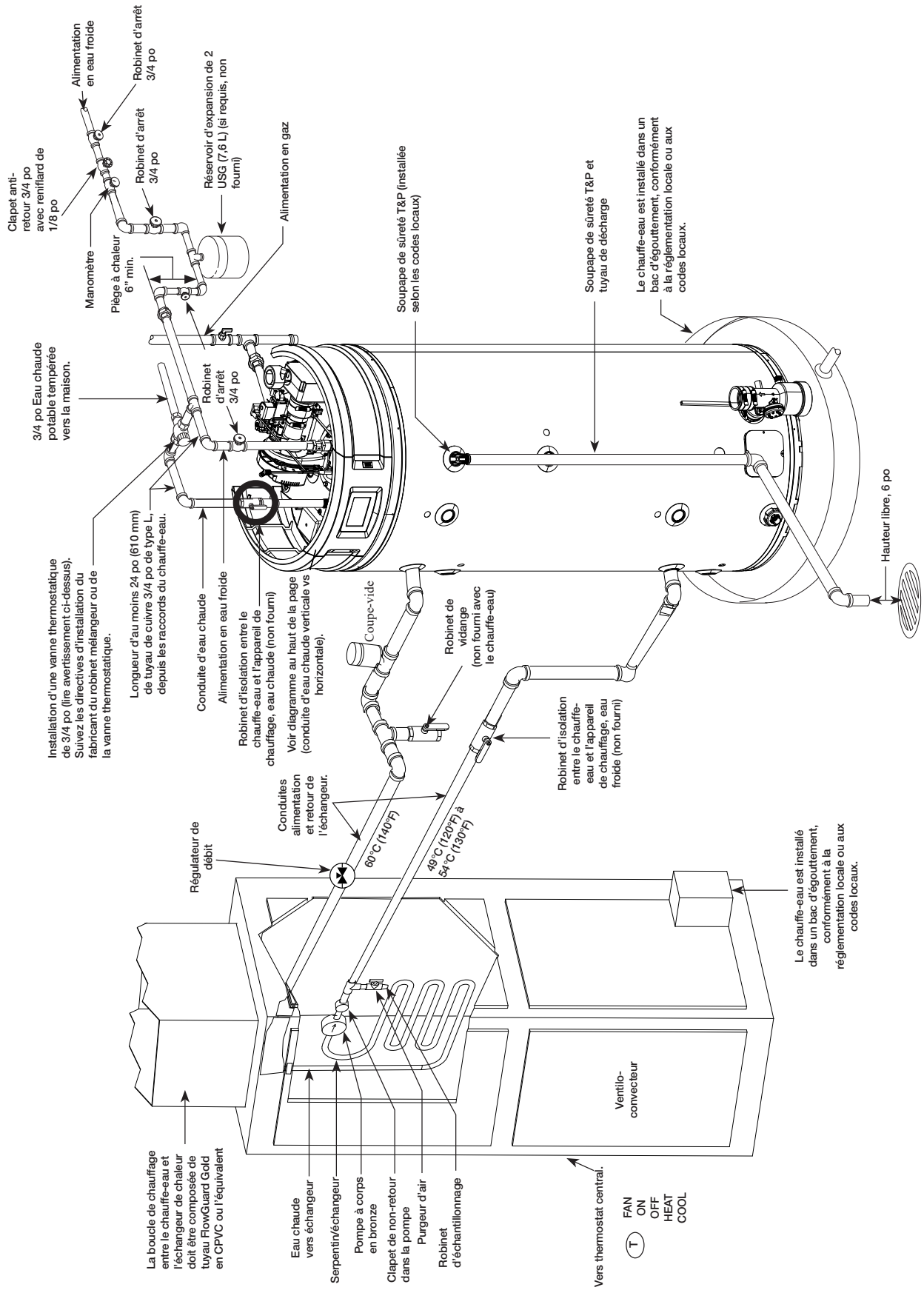
Afin d'éviter un risque d'incendie, d'explosion ou d'asphyxie des occupants au monoxyde de carbone, ne faites JAMAIS fonctionner le chauffe-eau si ses conduits d'apport d'air et d'évacuation ne sont pas installés en conformité avec les directives de la présente section.

Les sections successives des conduits d'apport d'air et d'évacuation doivent se chevaucher d'au moins 1/2 po (13 mm) à chaque joint. Il est important que les sections de conduits d'apport d'air et d'évacuation s'emboîtent correctement aux raccords jusqu'à la cure complète de l'adhésif. NE PAS percer de trous dans les conduits de plastique ou leurs raccords.

IMPORTANT

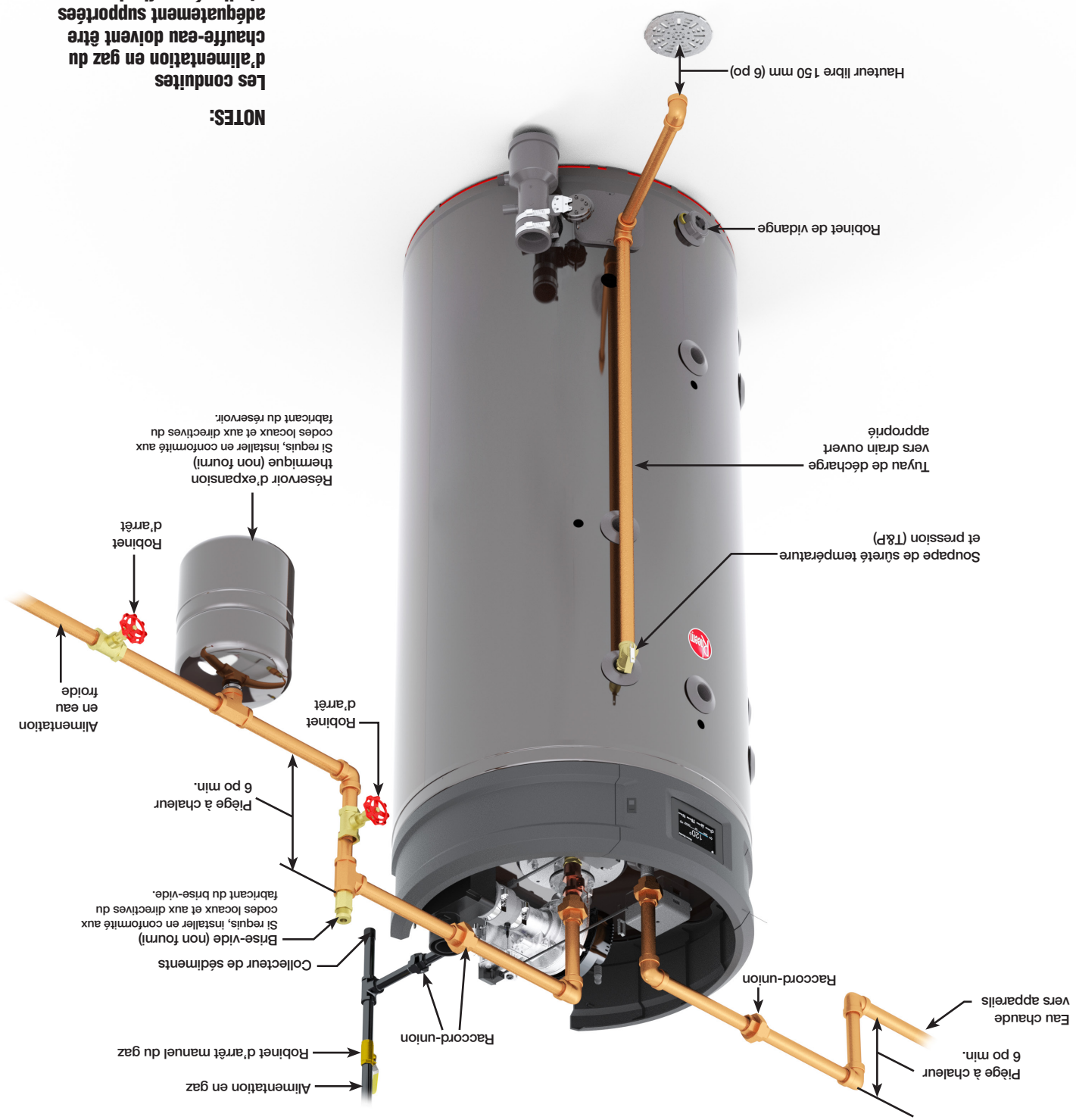
Lorsque les codes d'état ou codes locaux applicables exigent l'installation de terminaisons, qui dans le présent Manuel d'utilisation et d'entretien doivent être certifiés conformément à la norme UL 1738 pour les systèmes de ventilation des appareils de combustion au gaz de Catégories II, III et IV, veuillez communiquer avec le Service technique du fabricant (voir la dernière page).

DIAGRAMME DE PLOMBERIE-TYPE, CHAUFFAGE COMBINÉ



INSTALLATION

INSTALLATION-TYPE

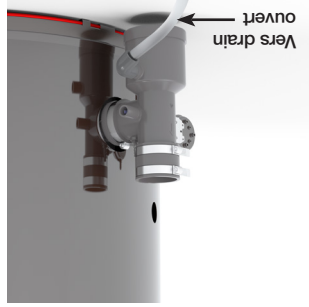


NOTES:
 Les conduites d'alimentation en gaz du chauffe-eau doivent être adéquatement supportées et alignées, afin de minimiser le transfert de contrainte à la commande du gaz et au brûleur.

CONDENSATION NEUTRALISANT



DRAIN DE CONDENSATION



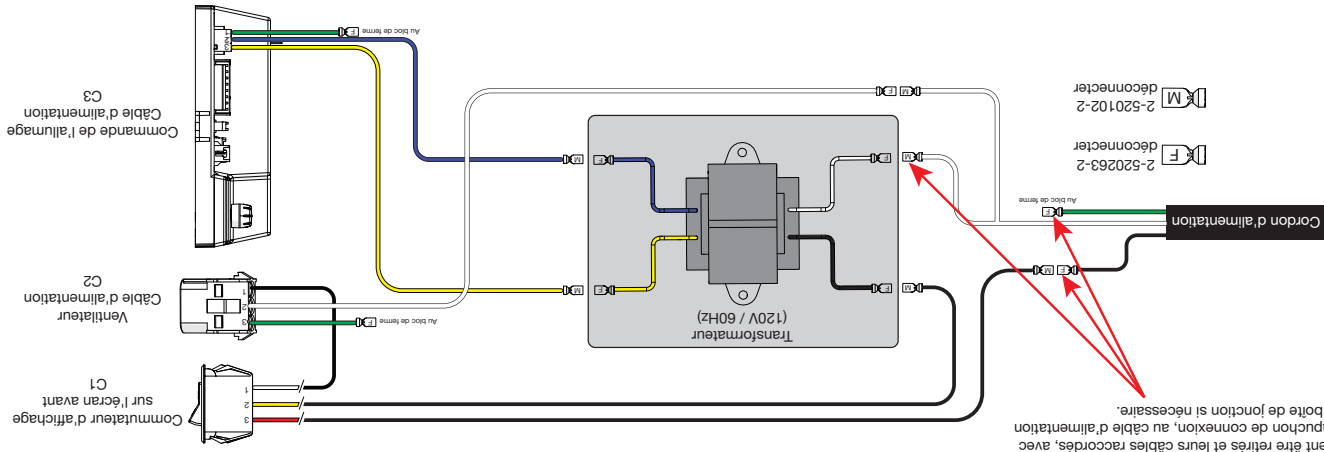
Ce chauffe-eau est un appareil à haute efficacité énergétique muni d'un dispositif d'évacuation de la condensation. Le té d'évacuation/collecteur de condensation doit être rempli d'eau avant la mise en service du chauffe-eau. Versez environ une tasse d'eau dans le té d'évacuation.

Comme ce chauffe-eau génère de la condensation, il doit être installé à proximité d'un drain de capacité suffisante. Le tuyau de drainage de la condensation et ses raccords doivent être installés selon les instructions d'installation.

Assurez-vous que la condensation s'écoule librement jusqu'au drain et ne s'accumule pas dans le collecteur de condensation ou dans le tuyau d'évacuation de la condensation. Dans les climats froids, prenez les précautions nécessaires pour éviter le gel du tuyau de drainage de la condensation, p. ex.: le recouvrir de ruban chauffant étanche à l'eau.

- La condensation est légèrement acide et doit être recueillie et éliminée selon les exigences des codes locaux, certains exigeant sa neutralisation avant son renvoi au drain. Ce chauffe-eau est livré avec un sac de produit neutralisant. Versez le neutralisant dans le té d'évacuation avant d'installer le conduit d'évacuation. Assurez-vous que le neutralisant s'est déposé au fond du té d'évacuation.
- Utilisez uniquement des tubes en PVC, CPVC ou en boyau flexible pour évacuer la condensation. Si un boyau flexible est utilisé: s'assurer qu'il ne soit pas courbé ou tordu et qu'il maintient une pente uniforme jusqu'au drain.
- Le diamètre du tuyau de drainage doit être égal ou supérieur à celui du raccord de collecte de la condensation (1/2 po).
- Le tuyau de drainage doit être aussi court que possible et

Dans les applications commerciales, les sectionneurs peuvent être retirés et leurs câbles raccordés, avec un capuchon de connexion, au câble d'alimentation de la boîte de jonction si nécessaire.



⚠️ AVERTISSEMENT:

Le défaut d'installer un chauffe-eau réglé pour l'altitude du lieu d'installation peut endommager et causer le dysfonctionnement de l'appareil, ce qui peut entraîner un échappement de monoxyde de carbone pouvant se traduire par de graves blessures ou la mort.

HAUTE ALTITUDE

- La puissance nominale du chauffe-eau est basée sur une utilisation au niveau de la mer. À une altitude plus élevée, la puissance produite peut être inférieure que la valeur indiquée sur la plaque signalétique en raison de la pression intérieure de gaz naturel ou de propane.
- NE PAS décharger la condensation sur un passage public.
 - NE DOIT PAS se décharger dans le bac d'égouttement.
 - NE PAS connecter le tuyau de drainage à celui de tout autre égout.
 - NE PAS directement raccorder le tuyau de drainage à un drain approprié.
 - L'extrémité du tuyau de drainage doit être à l'air libre, elle ne doit pas se terminer sous l'eau.
 - NE PAS directement raccorder le tuyau de drainage à un drain approprié.
 - L'extrémité du tuyau de drainage doit être à l'air libre, elle ne doit pas se terminer sous l'eau.
 - NE PAS directement raccorder le tuyau de drainage à un drain approprié.
 - NE PAS décharger la condensation sur un passage public.
 - NE DOIT PAS se décharger dans le bac d'égouttement.
 - NE PAS connecter le tuyau de drainage à celui de tout autre égout.
 - NE PAS directement raccorder le tuyau de drainage à un drain approprié.
 - L'extrémité du tuyau de drainage doit être à l'air libre, elle ne doit pas se terminer sous l'eau.
 - NE PAS directement raccorder le tuyau de drainage à un drain approprié.

CÂBLAGE

Circuit de dérivation 120 V, 50/60 Hz, correctement polarisé, avec dispositif de sectionnement approprié. Cet appareil nécessite un courant maximal de 7 A. Avant d'être mis en service, l'appareil doit être mis à la masse en conformité avec les codes locaux ou, en l'absence de codes locaux, en conformité avec le « National Electrical Code, ANSI/NFPA 70 » aux États-Unis, ou le « Code canadien de l'électricité CSA C22.1 » au Canada. Une mauvaise mise à la masse ou l'inversion de la polarité peut entraîner le dysfonctionnement de chauffe-eau.

dissimulée et doit être protégée du gel. Enfin, le tuyau de décharge ne doit comporter aucune robinetterie ou restriction, ni aucun raccord réducteur.

REMPLISSAGE DU CHAUFFE-EAU

Assurez-vous que le robinet de vidange du chauffe-eau est fermé, puis ouvrez le robinet d'arrêt de la conduite d'alimentation en eau froide.

Ouvrez tous les robinets d'eau chaude de la résidence afin de purger l'air emprisonné dans le chauffe-eau et les canalisations.

L'obtention d'un jet d'eau continu de tous les robinets d'eau chaude indique que le chauffe-eau est complètement rempli d'eau.

ALIMENTATION EN GAZ

La pression d'alimentation en gaz du chauffe-eau ne doit PAS excéder 10,5 po c.e. (2,6 kPa) pour le gaz naturel et 13 po c.e. (3,2 kPa) pour le propane. La plaque signalétique du chauffe-eau indique la pression minimale d'alimentation requise lorsque le brûleur est allumé. Assurez-vous que la canalisation d'alimentation en gaz n'est pas sous-ou

surpressurisée; appelez le fournisseur de gaz le cas échéant. La conduite d'alimentation en gaz du chauffe-eau doit être correctement dimensionnée, nettoyée et fabriquée en acier ou de tout autre matériau approuvé.

La conduite d'alimentation en gaz doit comporter un raccord-union à proximité du chauffe-eau ou le raccordement flexible certifié par ANSI, Aux Etats-Unis, le National Fuel Gas Code exige l'installation d'un robinet d'arrêt manuel du gaz; le consulter pour plus de détails.

Si un conduit de raccordement flexible est utilisé, sa longueur doit être inférieure à 914 mm (36 po) et il doit être conforme aux exigences de la norme ANSI Z21.24/CSA 6.10 - Connectors for gas appliances.

Pour les appareils au propane, le composé d'étanchéité utilisé sur les filets des conduites doit être certifié pour une utilisation avec du propane. Appliquez une mince couche de composé uniquement sur les raccords mâles.

Lorsque l'appareil ne comporte pas de collecteur de sédiments intégré, installez un collecteur de sédiments en aval du robinet d'arrêt manuel de l'appareil, aussi près que possible du point d'entrée du gaz dans l'appareil. Le collecteur de sédiments doit être fabriqué à l'aide d'un métal dont l'orifice inférieur est capuchonné, ou il peut s'agir d'un dispositif conçu précisément pour recueillir les impuretés. Voir figure.

NE PAS utiliser une force excessive (20 lb-pi) pour serrer le joint de tuyau à l'entrée de la commande du gaz (thermostat), en particulier si les filets sont étanchéifiés avec du Téflon, au risque d'endommager le boîtier de la commande du gaz. La plaque signalétique du chauffe-eau indique la pression

ESSAI D'ÉTANCHÉITÉ

Le chauffe-eau et tous ses raccords doivent subir un essai d'étanchéité à la pression de service normale, avant la mise en service du chauffe-eau. Ouvrez le robinet d'arrêt manuel du gaz situé à proximité du chauffe-eau. Appliquez une solution savonneuse pour vérifier l'étanchéité de tous les raccords. La présence de bulles indique la présence d'une fuite. Toute fuite doit être colmatée. L'étanchéité des raccords de la commande du gaz effectués en usine doit aussi être vérifiée lorsque le chauffe-eau fonctionne.

AVERTISSEMENT:

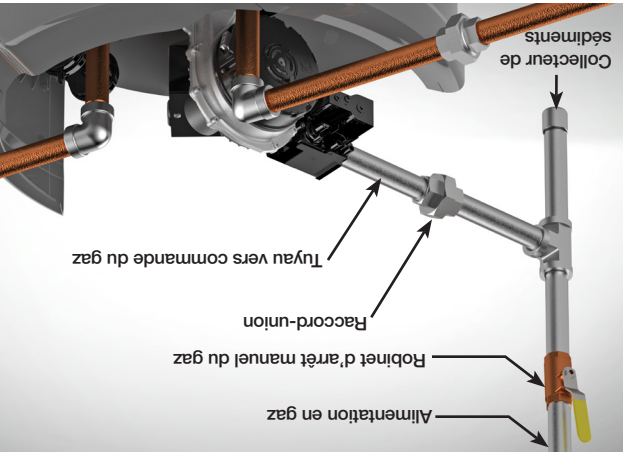
N'utilisez JAMAIS une flamme nue pour effectuer un essai d'étanchéité; cela pourrait entraîner des dommages matériels, de graves blessures ou la mort.

ESSAI DE PRESSION DU SYSTÈME D'ALIMENTATION EN GAZ

Le chauffe-eau et son robinet d'arrêt manuel DOIVENT être déconnectés du réseau d'alimentation en gaz lors de tout essai d'étanchéité effectué à une pression supérieure à 1/2 psi (3,5 kPa). Lorsque l'essai d'étanchéité est effectué à une pression de 1/2 psi (14 po c.e. / 3,5 kPa) ou moins, le chauffe-eau peut être isolé du réseau d'alimentation en gaz par la seule fermeture du robinet d'arrêt manuel du gaz.

CONDENSATION

Le té d'évacuation/collecteur de condensation est monté au chauffe-eau à l'usine. Versez le neutralisant dans le té d'évacuation avant d'installer le conduit d'évacuation. Assurez-vous que le neutralisant se trouve au fond du té, comme illustré dans la figure de la page suivante.



corriger ce problème!

Il est plutôt suggéré d'installer un réservoir d'expansion thermique sur la conduite d'alimentation en eau froide, entre le clapet antiretour et le chauffe-eau. Le réservoir d'expansion renferme un volume d'air qui se comprime lorsque la pression augmente dans le système. Cela permet de dissiper la surpression et d'empêcher le déclenchement répété de la soupape de sûreté. Il existe d'autres moyens de contrôle de l'expansion thermique. Veuillez communiquer avec un plombier, votre fournisseur du service d'eau ou un inspecteur en plomberie pour obtenir plus de détails.

RACCORDS D'EAU

Reportez-vous à l'illustration de la page 12 (installation-type). Il est recommandé d'installer des raccords union ou des tuyaux de raccordement flexibles sur les conduits d'eau froide et d'eau chaude du chauffe-eau, ce qui facilite le débranchement du chauffe-eau du réseau, au besoin. Si des tuyaux de raccordement flexibles sont installés, ils doivent être conformes à la norme relative aux raccords flexibles, ASME A112.18.6/CSA-B125.6. Les raccords d'eau chaude et d'eau froide du chauffe-eau sont clairement identifiés ("HOT" et "COLD"). Installez un robinet d'arrêt sur la conduite d'alimentation en eau froide, à proximité du chauffe-eau.

IMPORTANT

Pour les modèles équipés de panneaux avant et latéraux: il est recommandé que les conduites d'eau chaude et froide s'élèvent sur une hauteur d'au moins 10 po (250 mm), depuis la partie supérieure du chauffe-eau, avant leur premier coude. Ce dévirement est requis pour permettre le retrait et la réinstallation des panneaux latéraux.

Les panneaux latéraux doivent être enlevés pour accéder aux raccords d'eau chaude et froide. Les panneaux latéraux sont fixés sur le dessus du chauffe-eau avec des chevilles de fixation (voir l'illustration). Tirez les panneaux latéraux vers l'extérieur ou vers le haut pour les libérer des chevilles.

SOUPAPE DE SURPRESSION

La pression nominale de déclenchement de la soupape de sûreté ne doit pas dépasser 150 psi (1034 kPa), qui est la pression de service maximale indiquée sur la plaque signalétique du chauffe-eau.

La puissance nominale de déclenchement de la soupape de sûreté, en BTU/h, ne doit pas dépasser la puissance nominale indiquée sur la plaque signalétique du chauffe-eau. Positionnez l'orifice de la soupape de sûreté au-dessus d'un drain de capacité suffisante, afin d'éliminer la possibilité d'un dégât d'eau. Utilisez un tuyau de décharge approuvé pour l'acheminement d'eau chaude.

Le diamètre du tuyau de décharge ne doit pas être inférieur au diamètre de l'orifice de sortie de la soupape. De même, il doit conserver une pente descendante lui permettant d'évacuer, par gravité, toute décharge de la soupape de sûreté. L'extrémité du tuyau de décharge ne doit pas être filotée ni

Si le chauffe-eau doit être installé sur une surface tapissée, celle-ci doit être recouverte par un panneau de métal ou de bois dont les dimensions surplombent la pleine largeur et profondent de l'appareil d'au moins 76 mm (3 po). Si ce chauffe-eau est installé dans un placard ou une alcôve, la totalité de la surface du plancher doit être recouverte par le panneau de bois ou de métal.

ATMOSPHÈRE CORROSIVE

Par exemple, l'air des lieux suivants contient souvent des hydrocarbures halogénés: salon de beauté, commerce de nettoyage à sec, laboratoire de développement de photos, lieux où sont entreposés des produits chlorés en poudre ou liquides ou des produits pour la piscine.

De l'air contenant des hydrocarbures halogénés est salubre à respirer, mais son passage à travers une flamme génère des produits corrosifs qui raccourcissent la durée de vie de tout appareil au gaz.

Le gaz propulseur des produits en canette ou le gaz libéré par une fuite de climatiseur ou d'équipement de réfrigération génère des produits hautement corrosifs à la suite de son passage dans une flamme.

Toute déficuosité du chauffe-eau causée par une atmosphère corrosive invalide sa garantie.

EXPANSION THERMIQUE

Déterminez si la conduite d'alimentation en eau froide comporte un clapet antiretour. Il pourrait s'agir d'un clapet installé séparément sur la conduite d'eau froide ou intégré à un dispositif anti-retour, à un réducteur de pression, à un compteur d'eau ou à un adoucisseur d'eau. Lorsqu'un clapet antiretour est installé dans la conduite d'alimentation en eau froide, on est en présence d'un "système fermé". Inversement, lorsque la conduite d'alimentation en eau froide n'est pas munie d'un dispositif antirefoulement, on est en présence d'un système "ouvert".

Lorsque l'on chauffe de l'eau, celle-ci gagne en volume, ce qui risque d'engendrer une hausse de pression dans le système d'alimentation en eau. Ce phénomène se nomme "expansion thermique". Dans un système "ouvert", le volume supplémentaire d'eau engendré par le chauffage de l'eau dans le chauffe-eau est refoulé vers la conduite matressée de la municipalité, ce qui évite toute hausse de pression.

Toutefois, dans un système "fermé", le volume supplémentaire d'eau chaude ne peut se diriger vers la canalisation matressée, ce qui peut entraîner une hausse rapide et dangereuse de pression dans le chauffe-eau (phénomène "d'expansion thermique") et dans le réseau d'eau de la résidence. La pression peut ainsi rapidement atteindre la valeur de déclenchement de la soupape de sûreté, ce qui entraîne un écoulement d'eau lors de chaque cycle de chauffage de l'eau. Ce phénomène d'expansion thermique de l'eau, qui entraîne des cycles d'expansion et de contraction rapides des composantes du chauffe-eau et du réseau d'eau, peut causer une défaillance prématurée de la soupape de sûreté ou même du chauffe-eau. Le remplacement de la soupape de sûreté ne permet pas de

Ce chauffe-eau doit être installé en conformité avec les présentes instructions, les codes d'installation locaux, les directives des fournisseurs de services publics, ou, en l'absence de codes locaux, en conformité avec la plus récente révision du National Fuel Gas Code aux États-Unis ou du "Code d'installation du gaz naturel et du propane", CSA-B149.1 au Canada. Une copie peut être achetée auprès de l'American Gas Association, 400N. Capitol Street NW, Washington, DC 20001; ANSI G223.1 ou National Fire Protection Association, 1 Batterymarch Park, Quincy, MA 02269 comme livret NFPA 54 pour les États-Unis ou auprès de la Canada Standards Association, 5060 Spectrum Way, Mississauga (Ontario) L4W5N6 pour le Canada.

Emplacement d'installation

⚠️AVERTISSEMENT:

De par leur nature volatile, les vapeurs inflammables peuvent se déplacer, à partir de leur lieu d'entreposage ou d'utilisation, sur une distance non négligeable. Les flammes nues provoquent au brûleur principal du chauffe-eau peuvent provoquer l'inflammation de ces vapeurs, ce qui peut entraîner la désactivation du chauffe-eau et donc empêcher son allumage. Un chauffe-eau au gaz certifié FVIR (résistant à l'allumage des vapeurs inflammables) peut directement être installé sur le plancher d'un garage résidentiel (sans plate-forme d'au moins 18 po (457 mm)), en conformité avec les exigences du Code d'installation du gaz naturel et du propane, CSA-B149.1 au Canada, ou autrement exigé par les codes provinciaux ou locaux applicables. Le chauffe-eau doit être installé dans un endroit où il ne risque pas d'être endommagé par des véhicules en mouvement ou qui est sujet aux inondations.

IMPORTANT: NE PAS installer ce chauffe-eau dans un lieu où la température ambiante pourrait dépasser 52°C (125°F).

- L'emplacement d'installation choisi doit permettre de minimiser la longueur des conduits d'apport d'air et d'évacuation, ainsi que le nombre de raccords des conduits d'apport d'air et d'évacuation.
- Lire la section Apport d'air et évacuation, qui présente les exigences d'installation du système de ventilation.
- Isoler les longues conduites d'eau chaude afin d'économiser l'eau et l'énergie.
- Le chauffe-eau et ses conduites d'eau doivent être protégés du gel.

- NE PAS installer ce chauffe-eau à l'extérieur.
- Dégagements minimum aux matières combustibles:

Avant	Côtés	Arrière	Haut
5 po	0 po	0 po	15 po
(127mm)	(0 cm)	(0 cm)	(305 mm)

Le té d'évacuation, situé à l'avant droit de l'appareil, nécessite un dégagement latéral supplémentaire d'environ 2,75 po.

AVIS:

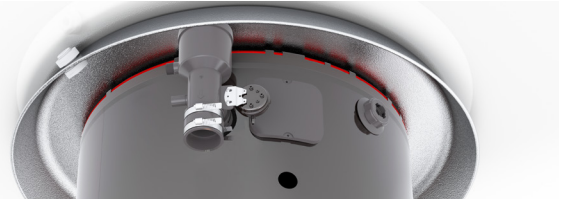
Prévoir un dégagement minimal de 38 mm (1-1/2 po) entre la soupape de sûreté T&P et un mur ou tout obstacle, afin de permettre son bon fonctionnement et de faciliter son entretien.

Le dégagement "Avant" est mesuré entre la chemise du chauffe-eau et la porte du placard.
Le dégagement "Haut" est mesuré entre la chemise du chauffe-eau et le plafond.

⚠️AVERTISSEMENT:

Il est possible de se procurer un ensemble de bac d'égouttement chez le fournisseur où le chauffe-eau a été acheté, ou chez tout autre distributeur de chauffe-eau. Assurez-vous que la surface de plancher sur laquelle repose le chauffe-eau possède une capacité portante lui permettant de soutenir le chauffe-eau rempli d'eau. Le chauffe-eau ou tout autre appareil au gaz ne doit jamais être installé dans un lieu où sont utilisés ou entreposés des liquides dégageant des vapeurs inflammables, p. ex.: essence, gaz propane (butane ou propane), peinture, adhésif, diluants, solvants ou décapants.

L'expression "structure combustible" se réfère au plafond et aux murs adjacents et non pas à des produits et matériaux inflammables se trouvant à proximité. N'entrez pas jamais de produits et matériaux combustibles à proximité de cet appareil ou de tout autre appareil au gaz.



BAC D'ÉGOUTTEMENT

Le chauffe-eau doit être positionné au centre du bac d'égouttement, comme illustré. Assurez-vous que l'extrémité du té d'évacuation/collecteur de condensation est orienté vers le bac d'égouttement. Le diamètre minimal recommandé du bac d'égouttement est de 710 mm (28 po) pour les modèles de 50 USG et de 810 mm (32 po) pour les modèles de 75 USG.

Lorsqu'il n'est pas possible de choisir un tel emplacement, il est recommandé d'installer sous l'appareil un bac d'égouttement approprié doté d'une capacité de drainage suffisante. Le bac d'égouttement DOIT être installé conformément aux codes locaux applicables.

Le chauffe-eau doit être positionné au centre du bac d'égouttement, comme illustré. Assurez-vous que l'extrémité du té d'évacuation/collecteur de condensation est orienté vers le bac d'égouttement.

Le diamètre minimal recommandé du bac d'égouttement est de 710 mm (28 po) pour les modèles de 50 USG et de 810 mm (32 po) pour les modèles de 75 USG.

DIAGRAMME DES COMPOSANTES (75 USG)

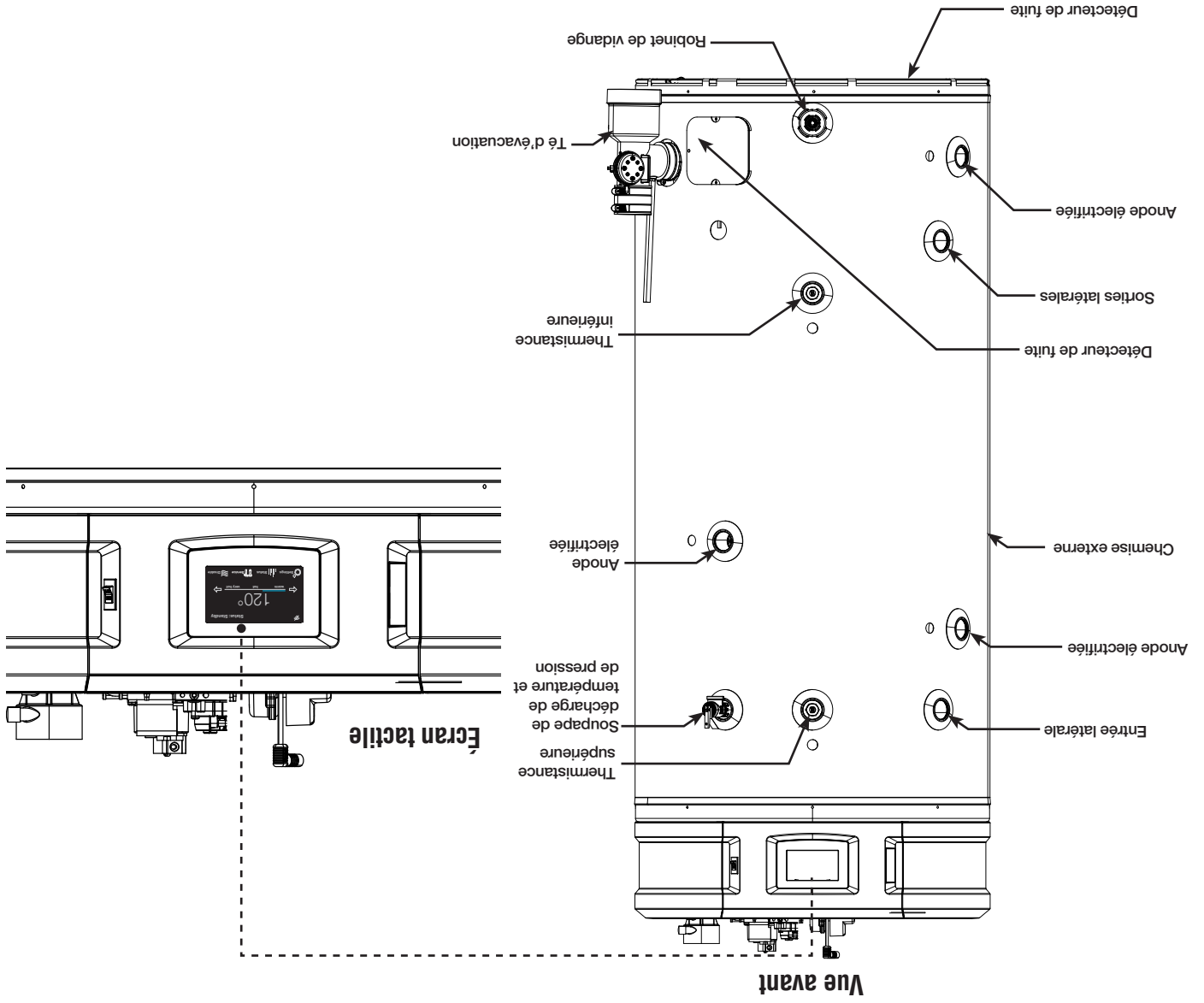
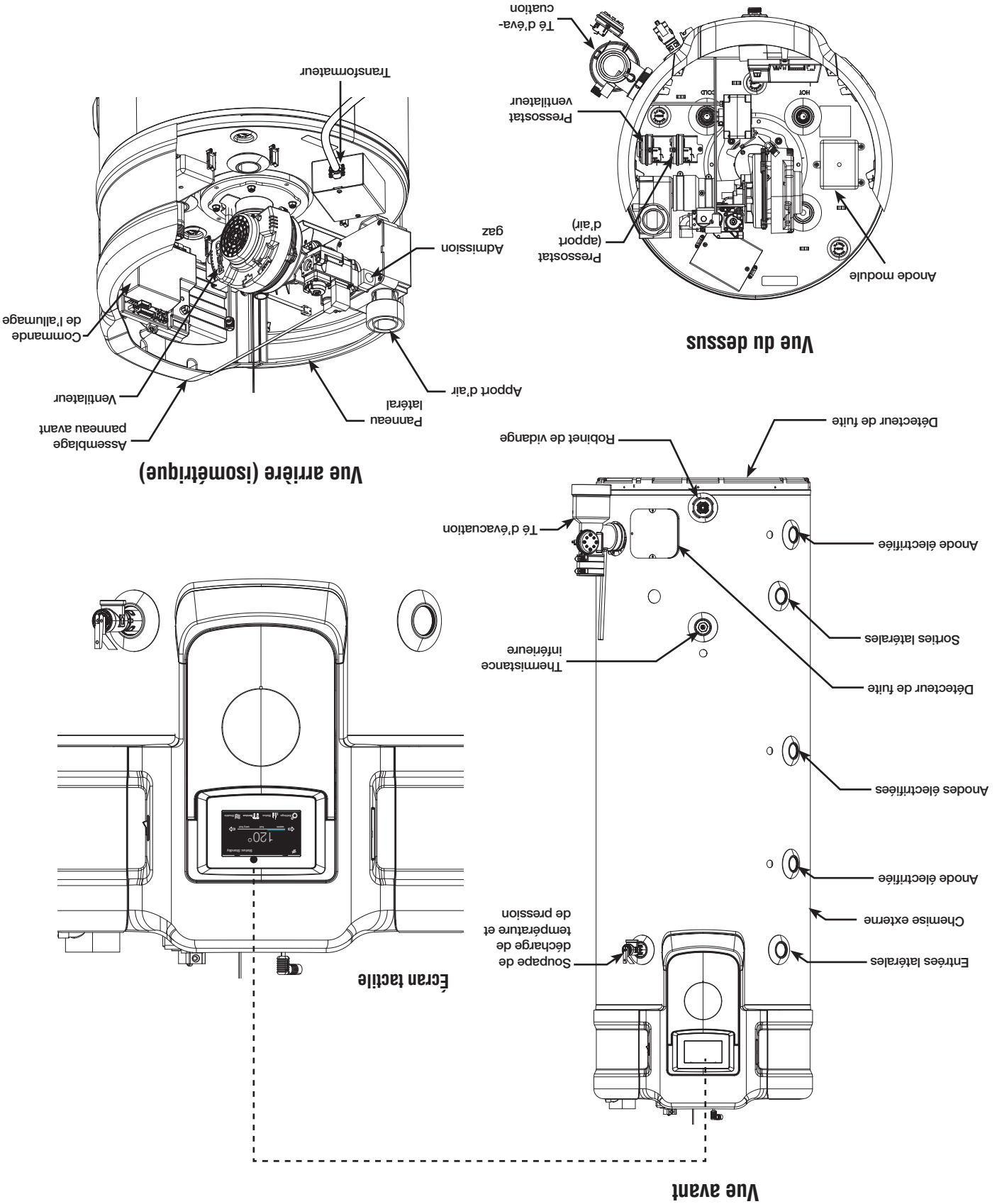


DIAGRAMME DES COMPOSANTES (50 USG)



ATTENTION:

- Étiquetez tous les fils avant de les déconnecter lors de travaux d'entretien. Des erreurs de reconnexion peuvent causer un fonctionnement dangereux ou erratique. Assurez-vous du bon fonctionnement du chauffe-eau à la suite de tout entretien.
- Pour votre sécurité, l'inspection et le nettoyage du brûleur devraient être uniquement effectués par un technicien qualifié.
- Assurez-vous de couper l'alimentation électrique du chauffe-eau avant de retirer son couvercle. Tout contact avec une pièce en mouvement ou sous tension peut entraîner de graves blessures.
- NE PAS tenter de corriger l'alimentation électrique ou en gaz, de réparer la commande du gaz, les brûleurs, les conduits de ventilation ou tout dispositif de sécurité. Faites plutôt appel à un technicien d'entretien qualifié.

INSTALLATION DANS L'ÉTAT DE LA CALIFORNIE

La loi californienne requiert que les tous les chauffe-eau commerciaux, neufs et de remplacement, soient contreventés, ancrés ou attachés de façon à éviter toute chute ou à empêcher tout déplacement horizontal lors d'un séisme. Au minimum, tout chauffe-eau doit être fixé conformément au California Plumbing Code ou aux modifications apportées à celui-ci par une ville ou un comté conformément à l'article 17958.5. Les instructions générales pour la Californie intitulées « Guidelines for Earthquake Bracing Commercial Water Heaters » peuvent être obtenues en:

- Écrivant au California Department of General Services, Division of State Architect, 1102 Q Street, Suite 5100, Sacramento, CA 95814
- Appellant au 916-445-8100
- Adresse Web suivante:
https://www.dgs.ca.gov/-/media/Divisions/DSA/Publications/gas_shutoff/waterheaterbracing

Inspectez le chauffe-eau à la réception

Inspectez attentivement le chauffe-eau avant d'entreprendre l'installation, afin de détecter un éventuel dommage. Portez une attention particulière au conduit d'apport d'air comburant, au té d'évacuation et à la soupape de sécurité. Si vous détectez des dommages, NE PAS installer ou tenter de réparer le chauffe-eau. Contactez le fabricant comme indiqué sous « OBTENIR DU SOUTIEN TECHNIQUE ».

AVERTISSEMENT:

Une substance odoriférante est ajoutée au gaz naturel et au propane afin de faciliter la détection d'une éventuelle fuite. Certaines personnes ne reconnaissent pas cette odeur ou leur odorat ne fonctionne pas. Si cette odeur typique du gaz naturel ou du propane ne vous est pas familière, veuillez consulter votre fournisseur de gaz. En certaines circonstances cette odeur peut perdre en intensité, ce qui ne lui permet pas d'indiquer la survenue d'une fuite de gaz.

DANGER:

Les chauffe-eau au propane et au gaz propane ne sont pas construits de la même façon. Ainsi, un chauffe-eau au gaz naturel alimenté au propane ne peut fonctionner de façon sécuritaire, et inversement. Ne tentez jamais de convertir un chauffe-eau au gaz naturel au propane, et inversement. Pour éviter tout éventuel dommage à l'équipement, toute blessure ou tout incendie: NE PAS alimenter ce chauffe-eau avec tout carburant autre que celui indiqué sur sa plaque signalétique. Alimenter les modèles au propane avec du propane, les modèles au gaz naturel avec du gaz naturel. Ces appareils ne sont pas certifiés avec aucun autre carburant.

AVERTISSEMENT:

Les appareils au propane ne peuvent être installés sous le niveau du sol (p. ex.: dans un sous-sol), si une telle installation est interdite par les autorités compétentes.

Sécurité relative à l'alimentation électrique

DANGER:

- Risque d'électrocution – Assurez-vous de couper l'alimentation électrique du chauffe-eau pour éviter une électrocution, ce qui peut entraîner de graves blessures ou la mort.

AVERTISSEMENTS:

- Pour votre sécurité, veuillez suivre les directives de ce manuel pour minimiser les risques d'incendie, d'explosion, d'électrocution, de dommages matériels, de blessures ou de décès.
- Les raccordements électriques et les mises à la masse doivent être conformes aux codes électriques locaux ou, en l'absence de codes locaux, en conformité avec, aux États-Unis, le National Electrical Code (ANSI/NFPA 70) ou au Canada, le Code canadien de l'électricité (CAN/CSA C22.1, première partie).

Assurez-vous de lire et de comprendre toutes les instructions du Manuel d'utilisation et d'entretien avant d'entreprendre l'installation ou d'utiliser ce chauffe-eau. Cela vous permettra d'économiser temps et argent. Portez une attention particulière aux instructions de sécurité. Le non-respect de ces avertissements peut entraîner de graves blessures ou la mort. Si vous avez de la difficulté à comprendre les instructions de ce manuel ou si vous avez des questions, ARRÊTEZ et obtenez l'aide d'un technicien d'entretien qualifié ou du distributeur de gaz local.

Matières inflammables: Sécurité relative au gaz naturel et au propane

⚠ DANGER:

MODELS AU PROPANE — Le gaz propane doit être utilisé avec une grande prudence.

- Comme ce gaz est plus lourd que l'air, il s'accumule dans les dépressions du sol et n'atteint pas rapidement les narines.

- Avant toute tentative d'allumage du chauffe-eau, inspectez-le et sentez aux alentours afin de détecter une éventuelle fuite de gaz. Effectuez un essai d'étanchéité de tous les raccords avec une solution savonneuse. La présence de bulles indique la présence d'une fuite; elle doit être colmatée.

- Lorsque vous humez pour détecter une fuite, assurez de vérifier au niveau du sol.

- Il est recommandé d'installer un détecteur de propane; veuillez l'installer en conformité avec les recommandations de son fabricant et la réglementation locale.

- Il est recommandé d'utiliser plus qu'une seule méthode pour détecter une éventuelle fuite de propane.

SI VOUS DÉTECTEZ OU SUSPECTEZ UNE FUITE DE GAZ PROPANE:

- NE PAS tenter d'en déterminer la cause vous-même;
- NE PAS mettre aucun appareil en marche dans le bâtiment;
- NE PAS actionner aucun interrupteur électrique;
- NE PAS utiliser aucun téléphone dans votre bâtiment.

- Quittez immédiatement le bâtiment, évacuez votre famille et vos animaux.

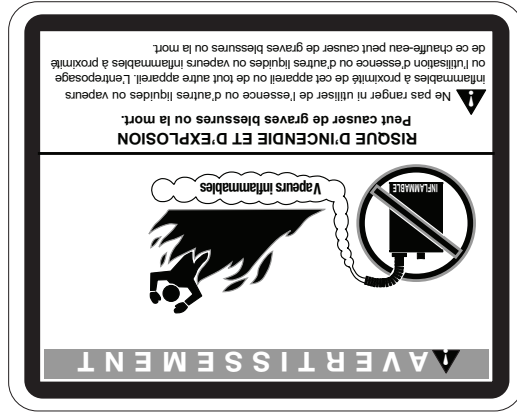
- Laissez les portes ouvertes pour ventiler les lieux et joignez le fournisseur de gaz, un centre de service agréé ou le service des incendies.

- Ne retournez pas à l'intérieur du bâtiment avant que la réparation ait été effectuée, la fuite colmatée et qu'une personne compétente ait établi que les lieux sont sécuritaires.

Assurez-vous de lire et de comprendre toutes les instructions du Manuel d'utilisation et d'entretien avant d'entreprendre l'installation ou d'utiliser ce chauffe-eau. Cela vous permettra d'économiser temps et argent. Portez une attention particulière aux instructions de sécurité. Le non-respect de ces avertissements peut entraîner de graves blessures ou la mort. Si vous avez de la difficulté à comprendre les instructions de ce manuel ou si vous avez des questions, ARRÊTEZ et obtenez l'aide d'un technicien d'entretien qualifié ou du distributeur de gaz local.

⚠ AVERTISSEMENT:

La manutention d'essence ou de tout autre produit ou liquide inflammable (adhésifs, solvants, diluants, etc.), ou leurs dégagements de vapeurs inflammables sont extrêmement dangereux. NE PAS utiliser ou entreposer d'essence ni aucune autre matière inflammable ou combustible à proximité d'un chauffe-eau ou de tout autre appareil. Veuillez lire et respecter les messages d'avertissement contenus ci-dessous dans le présent manuel et ceux des étiquettes apposées sur le chauffe-eau. Le non-respect de cette directive peut entraîner des dommages matériels, de graves blessures ou la mort.



Ventilation: ⚠ DANGER:

Le défaut de ventiler le chauffe-eau à l'extérieur du bâtiment comme indiqué dans la section "Apport d'air et évacuation" du présent manuel peut entraîner son fonctionnement non sécuritaire. Afin d'éviter les risques d'incendie, d'explosion ou d'asphyxie des occupants au monoxyde de carbone, ne faites jamais fonctionner le chauffe-eau s'il n'est pas correctement ventilé et s'il ne dispose pas d'un apport d'air adéquat assurant son bon fonctionnement. Inspectez les conduits d'apport d'air et d'évacuation afin de vérifier leur bonne installation, lors de la mise en service et périodiquement par la suite. Reportez-vous à la section "Entretien" du présent manuel pour plus d'information relative à l'inspection du système de ventilation.

PRÉCAUTIONS GÉNÉRALES DE SÉCURITÉ

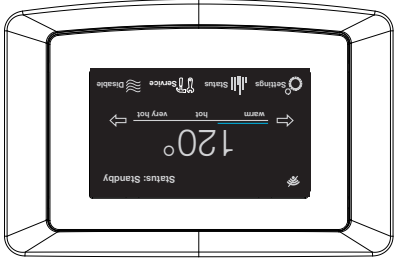
Le tableau qui suit présente la relation entre la température de l'eau chaude et la durée d'exposition pour produire un ébouillantage; veuillez vous y référer pour sélectionner la température de consigne sécuritaire de votre application.

ÉBOUILLANTAGE EN FONCTION DE LA DURÉE D'EXPOSITION ET DE LA TEMPÉRATURE

Température de l'eau	Durée produisant une brûlure grave
49°C (120°F)	Plus de 5 minutes
52°C (125°F)	1,5 à 2 minutes
54°C (130°F)	Environ 30 secondes
57°C (135°F)	Environ 10 secondes
60°C (140°F)	Moins de 5 secondes
63°C (145°F)	Moins de 3 secondes
66°C (150°F)	Environ 1,5 seconde
68°C (155°F)	Environ 1 seconde

Tableau avec l'aimable autorisation du Shriners Burn Institute

La température de consigne de l'eau dans le réservoir du chauffe-eau peut être changée par la modification du réglage affichée à l'écran (voir section « Interface-utilisateur »). Afin de respecter la réglementation de sécurité en vigueur, la température de consigne du chauffe-eau est réglée à sa plus basse valeur en usine. Les illustrations de la section « Interface-utilisateur » présentent l'afficheur et les instructions de modification de la température de consigne.



Voir section « Interface-utilisateur » pour les instructions de réglage de la température.

⚠ DANGER:

La sélection d'une température plus élevée augmente les risques d'ÉBOUILLANTAGE.

AVIS:

Il est recommandé d'installer une vanne thermostatique qui réduit la température de l'eau dans le système de distribution d'eau en entier, par l'ajout d'eau froide à la canalisation principale d'eau chaude. Il est recommandé d'installer une vanne thermostatique conforme à la norme «Standard for Temperature Actuated Mixing Valves for Hot Water Distribution Systems, ASSE 1017». Voir Racords licencé ou l'autorité compétente locale en matière de plomberie pour obtenir plus de détails.

Afin de satisfaire aux applications commerciales, la température de consigne de ce chauffe-eau est réglable jusqu'à 85°C (185°F). Toutefois, de l'eau chauffée à plus de 52°C (125°F) peut instantanément causer de graves brûlures ou la mort par ébouillantage. Il est suggéré de régler l'appareil à cette température dans les applications générales de chauffage de l'eau.

La sécurité des utilisateurs et l'économie d'énergie sont les deux principaux facteurs à considérer lors de la sélection de la température de consigne. Le réglage de température le plus économique est le plus bas permettant de répondre aux besoins de l'application.

⚠ DANGER

De l'eau chauffée à plus de 125°F (52°C) peut instantanément causer de graves brûlures ou la mort par ébouillantage. Les enfants, les personnes âgées et les personnes handicapées présentent un risque plus élevé d'ébouillantage. Veuillez consulter le manuel d'instructions avant de régler la température du chauffe-eau. Vérifiez la température de l'eau avant de prendre un bain ou une douche. Il existe des robinets qui permettent de limiter la température de l'eau chaude. Consultez le manuel.

La température la plus élevée dans le réservoir est atteinte au moment de l'arrêt du brûleur. Pour découvrir la température de l'eau chaude générée, ouvrez un robinet d'eau chaude et immergez un thermostat dans le jet d'eau chaude.

TABLE DES MATIÈRES

Précautions générales de sécurité	2-5
Information produit	
Diagramme des composantes	6
Installation	
Emplacement d'installation	8
Expansion thermique	9
Raccords d'eau	9
Remplissage du chauffe-eau	8
Alimentation en gaz	9
Essai d'étanchéité	10
Condensation	10
Haute altitude	11
Alimentation électrique	11
Installation-type	12
Schéma de plomberie, chauffage des locaux	13
Apport d'air et évacuation	14 - 33
Liste de vérification	34
Utilisation	
Instructions d'allumage	35
Précautions de sécurité	36

LISEZ LES DIRECTIVES DE SÉCURITÉ

Interface-utilisateur	
Mise en service	37
Réglage de la température	37
Programmation de l'horaire	38
Réglages heure/date	38
Statut Wi-Fi	39
Alarmes et alertes d'entretien	40
Entretien	
Entretien périodique préventif	41
Utilisation saisonnière	41
Système de ventilation	41
Avant d'appeler un réparateur	
Guide de dépannage	42-43
Codes d'erreur	44-50
Pièces de rechange	
Instructions pour la commande de pièces de rechange	51-52
Schémas électriques	53
Obtenir du soutien technique	56

Votre sécurité et celle de votre entourage sont très importantes. Le présent manuel et des autocollants apposés sur votre appareil fournissent plusieurs importants messages de sécurité. Lisez et suivez toujours tous les messages de sécurité.



Ceci est le symbole d'avertissement du danger.

Portez attention à ce symbole, il précède d'importantes informations

de sécurité! Ce symbole vous alerte à propos de dangers pouvant entraîner des blessures ou

ou la mort.

Tous les messages de sécurité sont précédés du symbole d'avertissement du danger ou des mots « DANGER », « AVERTISSEMENT », « ATTENTION » ou « AVIS ».

Ces mots ont la signification suivante:

▲ DANGER:

Signale un danger imminent pouvant entraîner de graves blessures ou la mort.

▲ AVERTISSEMENT:

Signale une situation potentiellement dangereuse pouvant entraîner des dommages matériels, de graves blessures ou la mort.

▲ ATTENTION:

Signale une situation potentiellement dangereuse pouvant entraîner des blessures mineures ou modérées.

AVIS:

Attire votre attention sur l'importance de suivre la procédure présentée ou de s'assurer du maintien d'une condition précise.

POUR VOS DOSSIERS:

Veuillez inscrire les n° de modèle et de série ci-dessous:

Ces numéros sont sur une étiquette apposée sur l'appareil.

Brochez la facture ou le reçu d'achat ici.

Il est obligatoire de présenter l'original de la preuve d'achat pour obtenir du service au titre de la garantie.

CHAUFFE-EAU COMMERCIAUX À HAUTE EFFICACITÉ MANUEL D'UTILISATION ET D'ENTRETIEN



▲ NE PAS jeter ce manuel. Veuillez le lire attentivement et le conserver pour référence ultérieure.

▲ AVERTISSEMENT
Tout manquement aux présentes instructions peut causer un incendie ou une explosion entraînant des dommages matériels, des blessures ou la mort.

▲ POUR VOTRE SÉCURITÉ!
NE PAS entreposer ou utiliser de l'essence ni d'autres liquides inflammables ou dégageant des vapeurs inflammables à proximité de cet appareil ni de tout autre appareil. Le non-respect de cette directive peut causer un incendie ou une explosion.

-SI VOUS DÉTECTEZ UNE ODEUR DE GAZ

- **NE METTEZ AUCUN** appareil en marche.
- **N'ACTIONNEZ AUCUN** interrupteur électrique.
- **N'UTILISEZ PAS** de téléphone dans votre maison.
- Appelez immédiatement votre fournisseur de gaz de chez un voisin et suivez les directives du fournisseur de gaz.
- Si vous ne pouvez communiquer avec votre fournisseur de gaz, appelez le Service des incendies.
- **NE RETOURNEZ PAS** dans votre logement sans l'autorisation du distributeur de gaz ou du service des incendies.

- REPORTEZ-VOUS TOUJOURS AU PRÉSENT MANUEL

- L'installation et la réparation de cet appareil doivent être effectuées par un installateur qualifié, un centre de service licencié ou le fournisseur de service du gaz.