

EZ-RACK™ KIT • RTG20304

For use with all Rheem Tankless Water Heaters INSTALLATION GUIDE

IMPORTANT SAFETY INFORMATION

READ THIS SAFETY INFORMATION

Your safety and the safety of others are very important. There are many important safety messages in this manual and on your appliance. Always read and obey all safety messages.

Any cases of damage or malfunction due to improper installation will be the responsibility of the installer regardless of warranty coverage.

Please refer to the Use and Care Manual included with the water heater for additional information to complete the installation.

WARNING

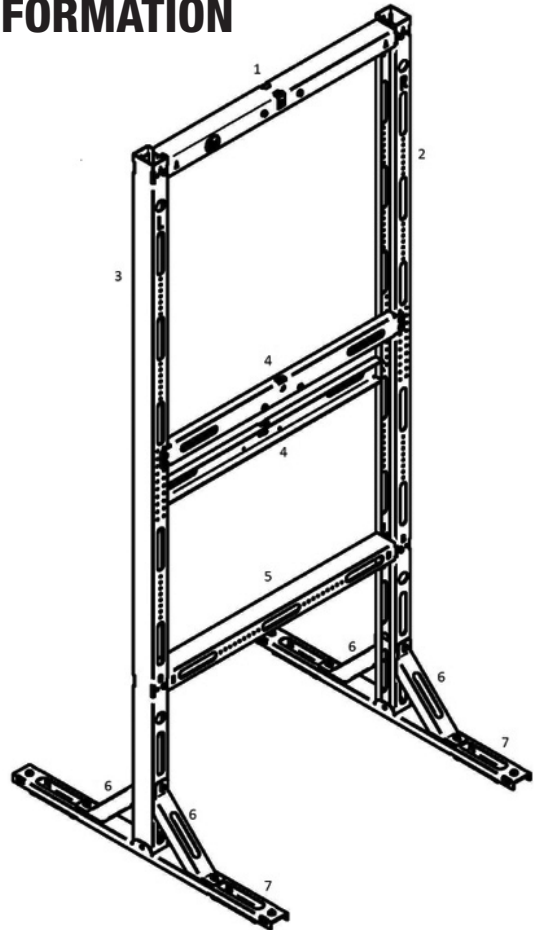
- If the information in the Use and Care Manual is not followed exactly, a fire or explosion may occur and potentially cause property damage, personal injury, or death.
- For all applications, you **MUST** secure the EZ-Rack™ Kit to the ground/wall before attaching a tankless water heater. Use 3/8" bolts or greater to fix the frame to the ground/wall (not included).

INSTALLATION CONSIDERATIONS

Refer to the Use and Care manual of the Tankless Hot Water heater while determining a location

REQUIRED TOOLS

- 5/32" Allen Wrench (or drill bit optional)
- 5/16" Hex Socket Wrench (or drill bit optional)
- Drill (optional)



INCLUDED PARTS

(see attached drawing for locations)

- 1 Rack Top Cross Beam x 1
- 2 Right Tall Support x 1
- 3 Left Tall Support x 1
- 4 Tankless Base Mount x 2
- 5 Rack Internal Cross Beam x 1
- 6 Angle Support x 4
- 7 Free Standing Base/Wall Mounts x 2



1/4-20 Stainless Steel Button Head Screw x 16

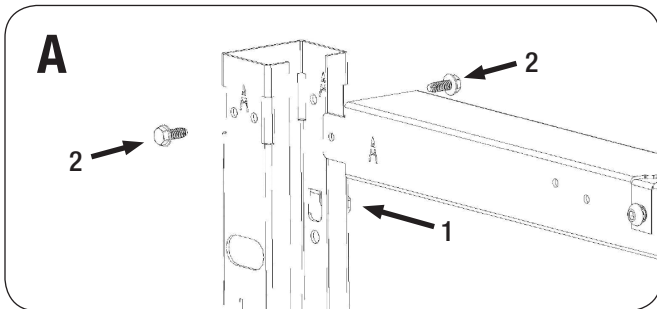


#10-32 Stainless Steel Hex Washer Head Screw x 26

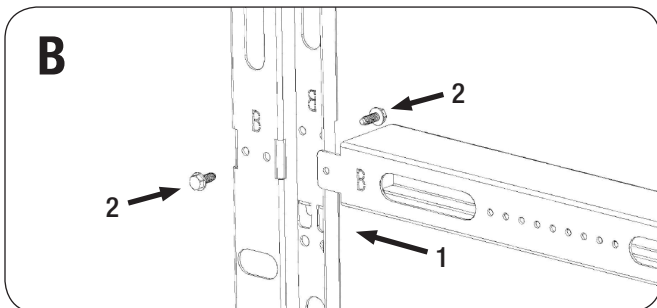
Extra screws included. Anchor Bolts to secure EZ-Rack™ to the ground/wall not included.

INSTALLATION INSTRUCTIONS – FREE STANDING

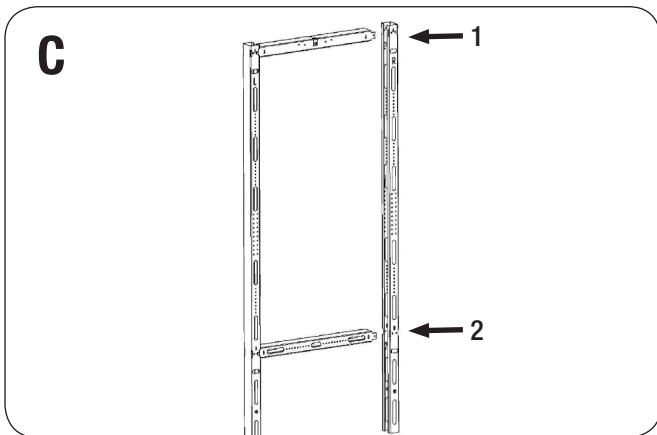
Do not attempt to overtighten any of the bolts as this may damage the threads and prevent the bolt from turning.



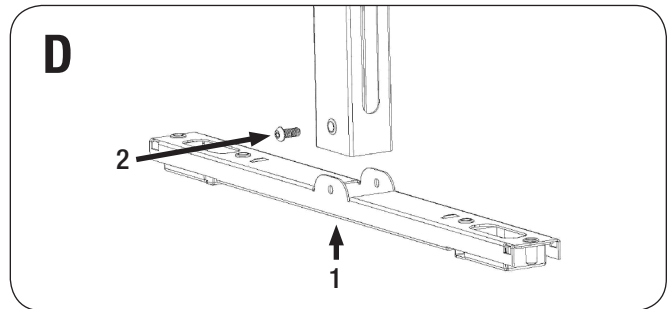
Step 1: Insert Top Bar tabs into Left upright
Step 2: Screw in self tapping fasteners on each side to secure



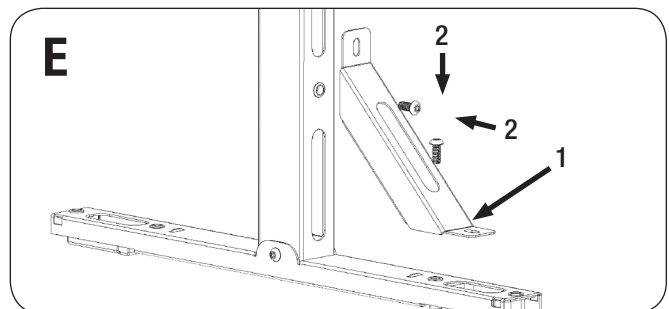
Step 1: Insert Bottom Bar tabs into Left upright
Step 2: Screw in self tapping fasteners on each side to secure



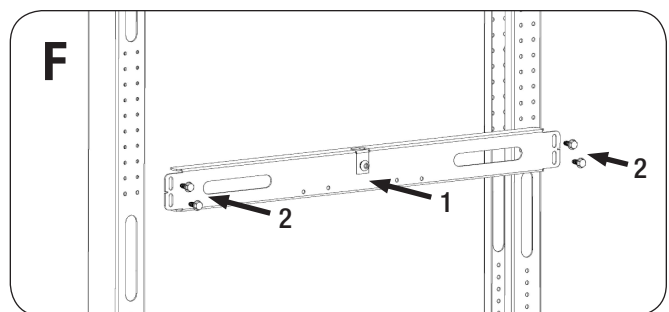
Step 1: Insert Top Bar tabs into Right upright
Step 2: Insert Bottom Bar tabs into Right upright
Screw in self tapping fasteners on each side to secure



Step 1: Insert upright into leg
Step 2: Screw in 1/4-20 fastener to secure
Follow same steps for second upright



Step 1: Align Angle Bracket to leg and upright
Step 2: Screw in 1/4-20 fasteners to secure
Follow same steps for the remainder angle brackets
Note: for each upright and leg assembly you will require 2 angle brackets



Step 1: Place Cross Bar against the uprights according to the size of the heater you are installing
Step 2: Screw in self tapping fasteners two on each side to secure

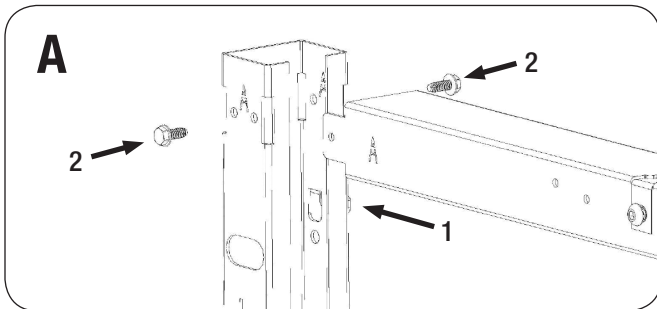
⚠ CAUTION!

Confirm that the rack system remains flat and secure to the ground before any units are mounted. To prevent the rack from falling over and possibly causing injury, use field-supplied anchor bolts to secure the rack base to the floor.

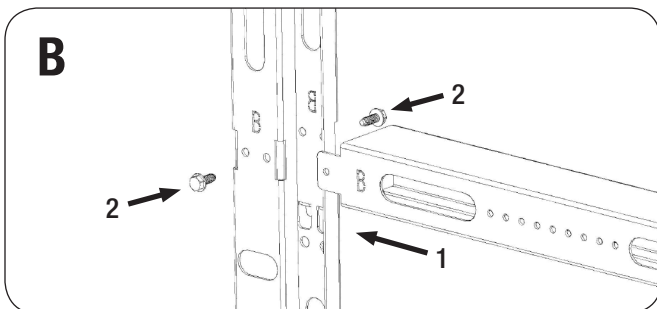
Once the EZ-Rack™ Kit is fully assembled and secured follow the instructions in the “Use and Care Manual” for mounting the Tankless Unit(s)

INSTALLATION INSTRUCTIONS – WALL MOUNT

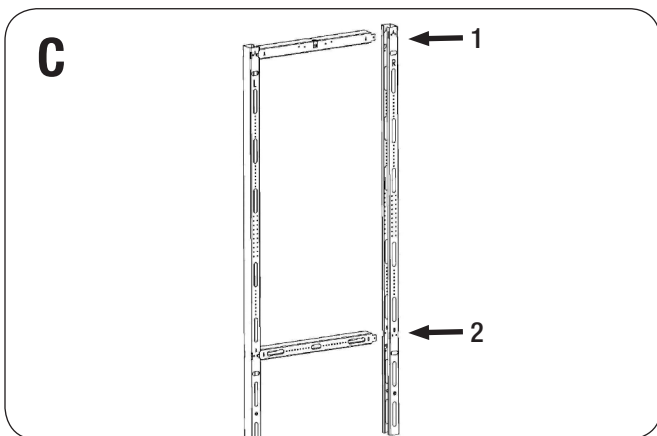
Do not attempt to overtighten any of the bolts as this may damage the threads and prevent the bolt from turning.



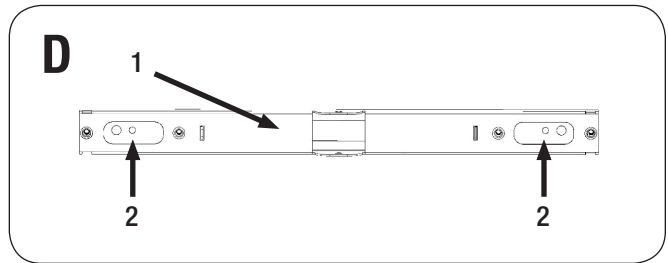
Step 1: Insert Top Bar tabs into Left upright
Step 2: Screw in self tapping fasteners on each side to secure



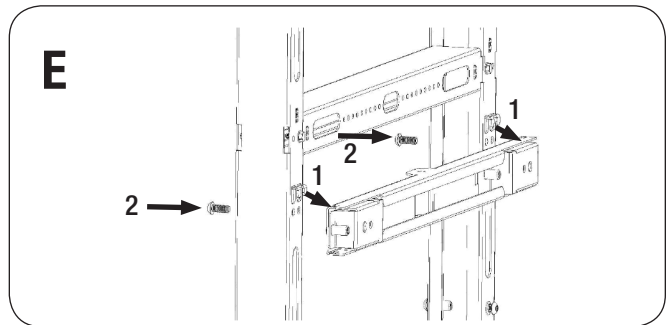
Step 1: Insert Bottom Bar tabs into Left upright
Step 2: Screw in self tapping fasteners on each side to secure



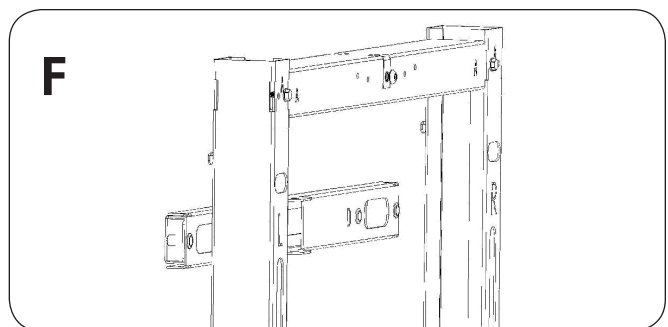
Step 1: Insert Top Bar tabs into Right upright
Step 2: Insert Bottom Bar tabs into Right upright
Screw in self tapping fasteners on each side to secure



Step 1: Position leg on the wall as shown – the top of the bracket is 1 inch below the top of the heater.
Step 2: Holes have been provide at 16 inch centers – secure with your engineered anchors



Step 1: Hook the second leg into the back of the frame below B
Step 2: Screw in ¼-20 fasteners to secure



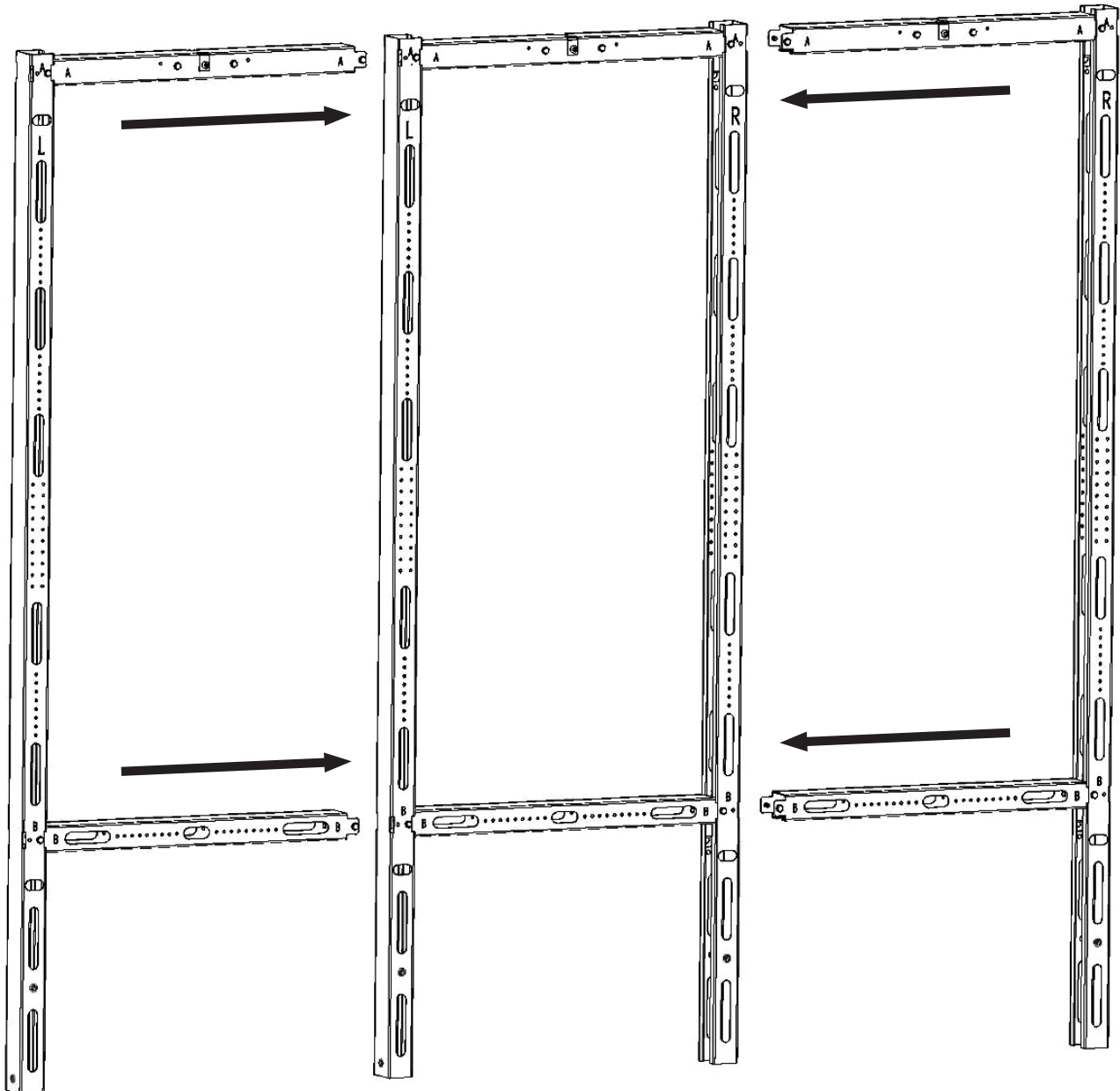
Step 1: Hook the frame onto the leg on the wall and secure using ¼-20 fasteners
Step 2: Secure the bottom leg onto the wall using your engineered fasteners

⚠ CAUTION!

Confirm that the rack system remains flat and secure to the wall before any units are mounted. To prevent the rack from falling and possibly causing injury, use field-supplied anchor bolts to secure the rack base to the wall. Refer to Tankless Water Heater “Use and Care Manual” for location requirements.

Once the EZ-Rack™ Kit is fully assembled and secured follow the instructions in the “Use and Care Manual” for mounting the Tankless Unit(s)

INSTALLATION INSTRUCTIONS – SIDE TO SIDE EXPANSION



Units may be expanded by purchasing additional EZ-Rack™ Kits and adding to the left or right side by repeating steps A, B, and C. In this case not all parts will be used. For additional free standing base or wall mounts, repeat steps D, E, and F from corresponding page.

⚠ CAUTION!

Confirm that the rack system remains flat and secure to the ground before any units are mounted. To prevent the rack from falling over and possibly causing injury, use field-supplied anchor bolts to secure the rack base to the floor.

Once the EZ-Rack™ Kit is fully assembled and secured follow the instructions in the “Use and Care Manual” for mounting the Tankless Unit(s)