



Boilers

Rheem® FT™ Series Super High Efficiency Condensing Combi Boiler

Key Features

- Intuitive touchscreen display – Controls setup, maintenance and troubleshooting
- 4-Zone control – Manages up to 4 heating zones with individual temperature settings, no external controllers needed
- Factory installed boiler pump – Saves installation time and costs
- 95% AFUE and ENERGY STAR® certified for super high efficiency
- Durable design – ASME-rated 439 stainless steel fire tube heat exchanger
- Dual functionality – Delivers both space heating and domestic hot water
- Combi block manages flow between space heating and domestic hot water
- Brazed plate heat exchanger – Transfers heat from the boiler to domestic hot water within the combi block
- 4 universal shared platform parts – fan, gas valve, diverting valve, integrated pump are shared across multiple models for streamlined maintenance
- Cascade capability – Connect up to 4 units for increased capacity
- 10:1 turndown ratio delivers precise heating control
- Extended venting lengths up to 50 feet (2") and 170 feet (3")
- Flexible venting materials – Compatible with PVC, CPVC, and PP
- Outdoor reset control automatically adjusts water temperature based on outdoor conditions
- Moisture-Free Zone (MFZ) Technology protects components from corrosion
- Advanced safety features – CSA/UL approved low water cutoff and manual reset high limit

Warranty

- 15-Year Heat Exchanger, 5-Year Parts, 1-Year Labor



RCBH-FT150
RCBH-FT199



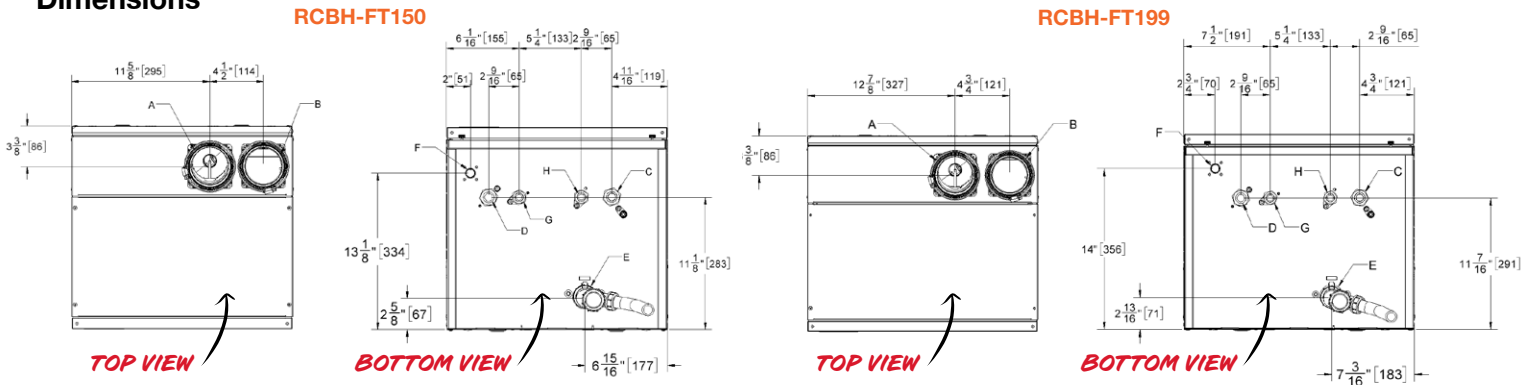
Specifications

MODEL NO.	RCBH-FT150	RCBH-FT199
CSA Input (Nat. Gas or Propane) - MBH	15-150	20-199
CSA Input (Nat. Gas or Propane) - kW	4.4-44	5.9-58.3
CSA Output - MBH	14.3-138.5	19.1-183.7
CSA Output - kW	4.2-40.6	5.6-53.8
DHW - CSA Input (Nat. Gas or Propane) - MBH	15-150	20-199
DHW - CSA Input (Nat. Gas or Propane) - kW	4.4-44	5.9-58.3
AFUE	95%	95%
Min. Gas Supply Pressure (Nat. Gas or Propane) - Inch w.c.	4	4
Max. Gas Supply Pressure (Nat. Gas or Propane) - Inch w.c.	14	14
Ambient Temperature - Low	32°F/0°C	32°F/0°C
Ambient Temperature - High	122°F/50°C	122°F/50°C
Max. Relative Humidity (Non-Condensing)	90%	90%
Min. Water Temperature	34°F/1°C	34°F/1°C
Max. Water Temperature (Electronic Hi-Limit)	190°F/88°C	190°F/88°C
Max. ΔT - Supply/Return (Electronic Fence)	40°F/22.2°C	40°F/22.2°C
Max. Water Temperature Lockout Limit	201°F/94°C	201°F/94°C
Power Use (120 Vac/60 Hz) @ Full Fire - Watts (w/ pump)	94.8	106.9
Weight (Empty) - lbs/Kg	100/45.4	113/51.3
Pressure Vessel Water Content - USG/Liters	2.79/10.56	3.51/13.29
Max. Boiler Flow Rate - US gpm	19	25
Min. Boiler Flow Rate - US gpm	3	4
Max. Boiler Operating Water Pressure* - psig	50	50
Min. Boiler Water Pressure - psig	8	8
Max. DHW Water Pressure - psig	150	150
Min. DHW Water Pressure - psig	40	40
DHW Delivery at 70°F/39°C Temperature Rise - US gpm	4.1	5.5
Relief Valve Pressure (Supplied) - psig	30	30
Approved Installation Altitude - ASL	0-12,000'	0-12,000'
Venting 2"	50'	N/A
Venting 3"	170'	100'
Ultra Low NOx	Meets 14 ng/J NOx requirements – SCAQMD Rule 1146.2 compliant	



Boilers

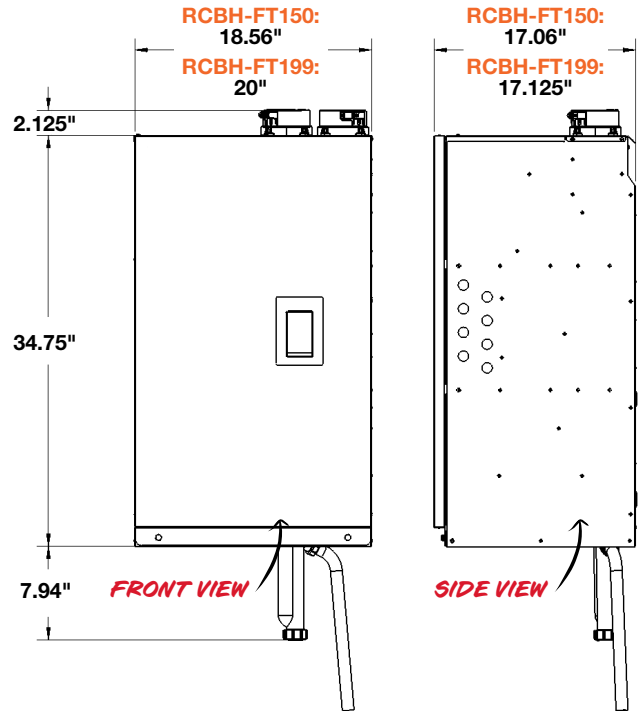
Dimensions



Specifications

PIPING CONNECTIONS		
MODEL NO.	RCBH-FT150	RCBH-FT199
A	Flue Outlet	3" PVC/CPVC or PP (80mm)
B	Combustion Air Inlet	3" PVC/CPVC or PP (80mm)
C	Return Water Inlet (Tepid)	1" NPT-M
D	Supply Water Outlet (Hot)	1" NPT-M
E	Condensate Outlet	3/4" Hose
F	Gas Inlet	1/2" NPT-F
G	DHW Outlet (Hot Water)	3/4" NPT-M
H	DHW Inlet (Cold Water)	3/4" NPT-M

CLEARANCE FROM BOILER CABINET		
SURFACE	MIN. DISTANCE FROM COMBUSTIBLE SURFACES	RECOMMENDED DISTANCE FOR INSTALLATION AND SERVICE
Front	2"	24"
Rear Flue Connection	0"	0"
Left Side	0"	4" (allow access to water connections)
Right Side	1"	4" (allow access to water connections)
Top	2"	6" (for vent connection)
Bottom	0" (clearance for pipes)	12" (for condensate trap and piping)



Accessories

FLOOR STAND	PARTS KIT
Part No. P-267	Part No. P-1632

In keeping with its policy of continuous progress and product improvement, Rheem reserves the right to make changes without notice.

Rheem Water Heating • 1115 Northmeadow Parkway, Suite 100
Roswell, Georgia 30076 • www.Rheem.com

Rheem Canada Ltd./Ltée • 125 Edgeware Road, Unit 1
Brampton, Ontario L6Y 0P5 • www.Rheem.ca