

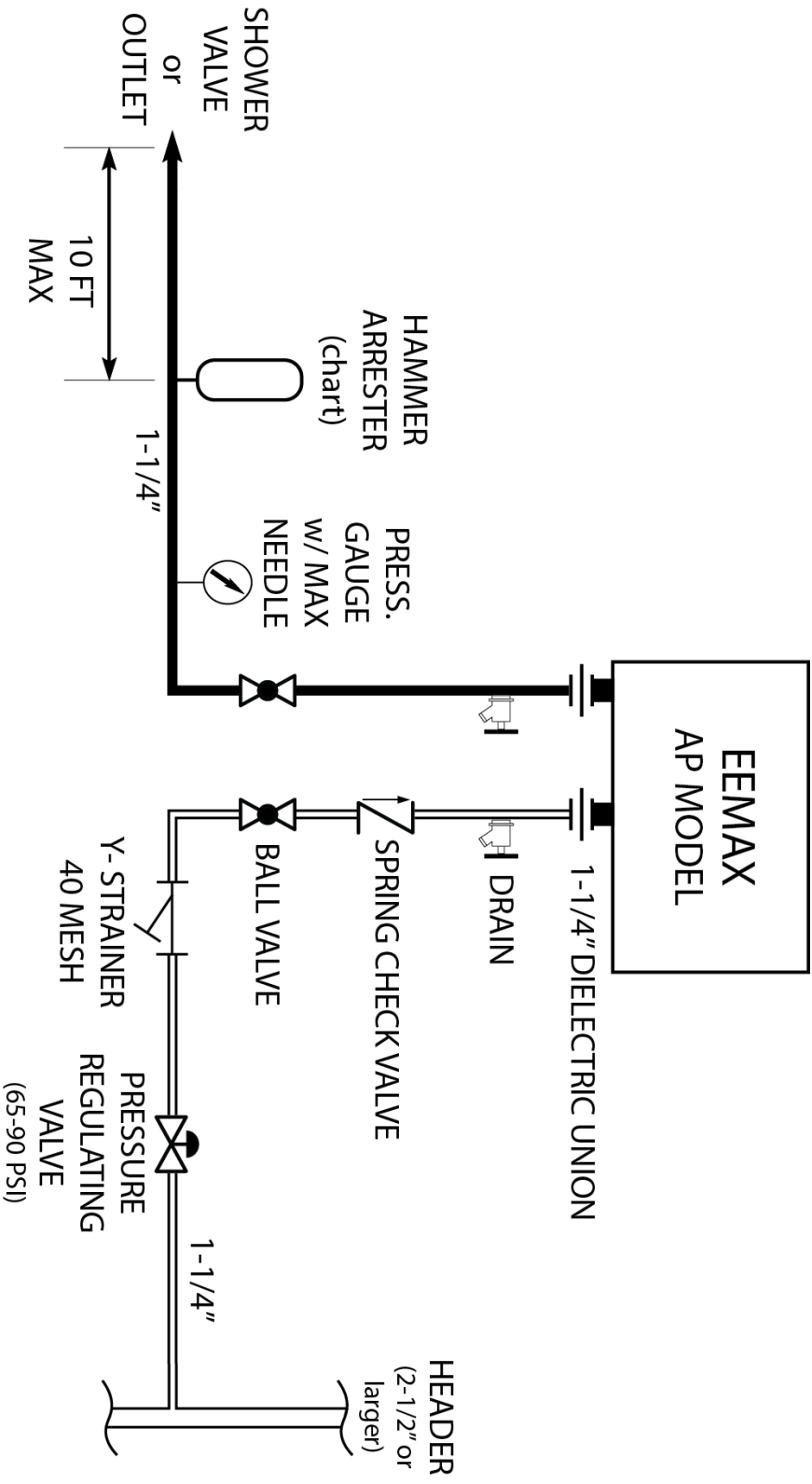


**INSTALLATION, OPERATION, AND
MAINTENANCE MANUAL FOR ELECTRIC TANKLESS WATER HEATERS**

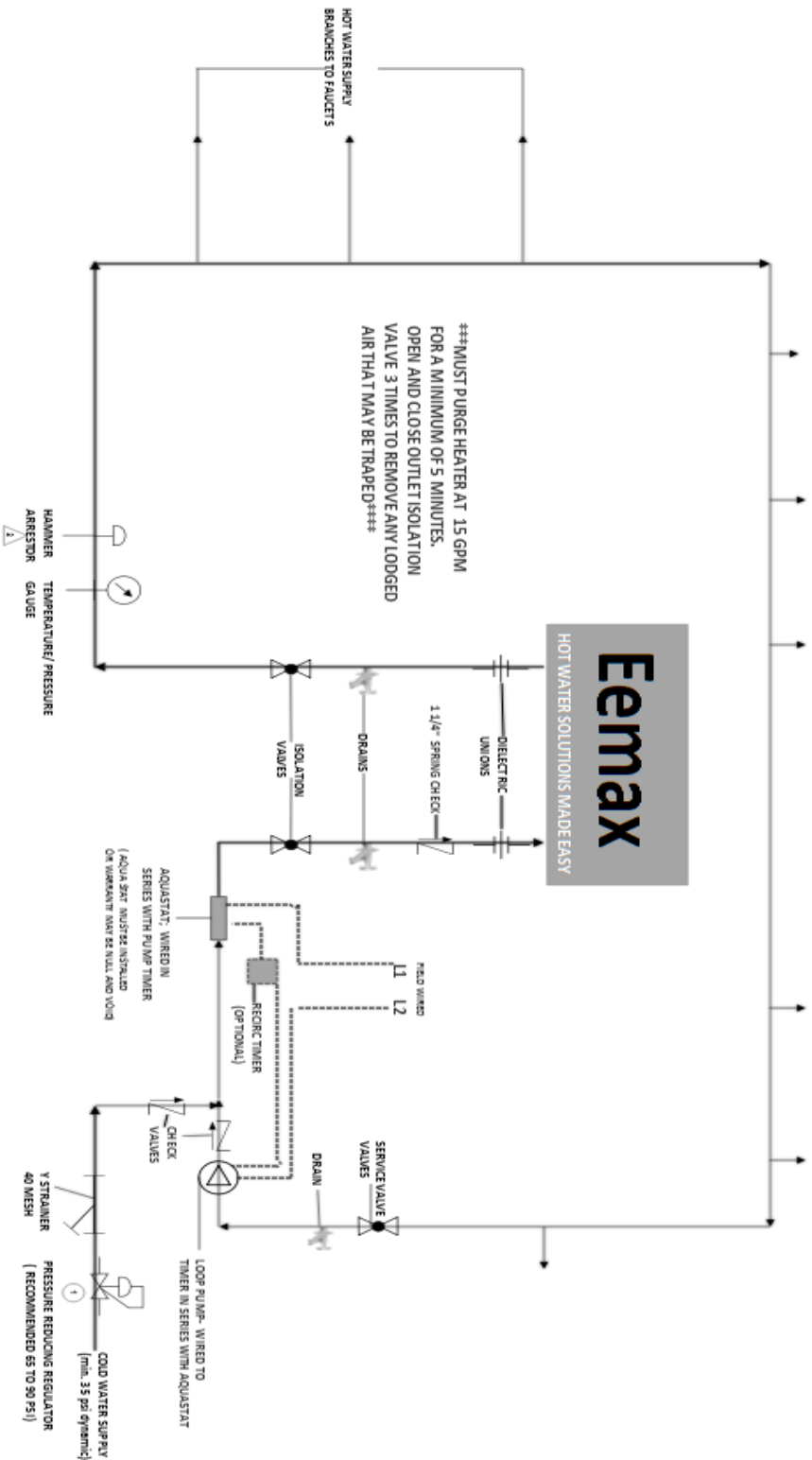
SPECADVANTAGE | SAFE ADVANTAGE



TYPICAL SAFETY SHOWER OR POINT OF USE INSTALLATION



SINGLE IN RECIRCULATION LOOP



NOTES:

- 1 CHECK LOCAL CODES
 - 2 WATER HAMMER ARRESTOR MUST BE INSTALLED IN ACCORDANCE WITH MANUFACTURER'S INSTRUCTIONS FOR PROPER LOCATION AND SIZING
 - 3 AQUASTAT VALVES RECOMMENDED TO PREVENT POSSIBLE DAMAGE DUE TO WATER HAMMER
- RELIEF VALVE NOT REQUIRED ON 4P HEATERS - REFER TO STATE AND LOCAL CODES
- CHECK VALVE MUST BE INSTALLED IN OUTLET PORT OF HEATERS TO BE LOCATED ABOVE FIXTURES
- DEPEND ON LOOP LENGTH AND SIZE MULTIPLE AQUASTATS MAY BE NEEDED IN SYSTEM. ALL AQUASTATS WIRED IN PARALLEL WITH CIRCULATION TIMER

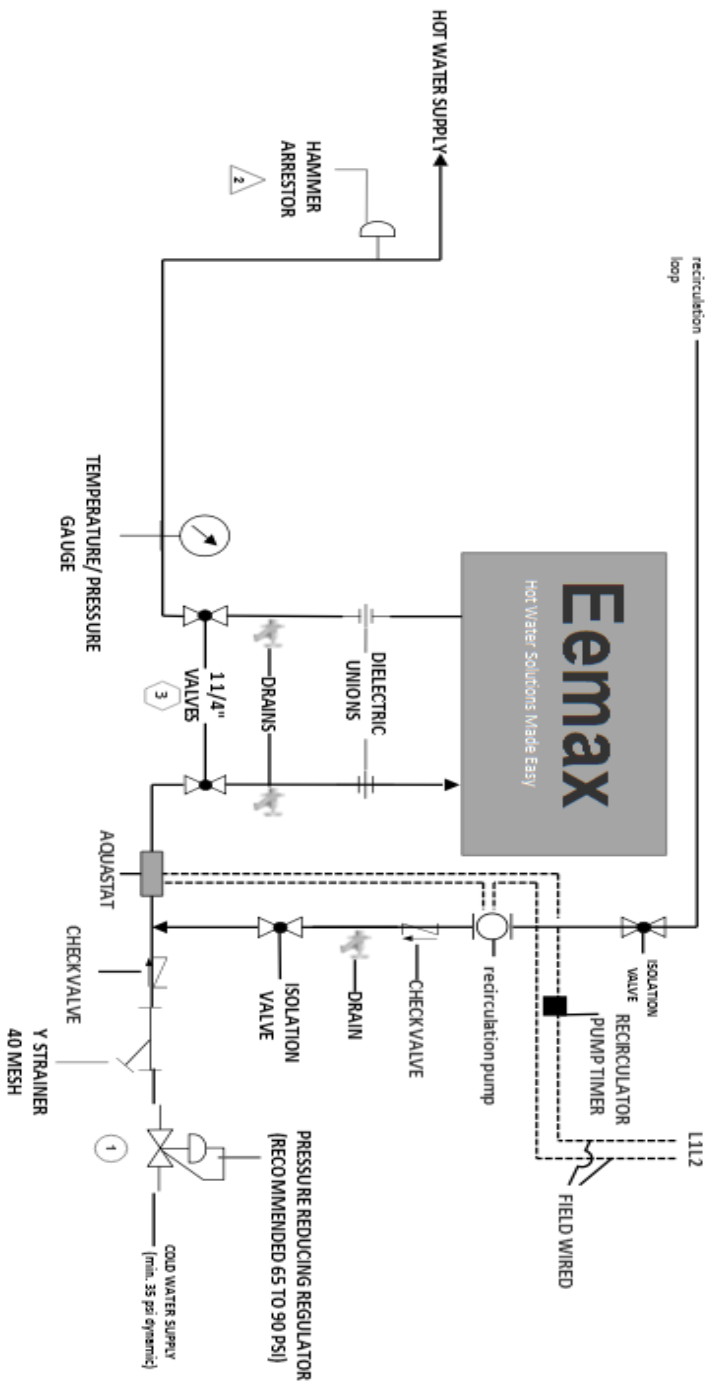
Eemax

SINGLE IN RECIRCULATION LOOP

THIS IS NOT AN ENGINEERING DRAWING; IT IS INTENDED ONLY AS A GUIDE AND NOT AS A REPLACEMENT FOR PROFESSIONAL ENGINEERING PROJECT DRAWINGS. THIS DRAWING IS NOT INTENDED TO DESCRIBE A COMPLETE SYSTEM. IT IS UP TO THE CONTRACTOR OR ENGINEER TO DETERMINE THE NECESSARY COMPONENTS AND CONFIGURATION OF THE PARTICULAR SYSTEM TO BE INSTALLED. THE DRAWING DOES NOT IMPLY COMPLIANCE WITH LOCAL BUILDING CODE REQUIREMENTS. IT IS THE RESPONSIBILITY OF THE ENGINEER OR CONTRACTOR TO ENSURE THAT THE INSTALLATION IS IN ACCORDANCE WITH ALL LOCAL BUILDING CODES. CONFERENCE WITH LOCAL BUILDING OFFICIALS BEFORE INSTALLATION.

400 CAPTAIN NEVILLE DR.
 WATER BURY, CT. 06075
 1-800-543-6163
 Eemax.support@eemax.com

RECIRCULATION LOOP THROUGH HEATER OPTION 1



*****MUST PURGE WATER HEATER FOR A MINIMUM OF 5 MINUTES AT A MINIMUM OF 15 GPM.
OPEN AND CLOSE DRAIN VALVE 3 TIMES WHILE PURGING TO REMOVE ANY AIR POCKETS.*****

NOTES:

- 1 CHECK LOCAL CODES
- 2 WATER HAMMER ARRESTOR MUST BE INSTALLED
CHECK MANUFACTURERS INSTALLATION
INSTRUCTIONS FOR PROPER LOCATION AND SIZE
- 3 SLOW ACTING VALVES ARE RECOMMENDED
TO PREVENT POSSIBLE DAMAGE TO HEATERS DUE TO
WATERHAMMER
CHECK VALVE MUST BE INSTALLED ON THE
OUTLET PORT IF HEATER IS TO BE LOCATED
ABOVE FIXTURE TO PREVENT AIR ACCUMULATION
RELIEF VALVE NOT REQUIRED ON AP HEATERS-
REFER TO STATE AND LOCAL CODES

Eemax

TM

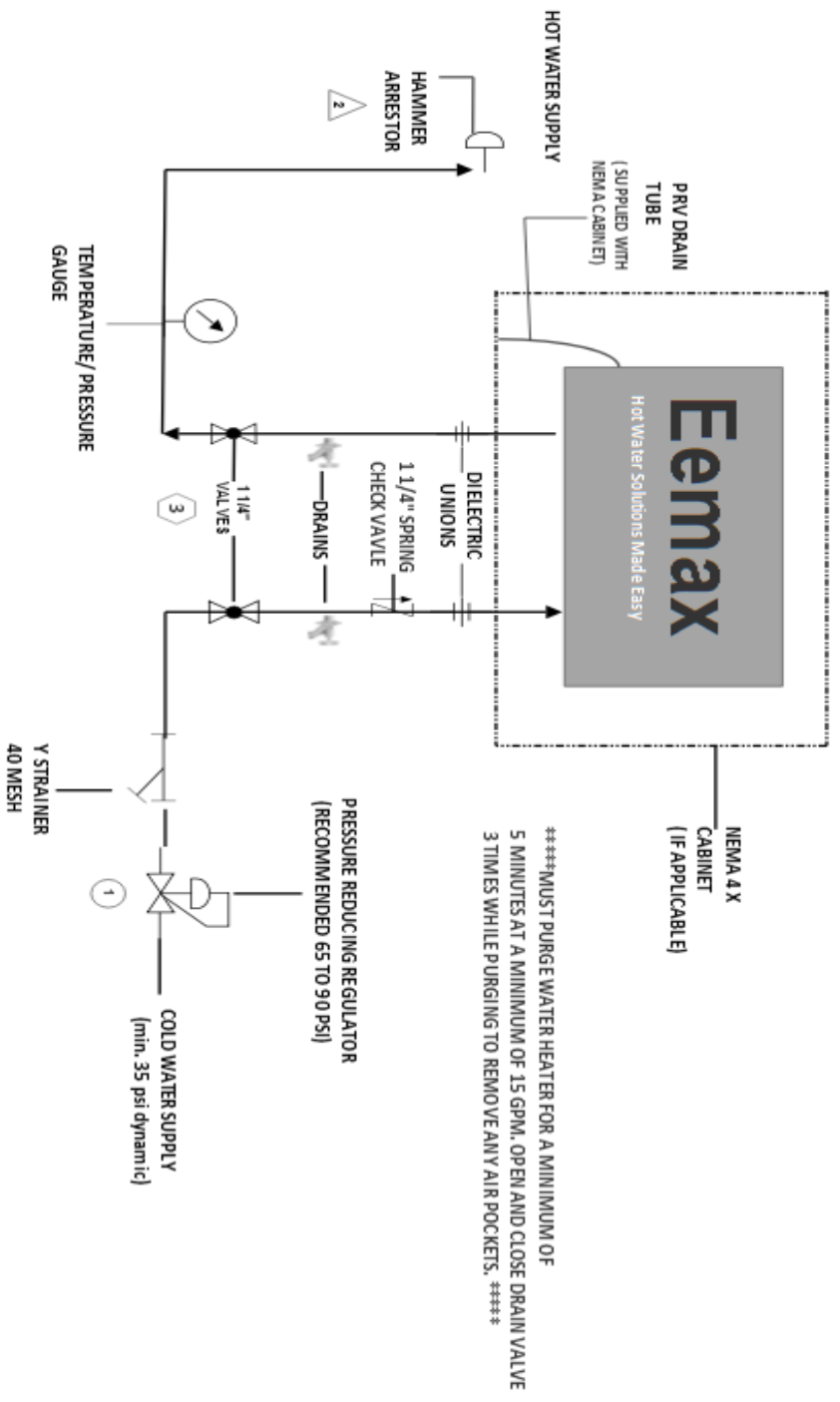
RECIRCULATION LOOP THROUGH HEATER OPTION 1

DRAWING SCHEMATIC IS A RECOMMENDATION ONLY.

THIS IS NOT AN ENGINEERING DRAWING. IT IS INTENDED ONLY AS A GUIDE AND NOT AS A REPLACEMENT FOR PROFESSIONAL ENGINEERING PROJECT DRAWINGS. THIS DRAWING IS NOT INTENDED TO DESCRIBE A COMPLETE SYSTEM. IT IS UP TO THE CONTRACTOR OR ENGINEER TO DETERMINE THE NECESSARY COMPONENTS AND CONFIGURATION OF THE PARTICULAR SYSTEM TO BE INSTALLED. THE DRAWING DOES NOT IMPLY COMPLIANCE WITH LOCAL BUILDING CODE REQUIREMENTS. IT IS THE RESPONSIBILITY OF THE ENGINEER OR CONTRACTOR TO ENSURE THAT THE INSTALLATION IS IN ACCORDANCE WITH ALL LOCAL BUILDING CODES. CONFER WITH LOCAL BUILDING OFFICIALS BEFORE INSTALLATION.

400 CAPTAIN NEVILLE DR.
WATERBURY, CT. 06075
1-800-543-6163
Eemax.Support@eemax.com

SINGLE WATER HEATER



*****MUST PURGE WATER HEATER FOR A MINIMUM OF 5 MINUTES AT A MINIMUM OF 15 GPM. OPEN AND CLOSE DRAIN VALVE 3 TIMES WHILE PURGING TO REMOVE ANY AIR POCKETS. *****

PRESSURE REDUCING REGULATOR (RECOMMENDED 65 TO 90 PSI)

COLD WATER SUPPLY (min. 35 psi dynamic)

Y STRAINER 40 MESH

- NOTES:
- 1 CHECK LOCAL CODES
 - 2 WATER HAMMER ARRESTOR MUST BE INSTALLED
 - 3 INSTRUCTIONS FOR PROPER LOCATION AND SIZE SLOW ACTING VALVES ARE RECOMMENDED TO PREVENT POSSIBLE DAMAGE TO HEATERS DUE TO WATER HAMMER

WATER HAMMER MUST BE INSTALLED ON THE OUTLET PORT IF HEATERS IS TO BE LOCATED ABOVE FUTURE TO PREVENT AIR ACCUMULATION

RELIEF VALVE NOT REQUIRED ON AP HEATERS- REFER TO STATE AND LOCAL CODES

Eemax™

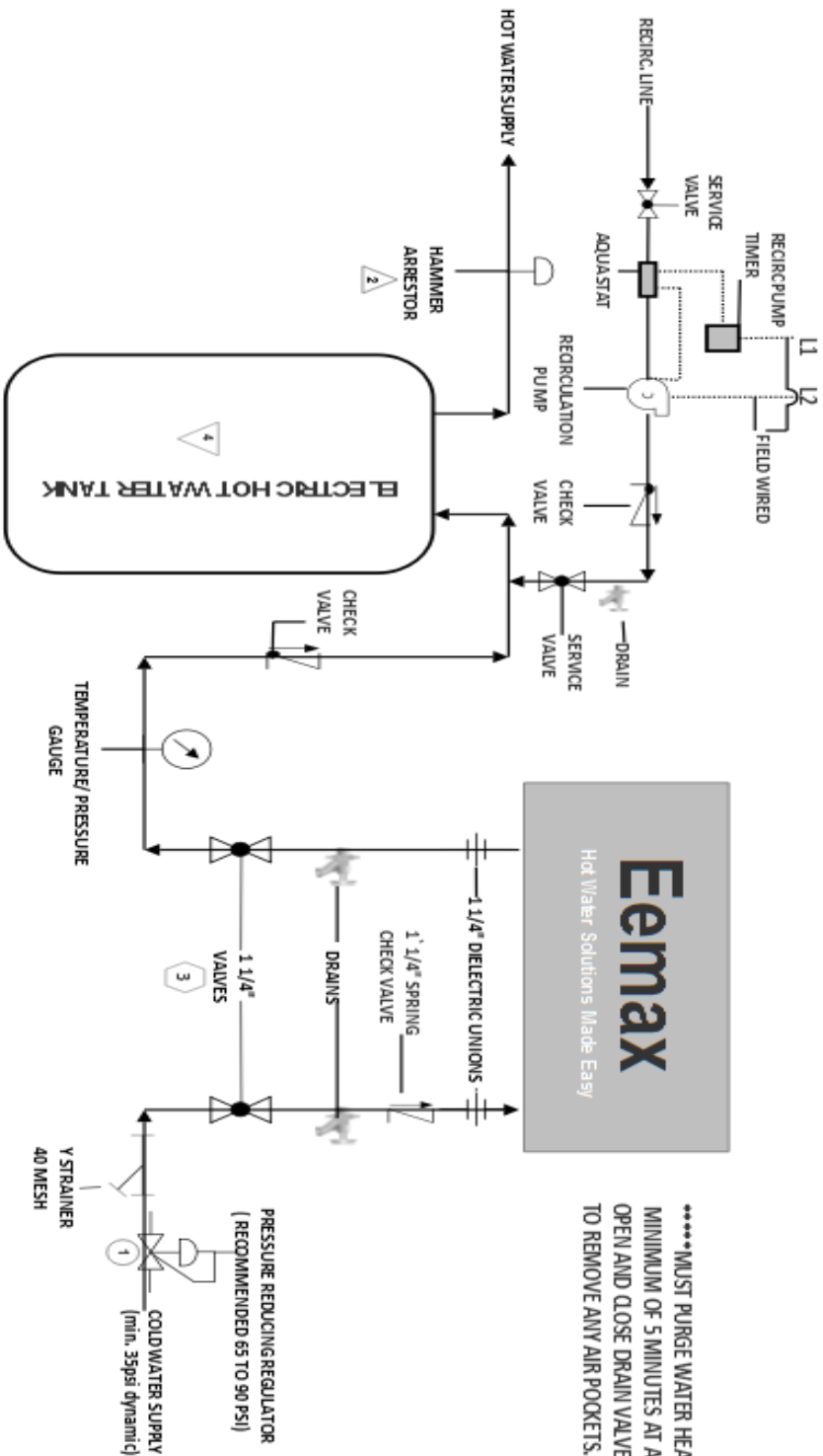
SINGLE WATER HEATER

DRAWING SCHEMATIC IS A RECOMMENDATION ONLY.

THIS IS NOT AN ENGINEERING DRAWING. IT IS INTENDED ONLY AS A GUIDE AND NOT AS A REPLACEMENT FOR PROFESSIONAL ENGINEERING PROJECT DRAWINGS. THIS DRAWING IS NOT INTENDED TO DESCRIBE A COMPLETE SYSTEM. IT IS UP TO THE CONTRACTOR OR ENGINEER TO DETERMINE THE NECESSARY COMPONENTS AND CONFIGURATION OF THE PARTICULAR SYSTEM TO BE INSTALLED. THE DRAWING DOES NOT IMPLY COMPLIANCE WITH LOCAL BUILDING CODE REQUIREMENTS. IT IS THE RESPONSIBILITY OF THE ENGINEER OR CONTRACTOR TO ENSURE THAT THE INSTALLATION IS IN ACCORDANCE WITH ALL LOCAL BUILDING CODES. CONFER WITH LOCAL BUILDING OFFICIALS BEFORE INSTALLATION.

400 CAPTAIN NEVILLE DR.
 WATERBURY, CT. 06075
 1-800-543-6163
 Eemax.Support@eemax.com

SINGLE HEATER WITH TANK



*****MUST PURGE WATER HEATER FOR A MINIMUM OF 5 MINUTES AT A MINIMUM OF 15 GPM. OPEN AND CLOSE DRAIN VALVE 3 TIMES WHILE PURGING TO REMOVE ANY AIR POCKETS. *****

NOTES:

- 1 CHECK LOCAL CODES
- 2 WATER HAMMER ARRESTOR MUST BE INSTALLED
CHECK MANUFACTURERS INSTALLATION
INSTRUCTIONS FOR PROPER LOCATION AND SIZE
- 3 SLOW ACTING VALVES ARE RECOMMENDED
TO PREVENT DAMAGE TO HEATERS
- 4 AQUA STAT SET TO DESIRED LOOP
TEMPERATURE

RELIEF VALVE NOT REQUIRED ON AP HEATERS-
REFER TO STATE AND LOCAL CODES

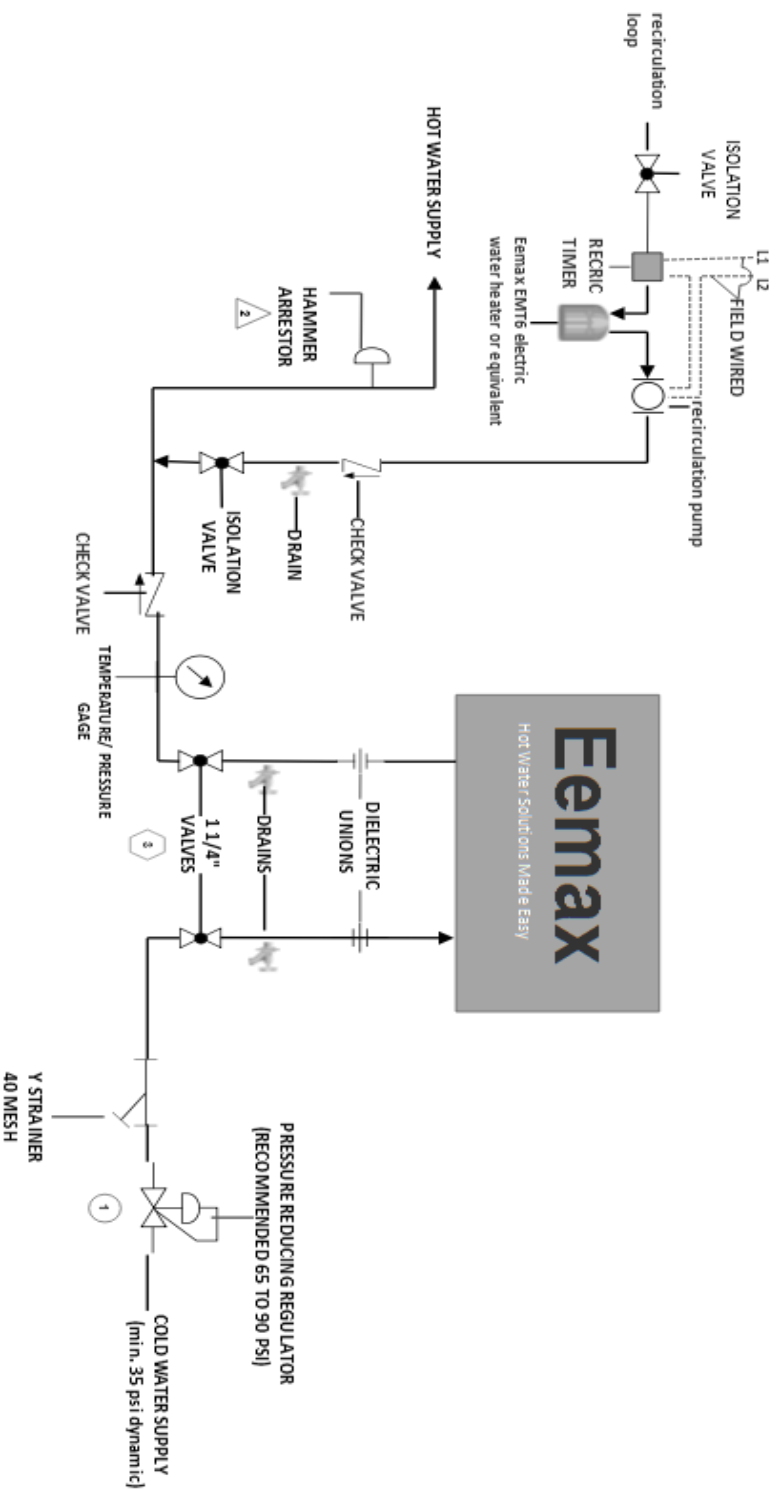
Eemax

SINGLE HEATER WITH TANK

400 CAPTAIN NEVILLE DR.
WATERBURY, CT. 06075
1-800-543-6163
Eemax.Support@eemax.com

DRAWING IS A RECOMMENDATION ONLY
THIS IS NOT AN ENGINEERING DRAWING. IT IS INTENDED ONLY AS A GUIDE AND NOT AS A REPLACEMENT FOR PROFESSIONAL ENGINEERING PROJECT DRAWINGS. THIS DRAWING IS NOT INTENDED TO DESCRIBE A COMPLETE SYSTEM. IT IS UP TO THE CONTRACTOR OR ENGINEER TO DETERMINE THE NECESSARY COMPONENTS AND CONFIGURATION OF THE PARTICULAR SYSTEM TO BE INSTALLED. THE DRAWING DOES NOT IMPLY COMPLIANCE WITH LOCAL BUILDING CODE REQUIREMENTS. IT IS THE RESPONSIBILITY OF THE ENGINEER OR CONTRACTOR TO ENSURE THAT THE INSTALLATION IS IN ACCORDANCE WITH ALL LOCAL BUILDING CODES. CONFER WITH LOCAL BUILDING OFFICIALS BEFORE INSTALLATION

SINGLE HEATER WITH TANK WITH RECIRCULATION LOOP



NOTES:
 *****MUST PURGE WATER HEATER FOR A MINIMUM OF 5 MINUTES AT A MINIMUM OF 15 GPM,
 OPEN AND CLOSE DRAIN VALVE 3 TIMES WHILE PURGING TO REMOVE ANY AIR POCKETS. *****

① CHECK LOCAL CODES

② WATER HAMMER ARRESTOR MUST BE INSTALLED
 CHECK MANUFACTURERS INSTALLATION
 INSTRUCTIONS FOR PROPER LOCATION AND SIZE
 SLOW ACTING VALVES ARE RECOMMENDED
 TO PREVENT POSSIBLE DAMAGE TO HEATERS DUE TO
 WATER HAMMER

③ CHECK VALVE MUST BE INSTALLED ON THE
 OUTLET PORT IF HEATER IS TO BE LOCATED
 ABOVE FIXTURE TO PREVENT AIR ACCUMULATION
 RELIEF VALVE NOT REQUIRED ON AP HEATERS-
 REFER TO STATE AND LOCAL CODES

Eemax

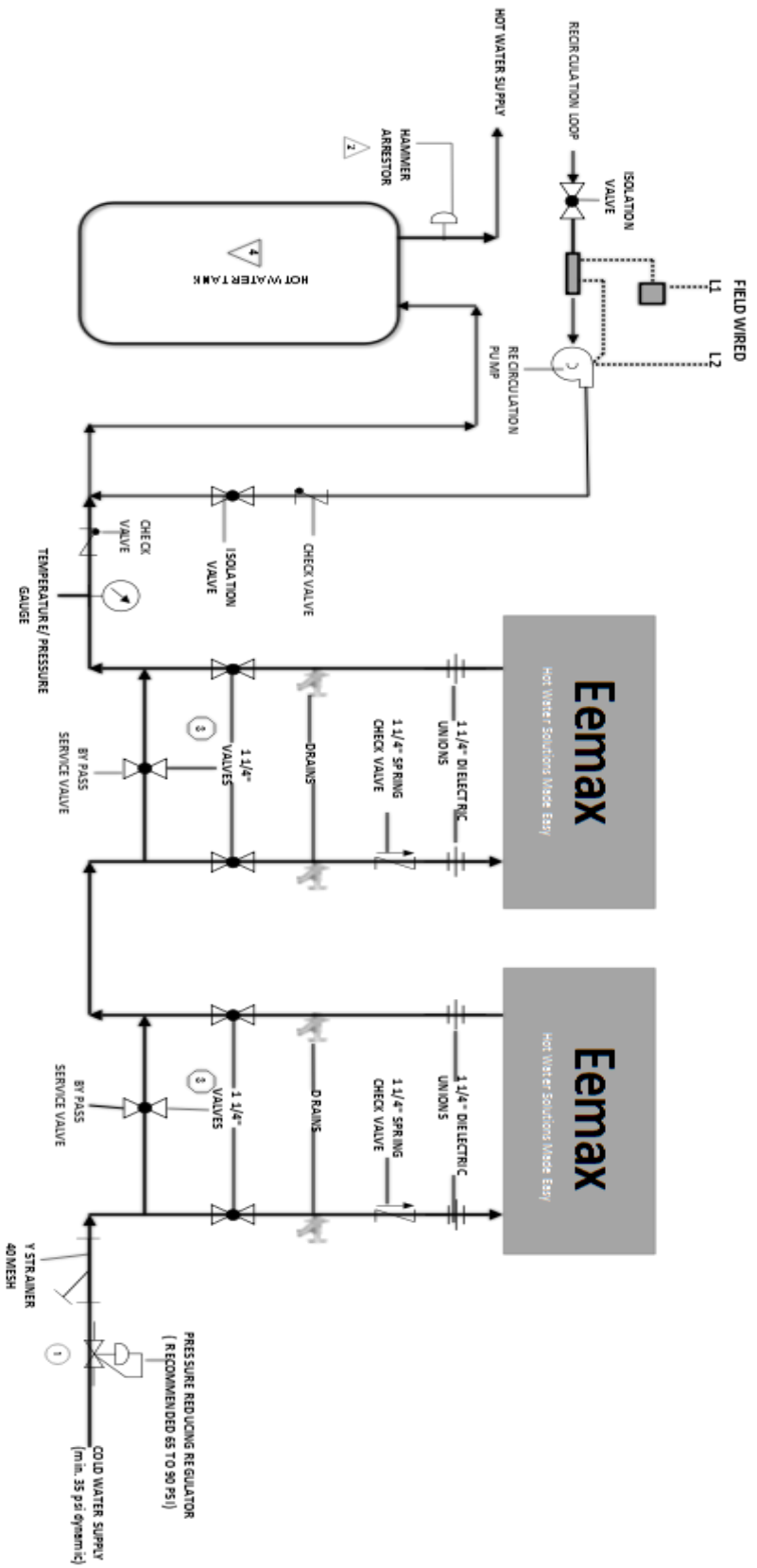
SINGLE WATER HEATER WITH RECIRCULATION LOOP

DRAWING SCHEMATIC IS A RECOMMENDATION ONLY.

THIS IS NOT AN ENGINEERING DRAWING. IT IS INTENDED ONLY AS A GUIDE AND NOT AS A REPLACEMENT FOR PROFESSIONAL ENGINEERING PROJECT DRAWINGS. THIS DRAWING IS NOT INTENDED TO DESCRIBE A COMPLETE SYSTEM. IT IS UP TO THE CONTRACTOR OR ENGINEER TO DETERMINE THE NECESSARY COMPONENTS AND CONFIGURATION OF THE PARTICULAR SYSTEM TO BE INSTALLED. THE DRAWING DOES NOT IMPLY COMPLIANCE WITH LOCAL BUILDING CODE REQUIREMENTS. IT IS THE RESPONSIBILITY OF THE ENGINEER OR CONTRACTOR TO ENSURE THAT THE INSTALLATION IS IN ACCORDANCE WITH ALL LOCAL BUILDING CODES. CONFER WITH LOCAL BUILDING OFFICIALS BEFORE INSTALLATION.

400 CAPTAIN NEVILLE DR.
 WATERBURY, CT. 06075
 1-800-543-6163
 Eemax.Support@eemax.com

SERIES WITH TANK AND RECIRCULATION LOOP



*****MUST PURGE WATER HEATER FOR A MINIMUM OF 5 MINUTES AT A MINIMUM OF 15 GPM, OPEN AND CLOSE DRAIN VALVES 3 TIMES WHILE PURGING TO REMOVE ANY AIR POCKETS. *****

- NOTES:
- 1 CHECK LOCAL CODES
 - 2 WATER HAMMER ARRESTOR MUST BE INSTALLED CHECK MANUFACTURERS INSTALLATION INSTRUCTIONS FOR PROPER LOCATION AND SIZING
 - 3 SLOW ACTING VALVES RECOMMENDED TO PREVENT POSSIBLE DAMAGE DUE TO WATER HAMMER
 - 4 AQUASTAT SET TO DESIRED SUPPLY TEMPERATURE RELIEF VALVE NOT REQUIRED ON AP HEATERS- REFER TO STATE AND LOCAL CODES

TOTAL PRESSURE DROP IS EQUAL TO THE TOTAL OF ALL PRESSURE DROPS ACROSS ALL WATER HEATERS COMBINED CHECK VALVE MUST BE INSTALLED ON OUTLET PORT IF HEATER IS TO BE LOCATED ABOVE THE TANK'S OR OUTLETS

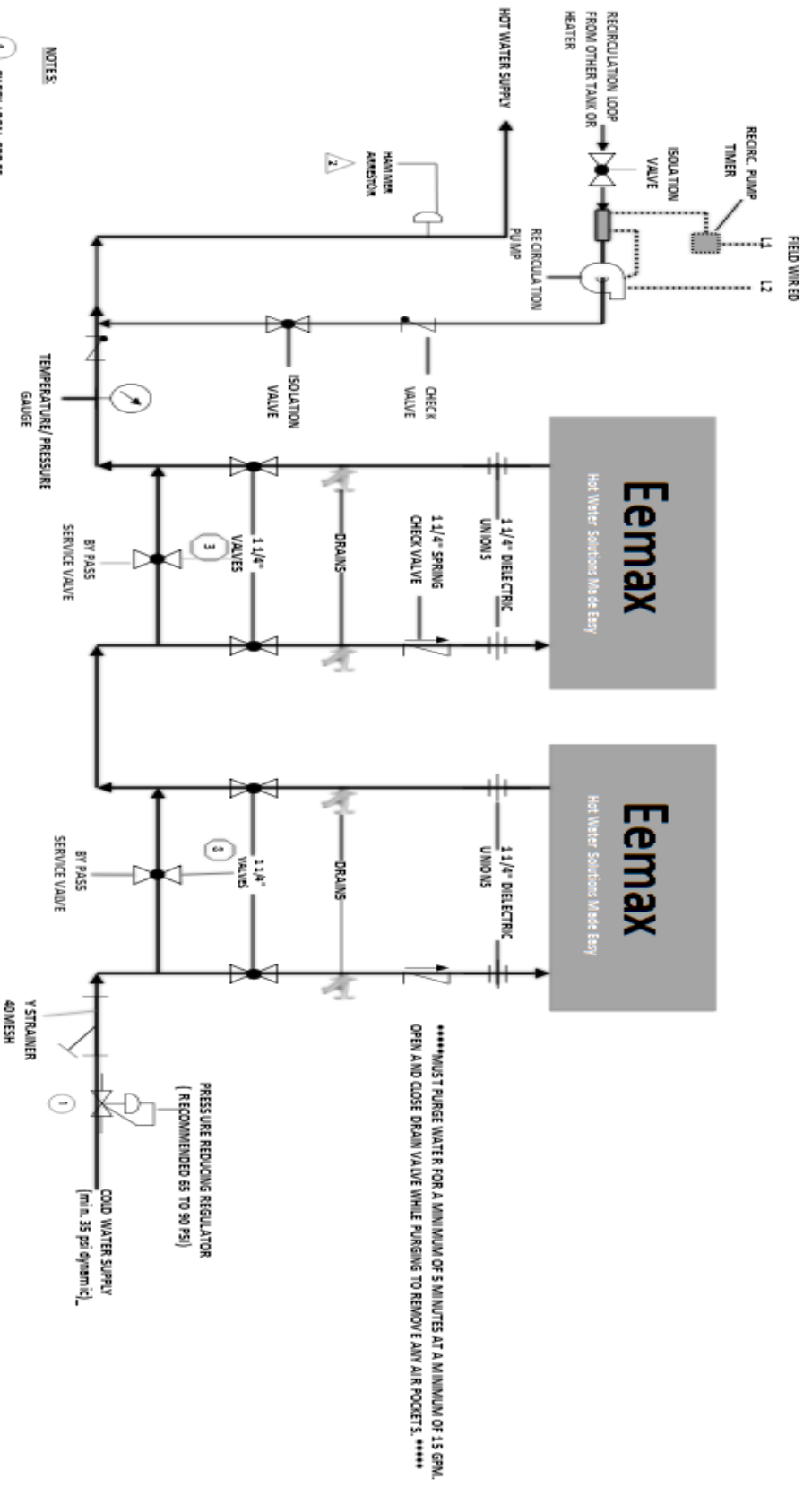
Eemax

SERIES WITH TANK AND RECIRCULATION LOOP

400 CAPTAIN NEVILLE DR.
 WATERBURY, CT 06075
 1-800-543-6163
 Eemax.Support@eemax.com

DRAWING IS A RECOMMENDATION ONLY
 THIS IS NOT AN ENGINEERING DRAWING; IT IS INTENDED ONLY AS A GUIDE AND NOT AS A REPLACEMENT FOR PROFESSIONAL ENGINEERING PROJECT DRAWINGS. THIS DRAWING IS NOT INTENDED TO DESCRIBE A COMPLETE SYSTEM, IT IS UP TO THE CONTRACTOR OR ENGINEER TO DETERMINE THE NECESSARY COMPONENTS AND CONFIGURATION OF THE PARTICULAR SYSTEM TO BE INSTALLED. THE DRAWING DOES NOT IMPLY COMPLIANCE WITH LOCAL BUILDING CODE REQUIREMENTS. IT IS THE RESPONSIBILITY OF THE ENGINEER OR CONTRACTOR TO ENSURE THAT THE INSTALLATION IS IN ACCORDANCE WITH ALL LOCAL BUILDING CODES. CONFERR WITH LOCAL BUILDING OFFICIALS BEFORE INSTALLATION.

SERIES APPLICATION WITH RECIRCULATION LOOP



- NOTES:
- 1 CHECK LOCAL CODES
 - 2 WATER HAMMER ARRESTOR MUST BE INSTALLED
CHECK MANUFACTURERS INSTALLATION INSTRUCTIONS FOR PROPER LOCATION AND SIZING
 - 3 SLOW ACTING VALVES RECOMMENDED TO PREVENT POSSIBLE DAMAGE DUE TO WATER HAMMER

TOTAL PRESSURE DROP IS EQUAL TO THE TOTAL OF ALL PRESSURE DROPS ACROSS ALL WATER HEATERS COMBINED
CHECK VALVE MUST BE INSTALLED IN OUTLET PORT IF HEATER IS TO BE LOCATED ABOVE FEATURES
RELIEF VALVE NOT REQUIRED ON ALL HEATERS- REFER TO STATE AND LOCAL CODES

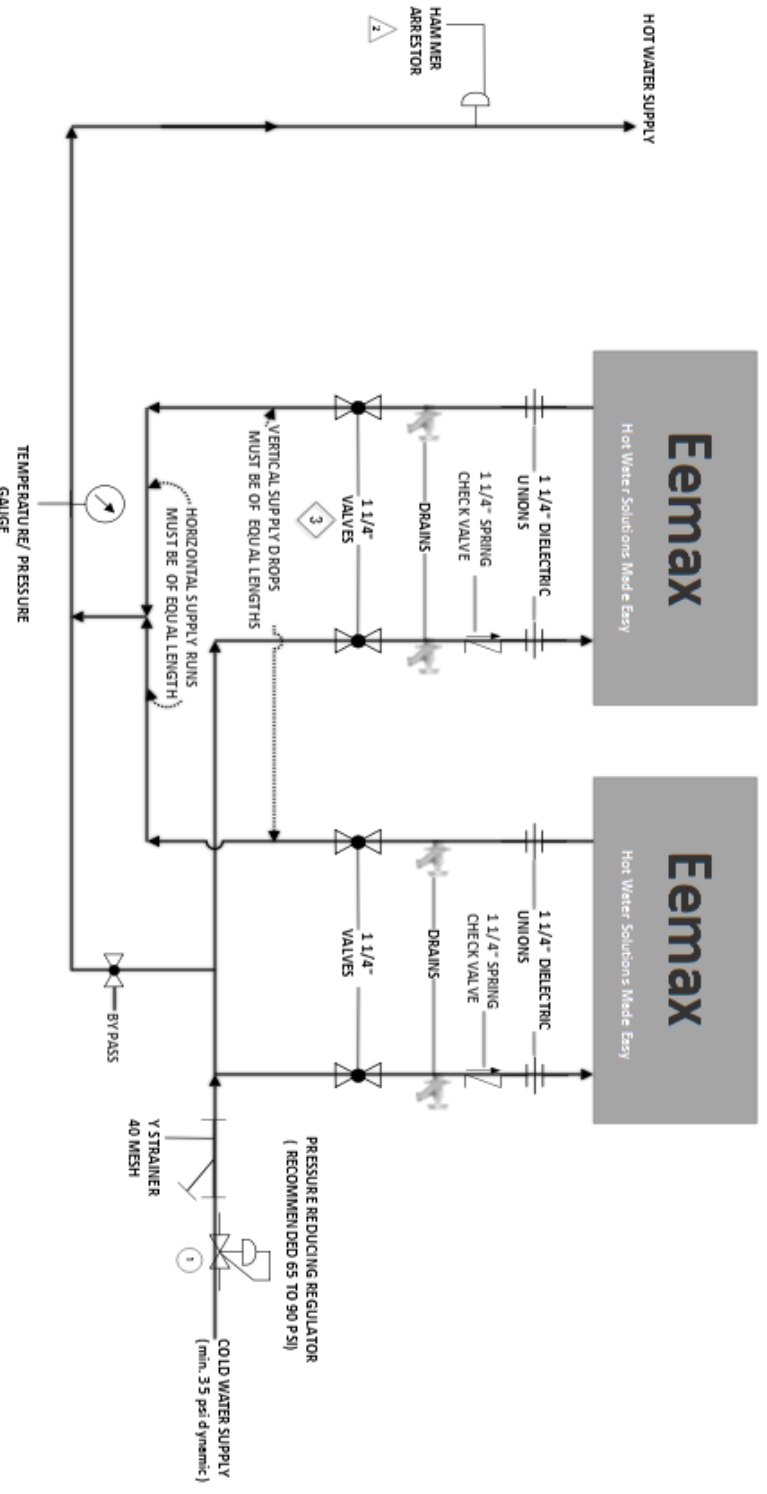


SERIES APPLICATION WITH RECIRCULATION LOOP

400 CAPTAIN NEVILLE DR.
WATERBURY, CT. 06075
1-800-543-6163
Femax.Support@eemax.com

DRAWING IS A RECOMMENDATION ONLY
THIS IS NOT AN ENGINEERING DRAWING; IT IS INTENDED ONLY AS A GUIDE AND NOT AS A REPLACEMENT FOR PROFESSIONAL ENGINEERING PROJECT DRAWINGS. THIS DRAWING IS NOT INTENDED TO DESCRIBE A COMPLETE SYSTEM. IT IS UP TO THE CONTRACTOR OR ENGINEER TO DETERMINE THE NECESSARY COMPONENTS AND CONFIGURATION OF THE PARTICULAR SYSTEM TO BE INSTALLED. THE DRAWING DOES NOT IMPLY COMPLIANCE WITH LOCAL BUILDING CODE REQUIREMENTS. IT IS THE RESPONSIBILITY OF THE ENGINEER OR CONTRACTOR TO ENSURE THAT THE INSTALLATION IS IN ACCORDANCE WITH ALL LOCAL BUILDING CODES. CONFERENCE WITH LOCAL BUILDING OFFICIALS BEFORE INSTALLATION.

PARALLEL APPLICATION



NOTES:

- 1. CHECK LOCAL CODES
 - 2. WATER HAMMER ARRESTOR MUST BE INSTALLED CHECK MANUFACTURER'S INSTALLATION INSTRUCTION & FOR PROPER LOCATION AND SIZING
 - 3. SLOW ACTING VALVES RECOMMENDED TO PREVENT POSSIBLE DAMAGE DUE TO WATER HAMMER
- RELIEF VALVE NOT REQUIRED ON AP HEATERS- REFER TO STATE AND LOCAL CODES
- CHECK VALVE MUST BE INSTALLED IN OUTLET PORT IF HEATERS IS TO BE LOCATED ABOVE FIXTURES
- *** TURN ON RATES 6 GPM
- *** MUST OBTAIN 12 GPM TO REACH 180 DEGREES

*****MUST PURGE WATER HEATER FOR A MINIMUM OF 5 MINUTES AT A MINIMUM OF 15 GPM. OPEN AND CLOSE DRAIN VALVES 3 TIMES WHILE PURGING TO REMOVE ANY AIR POCKETS*****

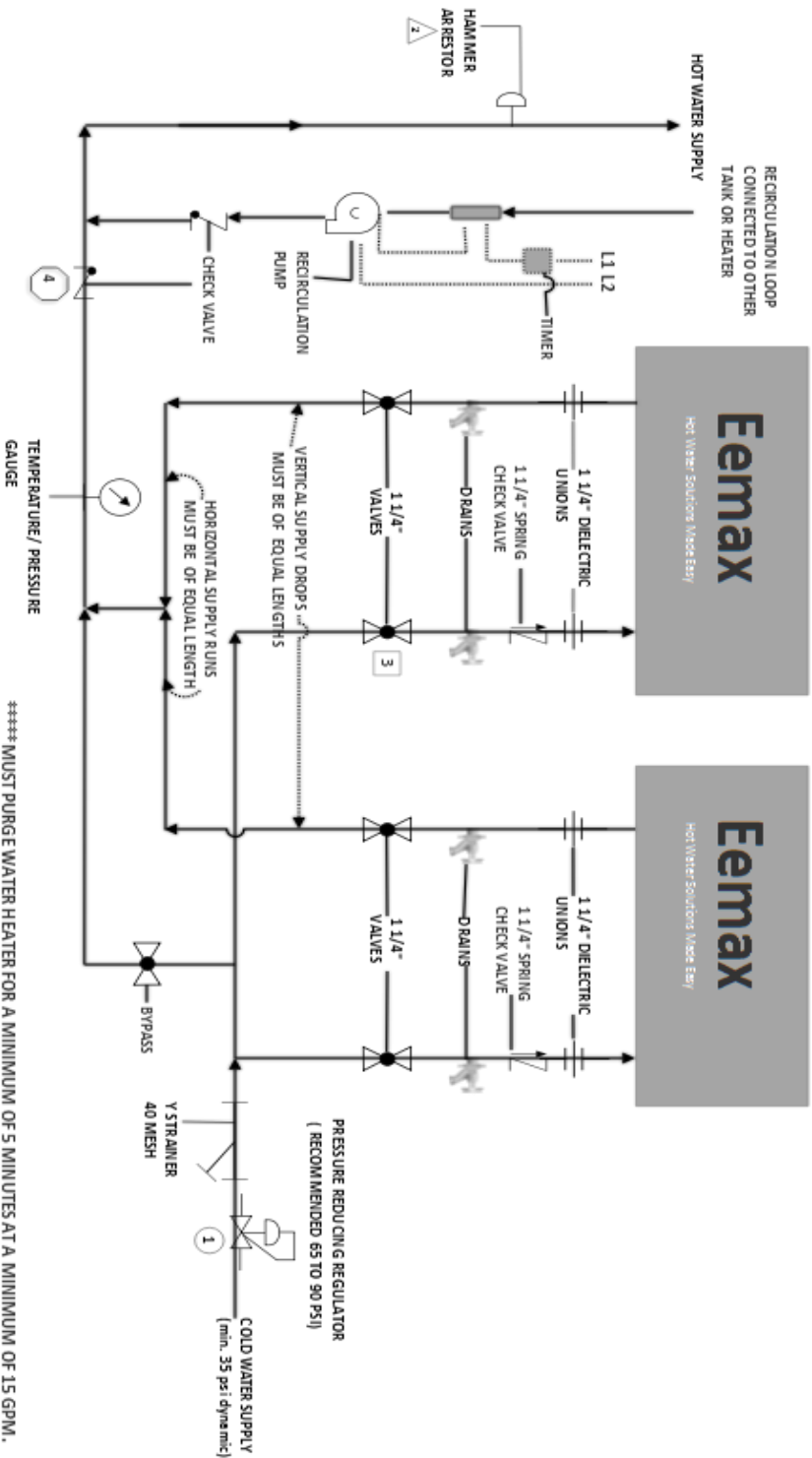


PARALLEL APPLICATION

400 CAPTAIN NEVILLE DR.
 WATER BURY, CT. 06075
 1-800-543-6163
 Eemax.Support@eemax.com

DRAWING IS A RECOMMENDATION ONLY. THIS IS NOT AN ENGINEERING DRAWING; IT IS INTENDED ONLY AS A GUIDE AND NOT AS A REPLACEMENT FOR PROFESSIONAL ENGINEERING PROJECT DRAWINGS. THIS DRAWING IS NOT INTENDED TO DESCRIBE A COMPLETE SYSTEM. IT IS UP TO THE CONTRACTOR OR ENGINEER TO DETERMINE THE NECESSARY COMPONENTS AND CONFIGURATION OF THE PARTICULAR SYSTEM TO BE INSTALLED. THE DRAWING DOES NOT IMPLY COMPLIANCE WITH LOCAL BUILDING CODE REQUIREMENTS. IT IS THE RESPONSIBILITY OF THE ENGINEER OR CONTRACTOR TO ENSURE THAT THE INSTALLATION IS IN ACCORDANCE WITH ALL LOCAL BUILDING CODES. COMHER WITH LOCAL BUILDING OFFICIALS BEFORE INSTALLATION.

PARALLEL WITH RECIRCULATION LOOP



NOTES:

- 1 CHECK LOCAL CODES
- 2 WATER HAMMER ARRESTOR MUST BE INSTALLED CHECK MANUFACTURERS INSTALLATION INSTRUCTIONS FOR PROPER LOCATION AND SIZING
- 3 SLOW ACTING VALVES RECOMMENDED TO PREVENT POSSIBLE DAMAGE DUE TO WATER HAMMER
- 4 CHECK VALVE ONLY USED IF RECIRCULATION LOOP IS INSTALLED

RELIEF VALVE NOT REQUIRED ON AP HEATERS- REFER TO STATE AND LOCAL CODES

CHECK VALVE MUST BE INSTALLED IN OUTER PORT IF HEATER IS TO BE LOCATED ABOVE FIXTURES

***USE OF RECIRCULATION PUMP THROUGH UNIT IS NOT RECOMMENDED

*** TURN ON RATE IS 6 GPM

*** MUST OBTAIN 12 GPM TO RECHG 180 DEGREES

***** MUST PURGE WATER HEATER FOR A MINIMUM OF 5 MINUTES AT A MINIMUM OF 15 GPM. OPEN AND CLOSE DRAIN VALVE 3 TIMES WHILE PURGING TO REMOVE ANY AIR POCKETS. *****

FemaxTM

PARALLEL WITH RECIRCULATION LOOP

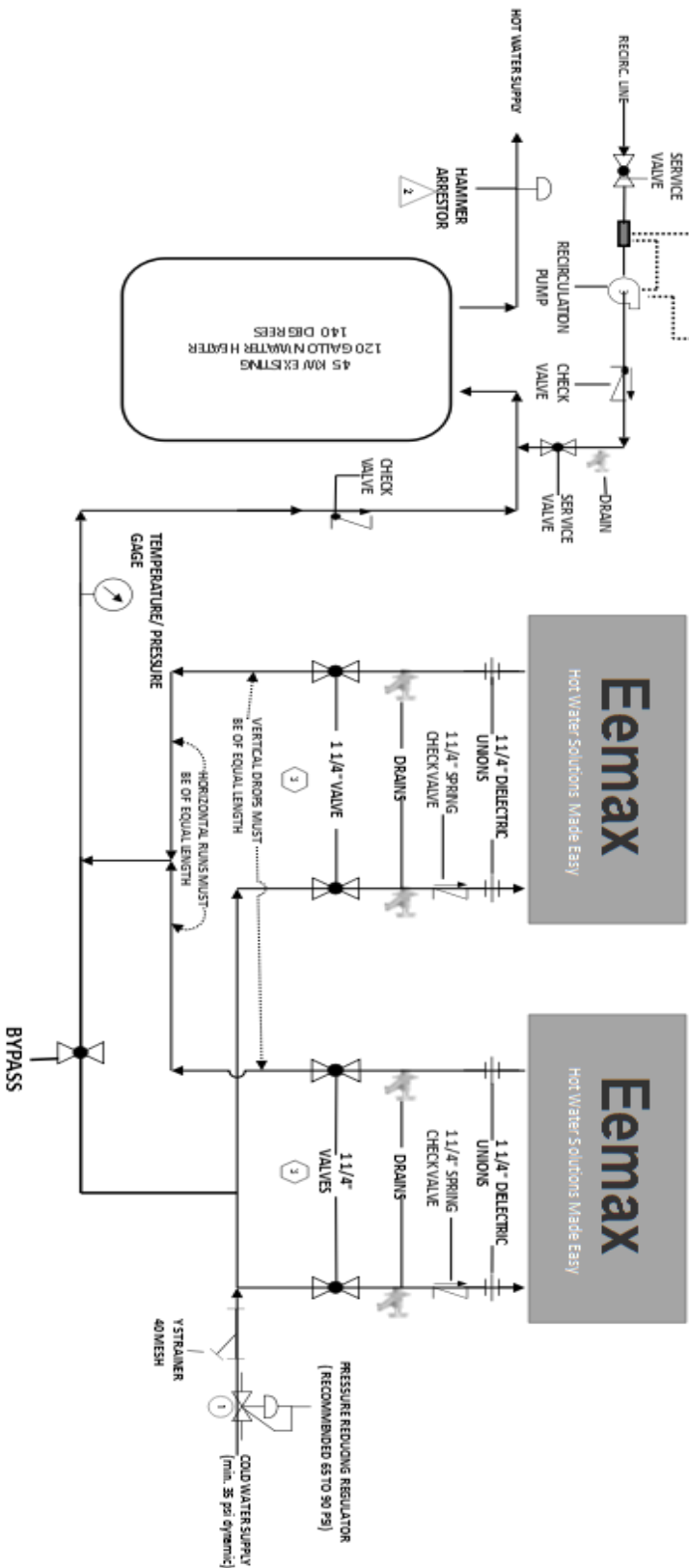
400 CAPTAIN NEVILLE DR.
WATER BURY, CT. 06075
1-800-543-6163
Eemax.Support@eemax.com

DRAWING IS A RECOMMENDATION ONLY. THIS IS NOT AN ENGINEERING DRAWING. IT IS INTENDED ONLY AS A GUIDE AND NOT AS A REPLACEMENT FOR PROFESSIONAL ENGINEERING PROJECT DRAWINGS. THIS DRAWING IS NOT INTENDED TO DESCRIBE A COMPLETE SYSTEM. IT IS UP TO THE CONTRACTOR OR ENGINEER TO DETERMINE THE NECESSARY COMPONENTS AND CONFIGURATION OF THE PARTICULAR SYSTEM TO BE INSTALLED. THE DRAWING DOES NOT IMPLY COMPLIANCE WITH LOCAL BUILDING CODE REQUIREMENTS. IT IS THE RESPONSIBILITY OF THE ENGINEER OR CONTRACTOR TO ENSURE THAT THE INSTALLATION IS IN ACCORDANCE WITH ALL LOCAL BUILDING CODES. CONFER WITH LOCAL BUILDING OFFICIALS BEFORE INSTALLATION.

PARALLEL WITH TANK HEATER

FIELD WIRED
L1 L2

*****MUST PURGE WATER HEATER FOR A MINIMUM OF 5 MINUTES
AT A MINIMUM OF 15 GPM. OPEN AND CLOSE DRAIN VALVE
WHILE PURGING TO REMOVE ANY AIR POCKETS *****



NOTES:

- 1 CHECK LOCAL CODES
 - 2 WATER HAMMER ARRESTOR MUST BE INSTALLED
CHECK MANUFACTURERS INSTALLATION
INSTRUCTIONS FOR PROPER LOCATION AND SIZE
 - 3 SLOW ACTING VALVES ARE RECOMMENDED
TO PREVENT DAMAGE TO HEATERS
- RELIEF VALVE NOT REQUIRED ON LAP HEATERS-
REFER TO STATE AND LOCAL CODES
- CHECK VALVE MUST BE INSTALLED IN
OUTLET PORTS IF HEATER IS TO BE
LOCATED ABOVE TANK OR FITURES

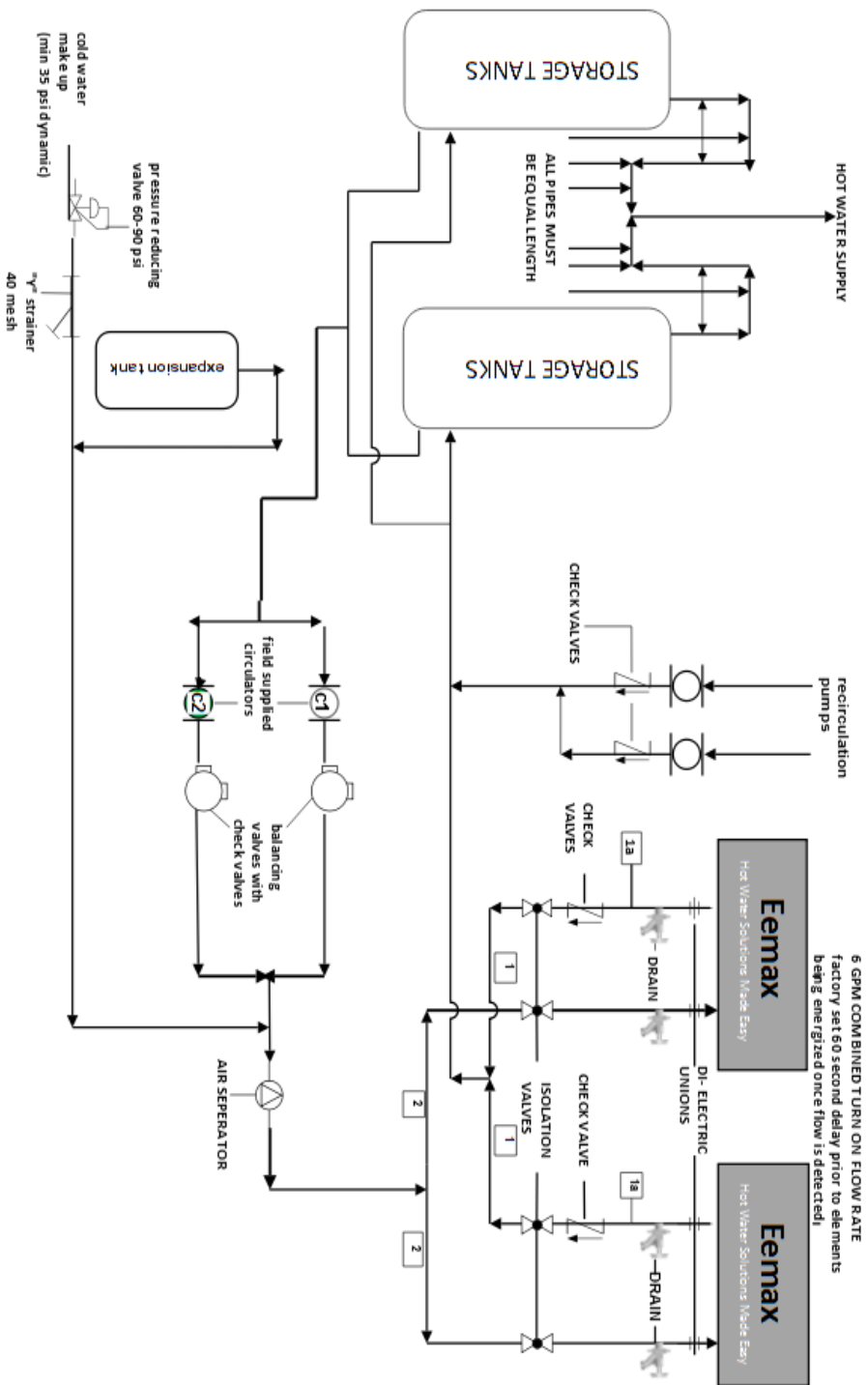
EemaxTM

PARALLEL WITH TANK HEATER

400 CAPTAIN NEVILLE DR,
WATERBURY, CT. 06075
1-800-543-6163
Eemax-Support@eemax.com

DRAWING SCHEMATIC IS A RECOMMENDATION ONLY.
THIS IS NOT AN ENGINEERING DRAWING; IT IS INTENDED ONLY AS A REPLACEMENT FOR
PROFESSIONAL ENGINEERING PROJECT DRAWINGS. THIS DRAWING IS NOT INTENDED TO DESCRIBE A COMPLETE SYSTEM,
TIE UP TO THE CONTRACTOR OR ENGINEER TO DETERMINE THE NECESSARY COMPONENTS AND CONFIGURATION OF THE
PARTICULAR SYSTEM TO BE INSTALLED. THE DRAWING DOES NOT IMPLY COMPLIANCE WITH LOCAL BUILDING CODE
REQUIREMENTS. IT IS THE RESPONSIBILITY OF THE ENGINEER OR CONTRACTOR TO ENSURE THAT THE INSTALLATION IS IN
ACCORDANCE WITH ALL LOCAL BUILDING CODES. CONFER WITH LOCAL BUILDING OFFICIALS BEFORE INSTALLATION.

PARALLEL HEATERS WITH CIRCULATORS WITH STORAGE TANKS



Eemax™

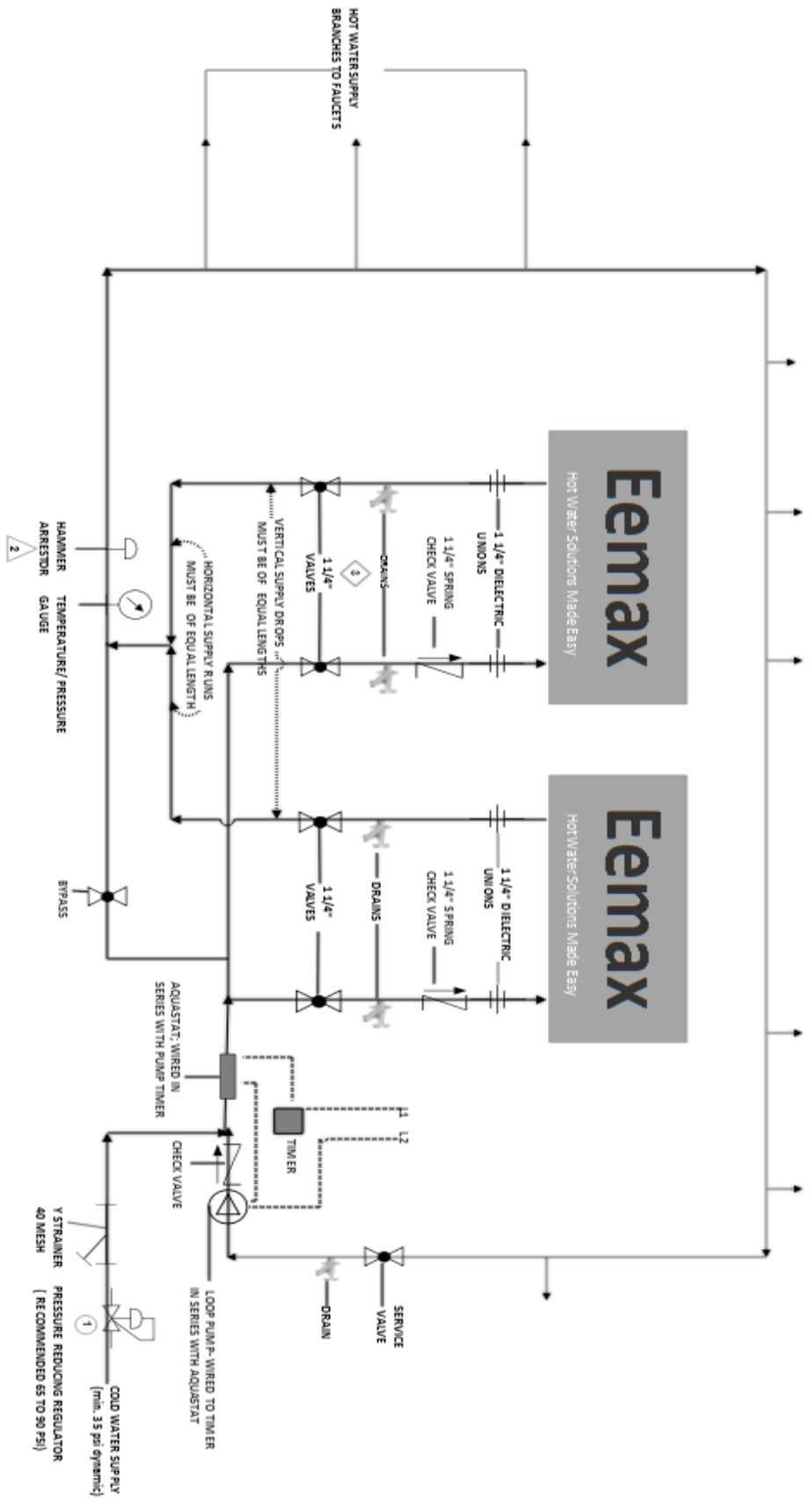
PARALLEL HEATERS WITH CIRCULATORS WITH STORAGE TANKS

DRAWING IS A RECOMMENDATION ONLY.

THIS IS NOT AN ENGINEERING DRAWING. IT IS INTENDED ONLY AS A GUIDE AND NOT AS A REPLACEMENT FOR PROFESSIONAL ENGINEERING PROJECT DRAWINGS. THIS DRAWING IS NOT INTENDED TO DESCRIBE A COMPLETE SYSTEM. IT IS UP TO THE CONTRACTOR OR ENGINEER TO DETERMINE THE NECESSARY COMPONENTS AND CONFIGURATION OF THE PARTICULAR SYSTEM TO BE INSTALLED. THE DRAWING DOES NOT IMPLY COMPLIANCE WITH LOCAL BUILDING CODE REQUIREMENTS. IT IS THE RESPONSIBILITY OF THE ENGINEER OR CONTRACTOR TO ENSURE THAT THE INSTALLATION IS IN ACCORDANCE WITH ALL LOCAL BUILDING CODES. CONFER WITH LOCAL BUILDING OFFICIALS BEFORE INSTALLATION.

400 captain Neville drive
Waterbury, ct, 06075
1-800-543-6163
Eemax.Support@eemax.com

PARALLEL APPLICATION IN LOOP CONFIGURATION



NOTES:

- ① CHECK LOCAL CODES
- ⚠ WATER HAMMER ARRESTOR MUST BE INSTALLED CHECK MANUFACTURER'S INSTALLATION INSTRUCTIONS FOR PROPER LOCATION AND BEING REFER TO STATE AND LOCAL CODES
- ⚡ BLOW OUTTING VALVE IS RECOMMENDED TO PREVENT POSSIBLE DAMAGE DUE TO WATER HAMMER

RELIEF VALVE NOT REQUIRED ON AP HEATERS- REFER TO STATE AND LOCAL CODES
CHECK VALVE MUST BE INSTALLED IN OUTLET TUBING HEATERS TO BE LOCATED ABOVE FIXTURES

HEATERS INSTALLED WITH AN ADJUSTABLE TIME DELAY ONCE PUMP IS ENGAGED BEFORE HEATER ELEMENTS ARE ENERGIZED

*****MUST PURGE WATER HEATER FOR A MINIMUM OF 5 MINUTES AT A MINIMUM OF 15GPM, OPEN AND CLOSE DRAIN VALVES 3 TIMES WHILE PURGING TO REMOVE ANY AIR POCKETS. *****

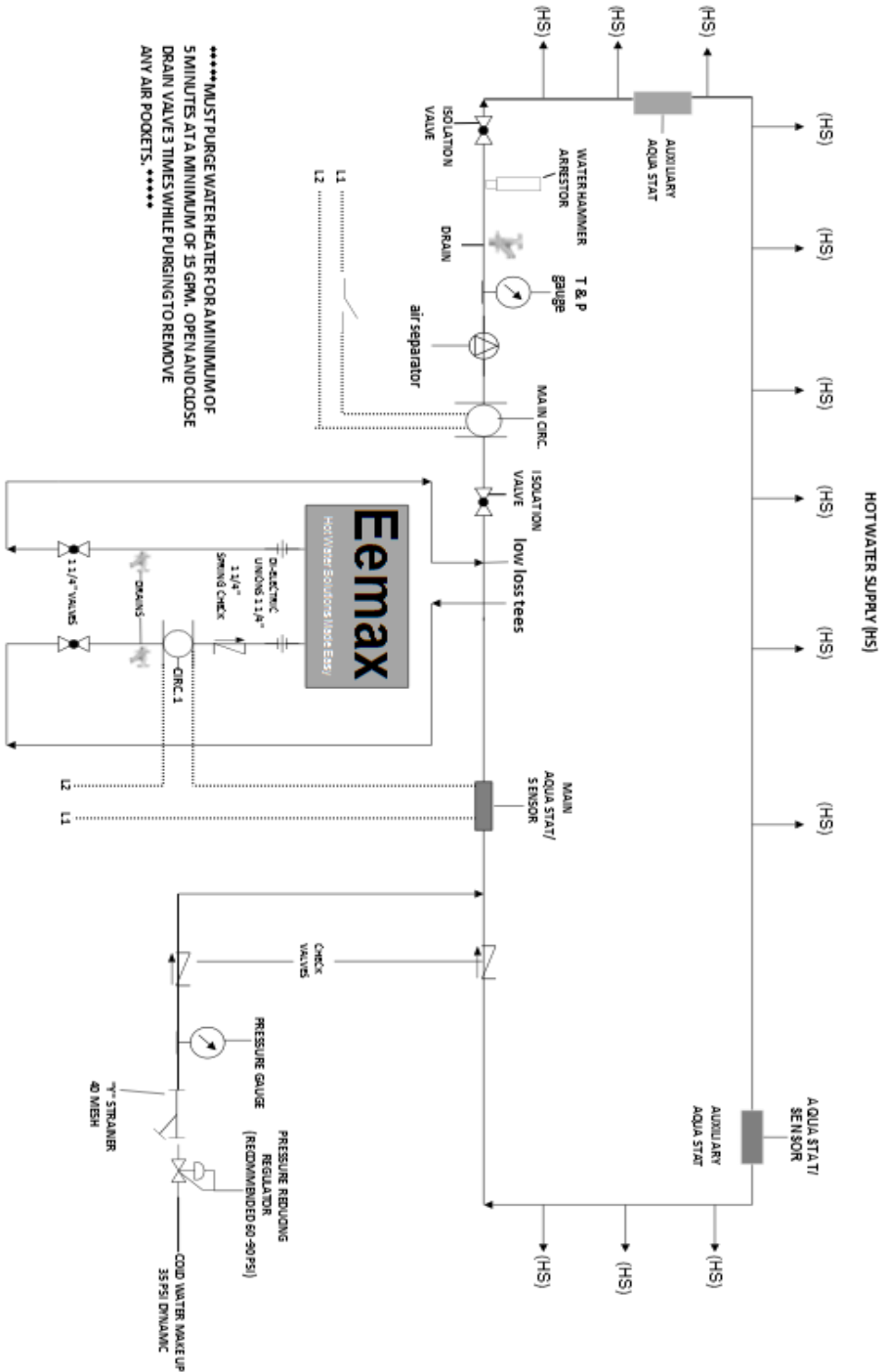


PARALLEL APPLICATION IN LOOP CONFIGURATION

DRAWING IS A RECOMMENDATION ONLY. IT IS INTENDED ONLY AS A GUIDE AND NOT AS A REPLACEMENT FOR PROFESSIONAL ENGINEERING PROJECT DRAWINGS. THIS DRAWING IS NOT INTENDED TO BE SCRIBED A COMPLETE SYSTEM. IT IS UP TO THE CONTRACTOR OR ENGINEER TO DETERMINE THE NECESSARY COMPONENTS AND CONFIGURATION OF THE PARTICULAR SYSTEM TO BE INSTALLED. THE DRAWING DOES NOT IMPLY COMPLIANCE WITH LOCAL BUILDING CODE REQUIREMENTS. IT IS THE RESPONSIBILITY OF THE ENGINEER OR CONTRACTOR TO ENSURE THAT THE INSTALLATION IS IN ACCORDANCE WITH ALL LOCAL BUILDING CODES. CONFER WITH LOCAL BUILDING OFFICIALS BEFORE INSTALLATION.

400 CAPTAIN NEVILLE DR.
WATER BURY, CT. 06075
1-800-543-6163
Eemax.Support@eemax.com

PRIMARY/SECONDARY PIPING INSTALLATION



*****MUST PURGE WATERHEATER FOR A MINIMUM OF 5 MINUTES AT A MINIMUM OF 15 GPM. OPEN AND CLOSE DRAIN VALVE 3 TIMES WHILE PURGING TO REMOVE ANY AIR POCKETS.*****

NOTES

circulator controls supplied by others

it is recommended that main circulator and aquastat(s) be connected in series with a timer to shut down during off periods.

Depending on loop size and length, multiple aquastats connected in parallel may be necessary

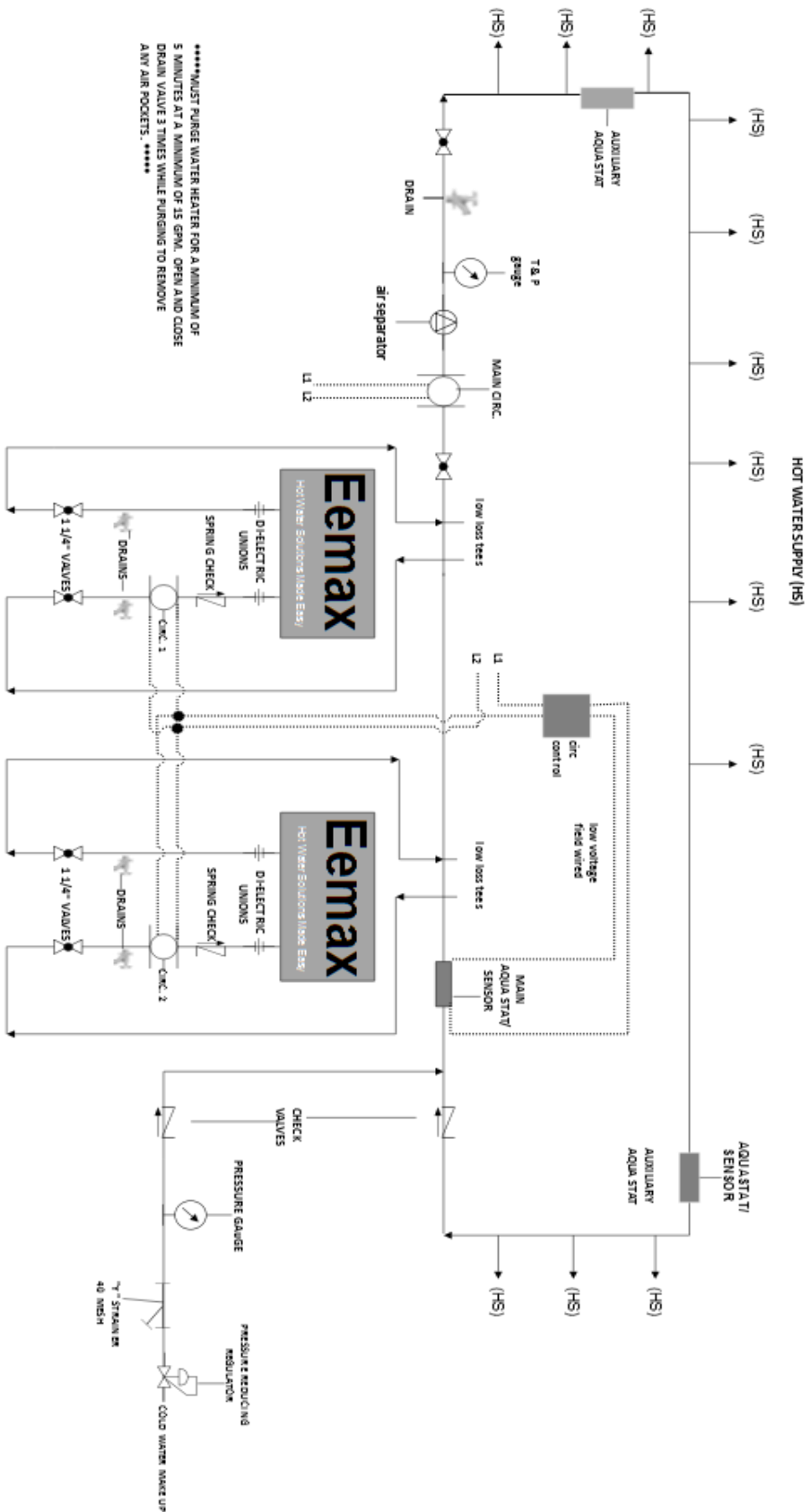
EemaxTM

PRIMARY / SECONDARY PIPING INSTALLATION

400 Captain Neville Drive
 Waterbury, CT. 06705
 1-800-543-6163
 Eemax.Support@eemax.com

DRAWING IS ONLY A RECOMMENDATION
 THIS IS NOT AN ENGINEERING DRAWING; IT IS INTENDED ONLY AS A GUIDE AND NOT AS A REPLACEMENT FOR PROFESSIONAL ENGINEERING PROJECT DRAWINGS. THIS DRAWING IS NOT INTENDED TO DESCRIBE A COMPLETE SYSTEM. IT IS UP TO THE CONTRACTOR OR ENGINEER TO DETERMINE THE NECESSARY COMPONENTS AND CONFIGURATION OF THE PARTICULAR SYSTEM TO BE INSTALLED. THE DRAWING DOES NOT IMPLY COMPLIANCE WITH LOCAL BUILDING CODE REQUIREMENTS. IT IS THE RESPONSIBILITY OF THE ENGINEER OR CONTRACTOR TO ENSURE THAT THE INSTALLATION IS IN ACCORDANCE WITH ALL LOCAL BUILDING CODES. CONFER WITH LOCAL BUILDING OFFICIALS BEFORE INSTALLATION

MULTIPLE HEATERS IN PRIMARY/SECONDARY PIPING INSTALLATION



*****MUST PURGE WATER HEATER FOR A MINIMUM OF 5 MINUTES AT A MINIMUM OF 15 GPM, OPEN AND CLOSE DRAIN VALVE 3 TIMES WHILE PURGING TO REMOVE ANY AIR POCKETS. *****

no/hrs

circulator controls supplied by others

It is recommended that main circulator and aquastat(s) be connected in series with a timer to shut down during off periods.

Depending on loop size and length, multiple aqua stats connected in parallel may be necessary.

Eemax™

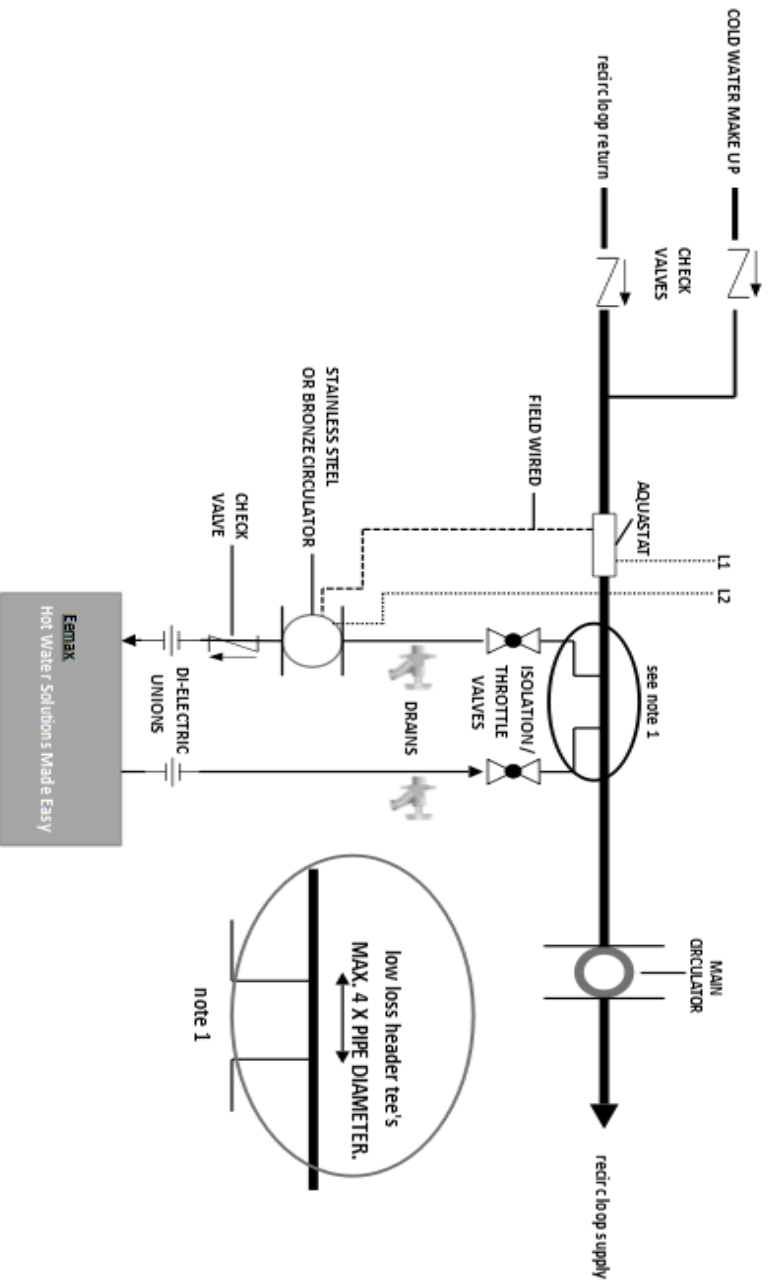
PRIMARY/SECONDARY PIPING INSTALLATION

DRAWING IS ONLY A RECOMMENDATION

THIS IS NOT AN ENGINEERING DRAWING; IT IS INTENDED ONLY AS A GUIDE AND NOT AS A REPLACEMENT FOR PROFESSIONAL ENGINEERING PROJECT DRAWINGS. THIS DRAWING IS NOT INTENDED TO DESCRIBE A COMPLETE SYSTEM. IT IS UP TO THE CONTRACTOR OR ENGINEER TO DETERMINE THE NECESSARY COMPONENTS AND CONFIGURATION OF THE PARTICULAR SYSTEM TO BE INSTALLED. THE DRAWING DOES NOT IMPLY COMPLIANCE WITH LOCAL BUILDING CODE REQUIREMENTS. IT IS THE RESPONSIBILITY OF THE ENGINEER OR CONTRACTOR TO ENSURE THAT THE INSTALLATION IS IN ACCORDANCE WITH ALL LOCAL BUILDING CODES, CONFER WITH LOCAL BUILDING OFFICIALS BEFORE INSTALLATION!

400 Captain Neville Drive
Waterbury, CT. 06705
1-800-543-6163
Eemax.Support@eemax.com

RECIRCULATION LOOP WITH LOW LOSS HEADER TEES



notes:

On initial start up, must purge water heater for at least 5 minutes. Open and close drain valve multiple times to get any lodged air out. Run 006 circulator for 5 minutes before applying power to heater.

Aquastat gets field wired into circulator, set aquastat for desired water temp.

Use throttle valve to maintain proper delta "T" between inlet and outlet of water heater

Eemax

RECIRCULATION LOOP WITH LOW LOSS HEADER TEES

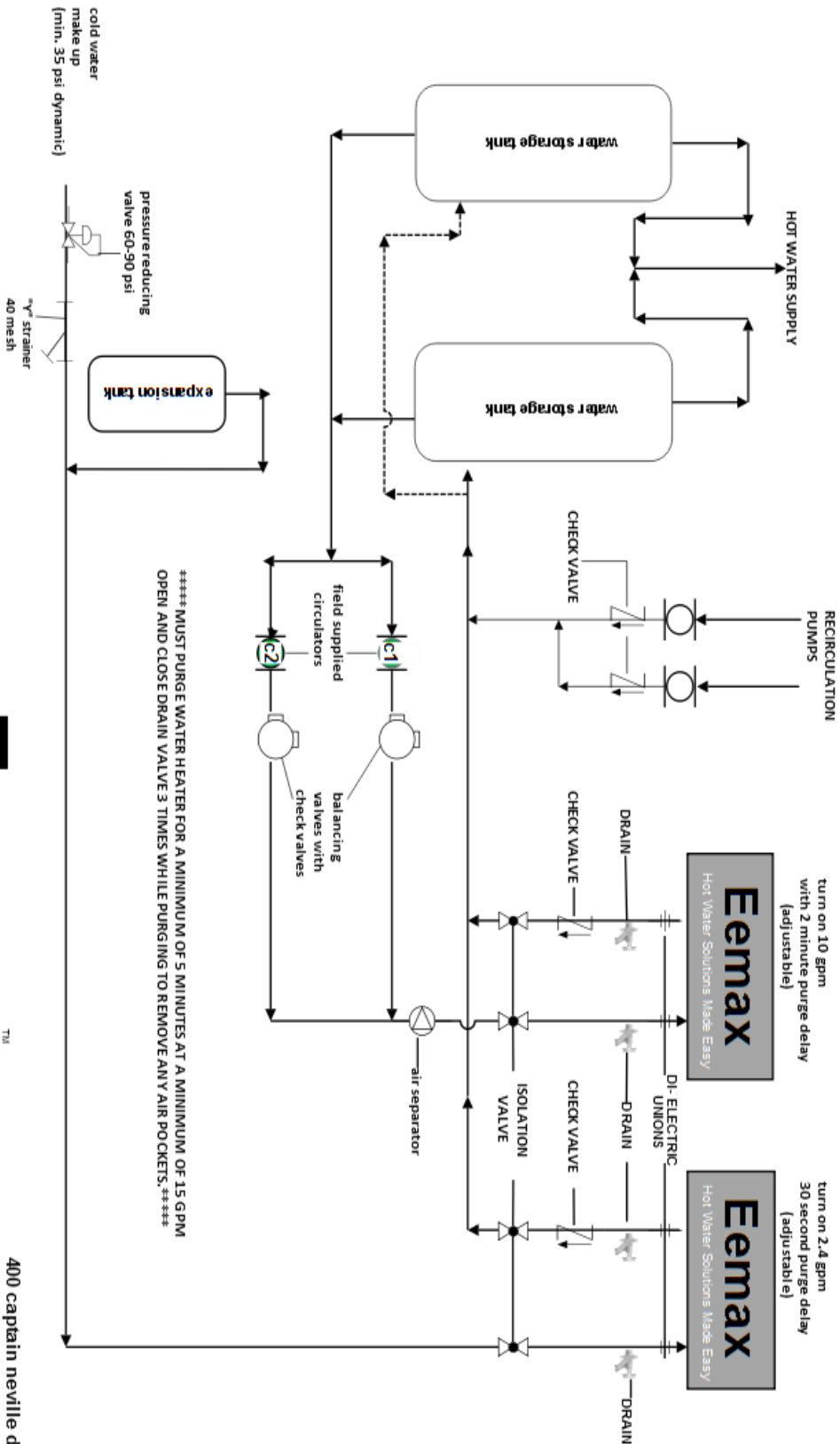
DRAWING IS A RECOMMENDATION ONLY

THIS IS NOT AN ENGINEERING DRAWING; IT IS INTENDED ONLY AS A GUIDE AND NOT AS A REPLACEMENT FOR PROFESSIONAL ENGINEERING PROJECT DRAWINGS. THIS DRAWING IS NOT INTENDED TO DESCRIBE A COMPLETE SYSTEM. IT IS UP TO THE CONTRACTOR OR ENGINEER TO DETERMINE THE NECESSARY COMPONENTS AND CONFIGURATION OF THE PARTICULAR SYSTEM TO BE INSTALLED.

THE DRAWINGS DOES NOT IMPLY COMPLIANCE WITH LOCAL BUILDING CODE REQUIREMENTS IT IS THE RESPONSIBILITY OF THE ENGINEER OR CONTRACTOR TO ENSURE THAT THE INSTALLATION IS IN ACCORDANCE WITH ALL LOCAL BUILDING CODES. CONFER WITH LOCAL BUILDING OFFICIALS BEFORE INSTALLATION.

400 CAPTAIN NEVILLE DRIVE
 WATERBURY, CT. 06075
 1-800-543-6163
 Eemax.Support@eemax.com

STORAGE TANKS WITH HIGH FLOW DEMAND CIRCULATORS/LOW FLOW DEMAND HEATER



*****MUST PURGE WATER HEATER FOR A MINIMUM OF 5 MINUTES AT A MINIMUM OF 15 GPM OPEN AND CLOSE DRAIN VALVE 3 TIMES WHILE PURGING TO REMOVE ANY AIR POCKETS.*****

NOTES:

HEATER 1 ONLY COMES ON WHEN PUMPS ACTIVATE TO REPLENISH TANKS UNDER HIGH DEMAND. PUMP SIZE AND BALANCING VALVE SIZES DETERMINED BY OTHERS

HEATER 2 IS MAIN HEATER. ALL COLD WATER MAKE UP AND FLOW GOES THROUGH HEATERS ~~AND/OR WATER HEATERS~~ WATER ON ANY DEMAND CALL option 1. C1 & C2 connected to individual tank aquastats. come on temperature decrease. option 2. C1 & C2 connected to control panel monitoring tank temperatures. pump 1 engages till demand is to large then pump 2 will engage.

EemaxTM

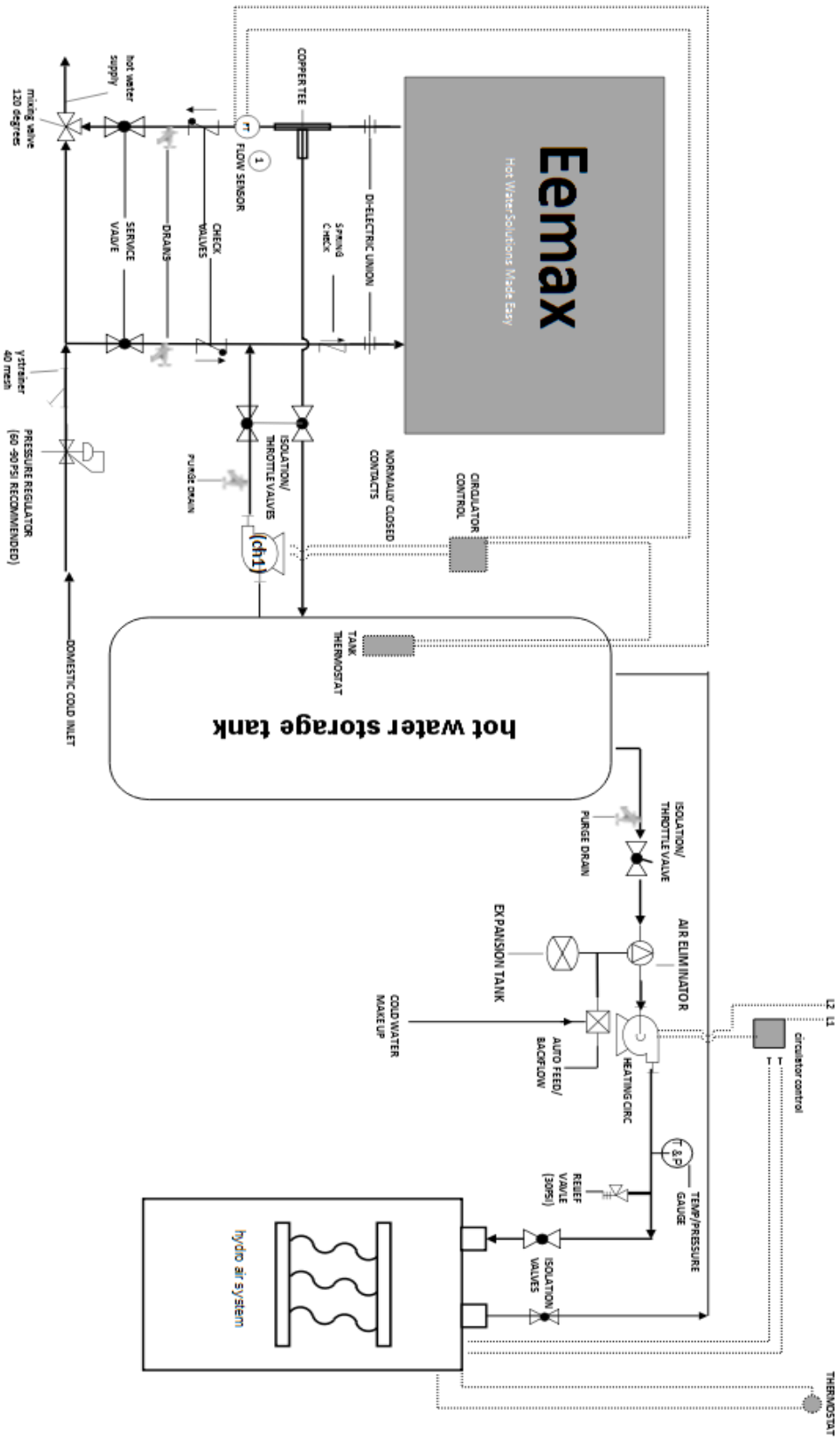
400 captain neville drive
waterbury, ct, 06075
1-800-543-6163
Eemax.Support@eemax.com

STORAGE TANKS WITH HIGH FLOW DEMAND CIRCULATORS/LOW FLOW DEMAND HEATER.

DRAWING IS A RECOMMENDATION ONLY.

THIS IS NOT AN ENGINEERING DRAWING; IT IS INTENDED ONLY AS A GUIDE AND NOT AS A REPLACEMENT FOR PROFESSIONAL ENGINEERING PROJECT DRAWINGS. THIS DRAWING IS NOT INTENDED TO DESCRIBE A COMPLETE SYSTEM, IT IS UP TO THE CONTRACTOR OR ENGINEER TO DETERMINE THE NECESSARY COMPONENTS AND CONFIGURATION OF THE PARTICULAR SYSTEM TO BE INSTALLED. THE DRAWING DOES NOT IMPLY COMPLIANCE WITH LOCAL BUILDING CODE REQUIREMENTS IT IS THE RESPONSIBILITY OF THE ENGINEER OR CONTRACTOR TO ENSURE THAT THE INSTALLATION IS IN ACCORDANCE WITH ALL LOCAL BUILDING CODES. CONFERR WITH LOCAL BUILDING OFFICIALS BEFORE INSTALLATION.

HOT WATER WITH SPACE HEATING



****MUST PURGE WATER HEATER FOR A MINIMUM OF 5 MINUTES AT A MINIMUM OF 15 GPM. OPEN AND CLOSE DRAIN VALVE WHILE PURGING TO REMOVE ANY AIRPOCKETS. ****

Eemax

400 CAPTAIN NEVILLE DRIVE
 WATERBURY, CT. 06075
 1-800-543-6163
 Eemax.Support@eemax.com

- NOTES:
- 1 FLOW SENSOR IN SERIES WITH TANK THERMOSTAT AND CIRCULATOR CONTROL (CH) ONCE FLOW IS DETECTED CIRCUIT OPENS TO PRIORITIZE HOT WATER

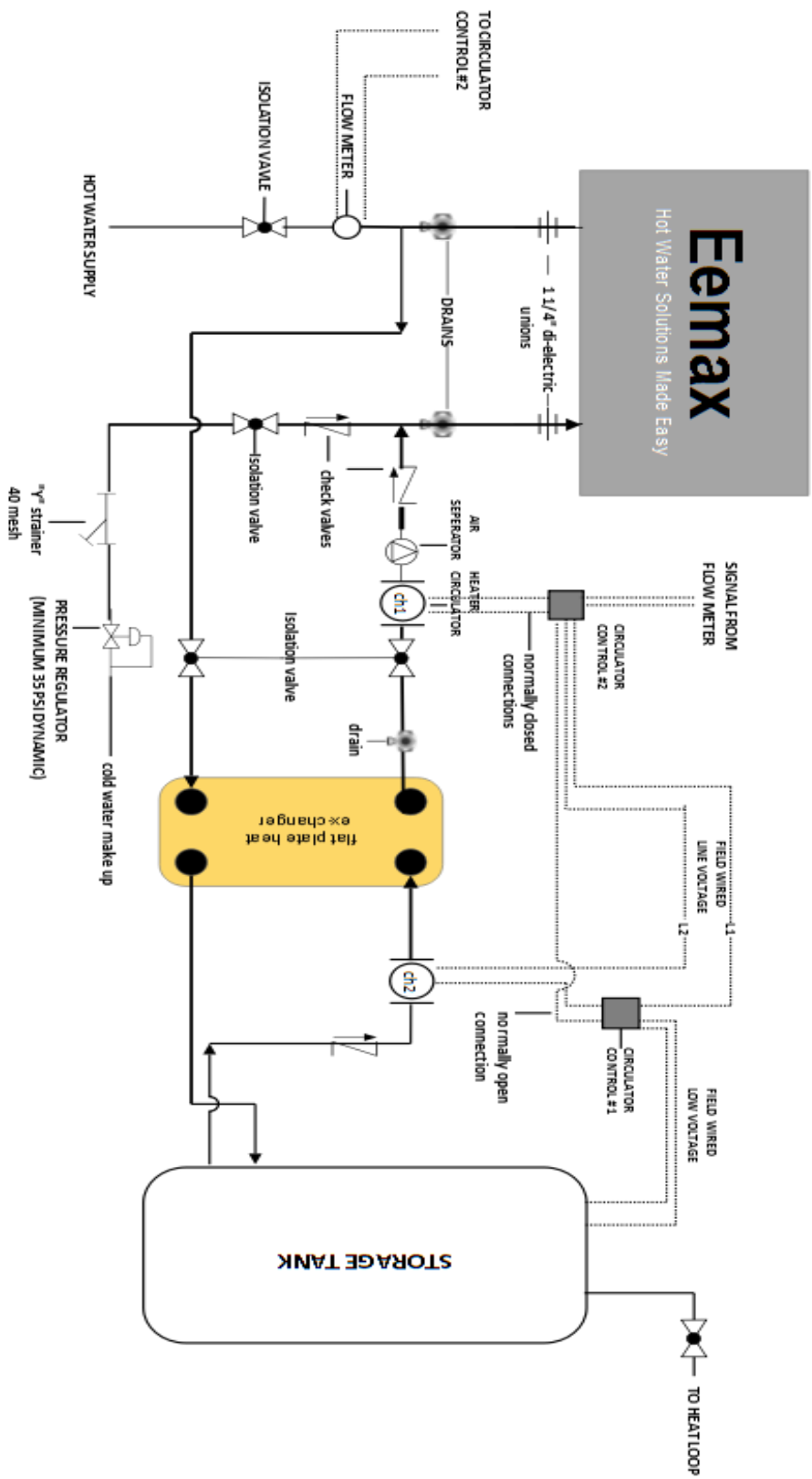
WATER HAMMER ARRESTOR MUST BE INSTALLED IF FAST ACTING VALVES ARE BEING USED

HOT WATER WITH SPACE HEATING.

DRAWING IS A RECOMMENDATION, ONLY

THIS IS NOT AN ENGINEERING DRAWING, IT IS INTENDED ONLY AS A GUIDE AND NOT AS A REPLACEMENT FOR PROFESSIONAL ENGINEERING PROJECT DRAWINGS. THIS DRAWING IS NOT INTENDED TO DESCRIBE A COMPLETE SYSTEM. IT IS UP TO THE CONTRACTOR OR ENGINEER TO DETERMINE THE NECESSARY COMPONENTS AND CONFIGURATION OF THE PARTICULAR SYSTEM TO BE INSTALLED. THE DRAWING DOES NOT IMPLY COMPLIANCE WITH LOCAL BUILDING CODE REQUIREMENTS. IT IS THE RESPONSIBILITY OF THE ENGINEER OR CONTRACTOR TO ENSURE THAT THE INSTALLATION IS IN ACCORDANCE WITH ALL LOCAL BUILDING CODES. CONFERENCE WITH LOCAL BUILDING OFFICIALS BEFORE INSTALLATION.

HOT WATER / SPACE HEATING



Eemax
Hot Water Solutions Made Easy

Notes:

AQUA STAT ON STORAGE TANK ENGAGES CIRCULATOR CONTROL #1.
 CH2 IS CONNECTED TO NORMALLY OPEN CONTACTS ON CONTROL #1.
 POWER IS SENT FROM CONTROL #1 TO THE COMMON TERMINAL ON
 CIRCULATOR CONTROL #2. CH1 IS CONNECTED TO THE NORMALLY CLOSED
 TERMINAL. WHEN FLOW METER DETECTS FLOW, IT SENDS A SIGNAL TO
 ENGAGE CONTROL #2 WHICH OPENS CH1 CIRCUIT.

EemaxTM

HOT WATER / SPACE HEATING

400 CAPTAIN NEVILLE DR.
 WATERBURY, CT. 06075
 1-800-543-6163
 Eemax.Support@eemax.com

DRAWING SCHEMATICS IS A RECOMMENDATION ONLY.
 THIS IS NOT AN ENGINEERING DRAWING. IT IS INTENDED ONLY AS A GUIDE AND NOT AS A REPLACEMENT FOR
 PROFESSIONAL ENGINEERING PROJECT DRAWINGS. THIS DRAWING IS NOT INTENDED TO DESCRIBE A COMPLETE
 SYSTEM. IT IS UP TO THE CONTRACTOR OR ENGINEER TO DETERMINE THE NECESSARY COMPONENTS AND
 CONFIGURATION OF THE PARTICULAR SYSTEM TO BE INSTALLED. THE DRAWING DOES NOT IMPLY COMPLIANCE
 WITH LOCAL BUILDING CODE REQUIREMENTS. IT IS THE RESPONSIBILITY OF THE ENGINEER OR CONTRACTOR TO
 ENSURE THAT THE INSTALLATION IS IN ACCORDANCE WITH ALL LOCAL BUILDING CODES, CONFER WITH LOCAL
 BUILDING OFFICIALS BEFORE INSTALLATION.